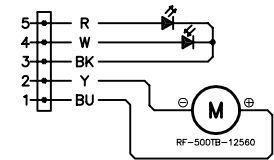


**DEC Motor Assembly**



**RA Motor Assembly**

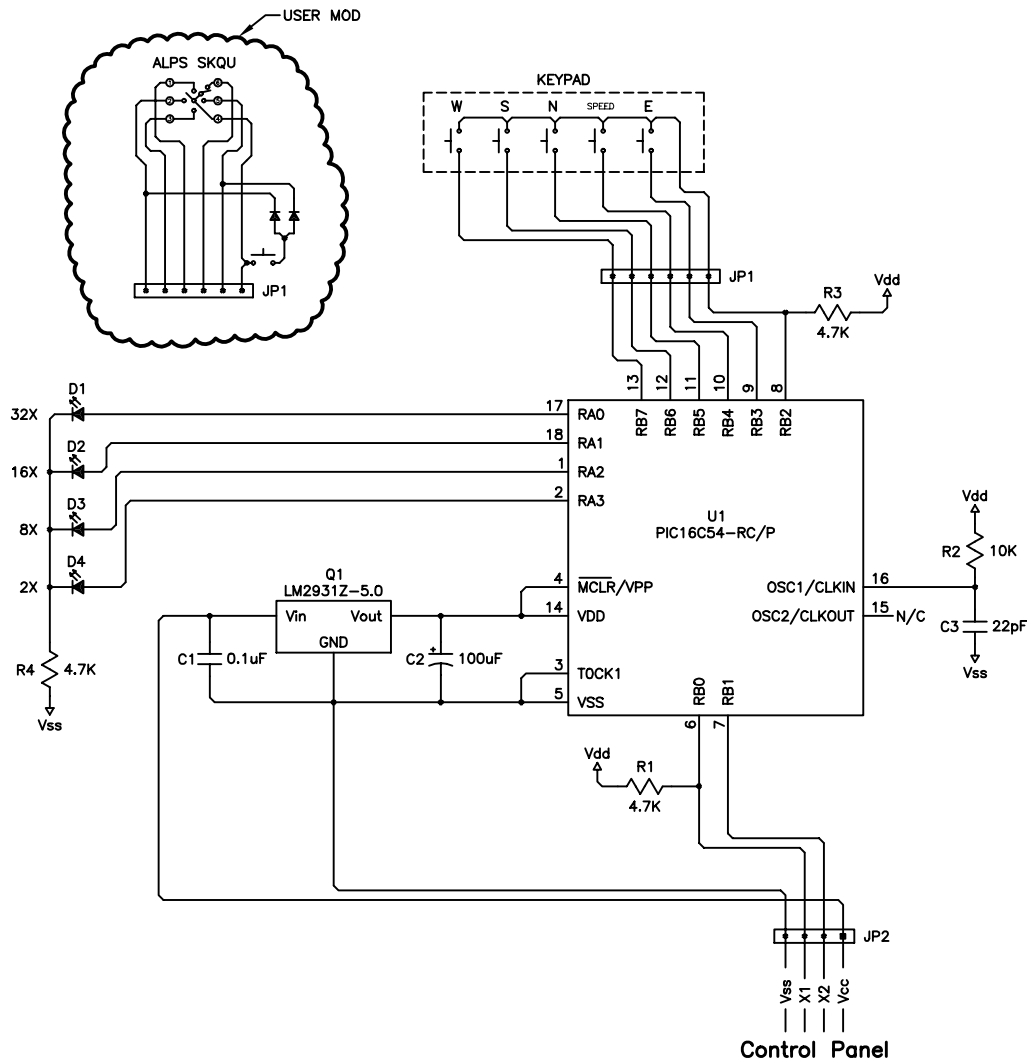
**Circuit Notes**

1. Circuit powered by either 9V battery pack or external 12V (nominal) power supply plugged into J6.  
Vcc: Positive rail of 9V/12V. Supplies RA/DEC motors via motor driver chip, handbox, and Aux(J5).  
Vdd: Positive rail of regulated 5V from LM2931 regulator. Provides circuit logic power.  
Vss: Common circuit 0V (ground) reference.
2. Note that the sleeves of the power(J6) and Aux(J5) jacks are connected to circuit ground, and the DEC motor jack(J4) sleeve is tied to one of the motor driver outputs. When servicing control board, replace insulating washers on jacks to avoid short circuit.

**Meade LX50 Control Panel**

Board: 15-0430-50 REV D

©1995 Meade Instruments



Circuit Notes

1. Circuit powered by 9V/12V power from control panel.  
Vcc: Positive rail of 9V/12V from control panel.  
Vdd: Positive rail of regulated 5V from LM2931 regulator. Provides circuit logic power.  
Vss: Common circuit 0V (ground) reference from control panel.

**Meade LX50 Hand Controller**  
**Board: 15-0437-50 REV A**  
 ©1995 Meade Instruments