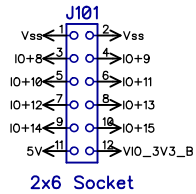
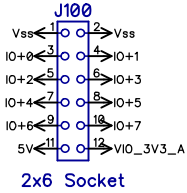
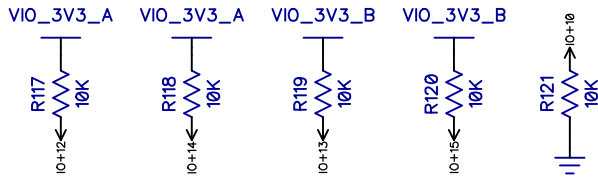


# HyperRAM and HyperFLASH

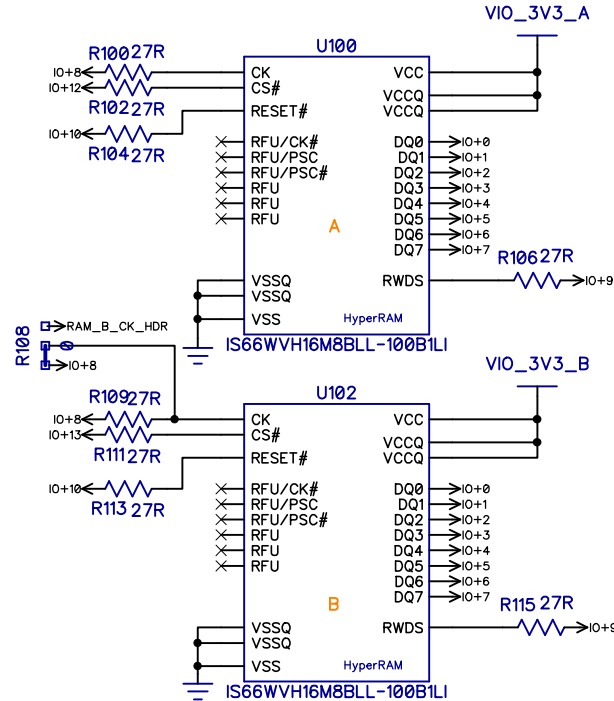
## Edge expansion socket (Dual)



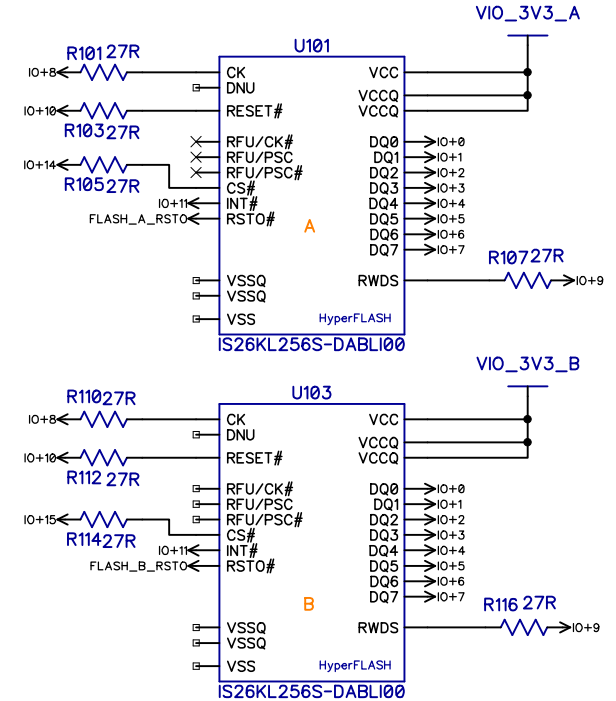
## Pullups / Pulldowns



## 32MB HyperRAM



## 64MB HyperFLASH



Parallax Inc.  
 599 Menlo Drive  
 Rocklin, CA 95765

(916) 624-8333  
<http://www.parallax.com/>

## Parallax P2X8C4M64P-ES HyperMemory Accessory

ENGINEERING SAMPLE - NOT FOR RESALE  
 PRE-PRODUCTION EVALUATION

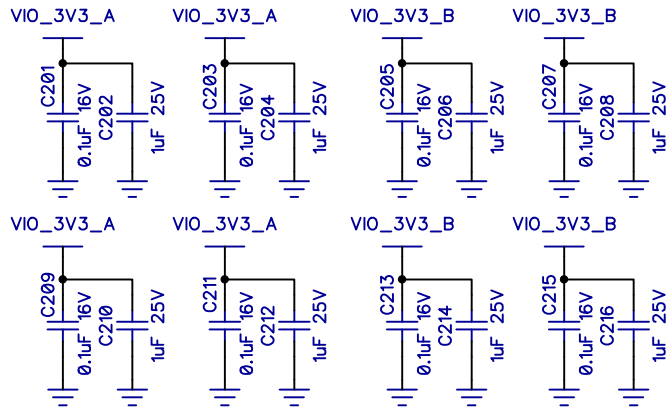
Copyright 2019 Parallax Incorporated. All Rights Reserved.

Part Number: 64004-ES  
 Revision: A

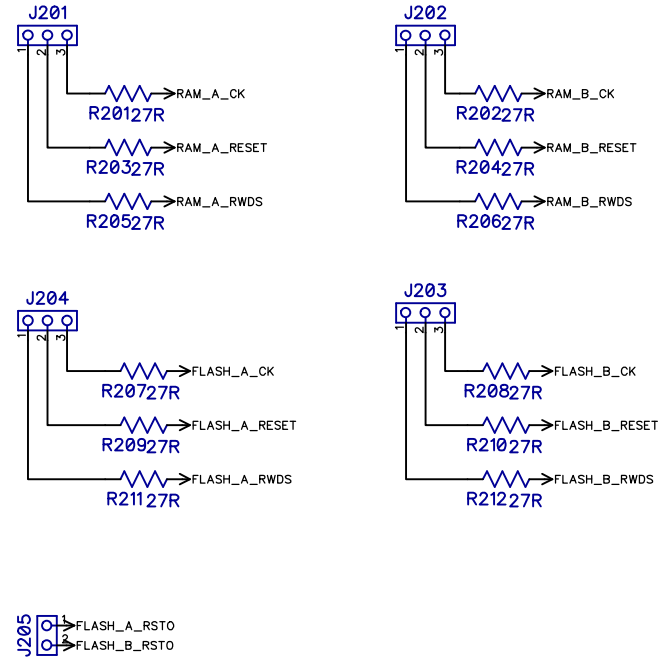
Last Update: 25 Jun 2019 (MM)

# Decoupling and Breakouts

## VCCQ Decoupling



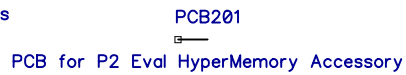
## Signal breakout options



## Mounting holes



## BOM only - mfg



Parallax Inc.  
599 Menlo Drive  
Rocklin, CA 95765

(916) 624-8333  
<http://www.parallax.com/>

## Parallax P2X8C4M64P-ES HyperMemory Accessory

ENGINEERING SAMPLE - NOT FOR RESALE  
PRE-PRODUCTION EVALUATION

Copyright 2019 Parallax Incorporated. All Rights Reserved.

Part Number: 64004-ES  
Revision: A

Last Update: 25 Jun 2019 (MM)