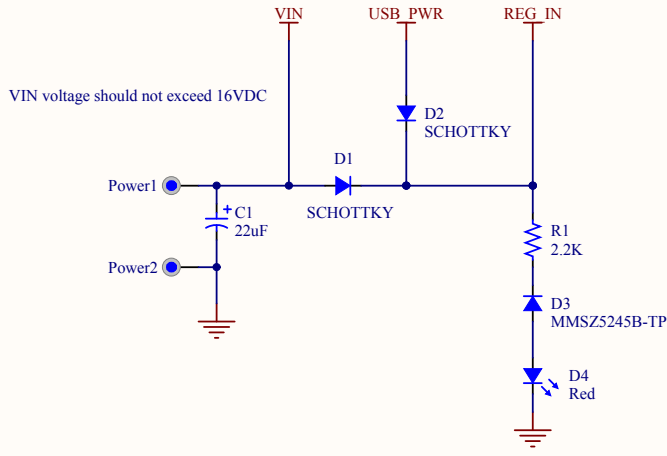
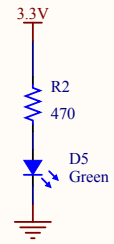


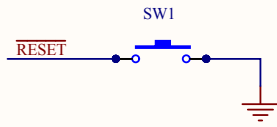
EXTERNAL POWER CONNECTION (VIN)



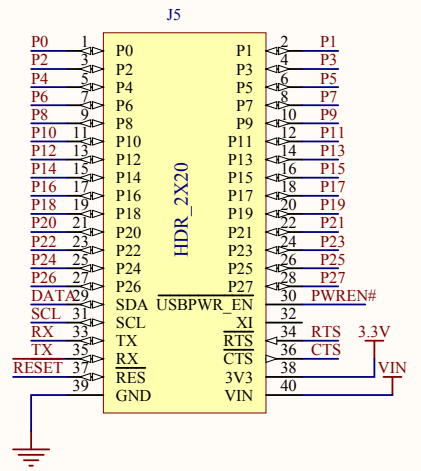
POWER LED



RESET SWITCH

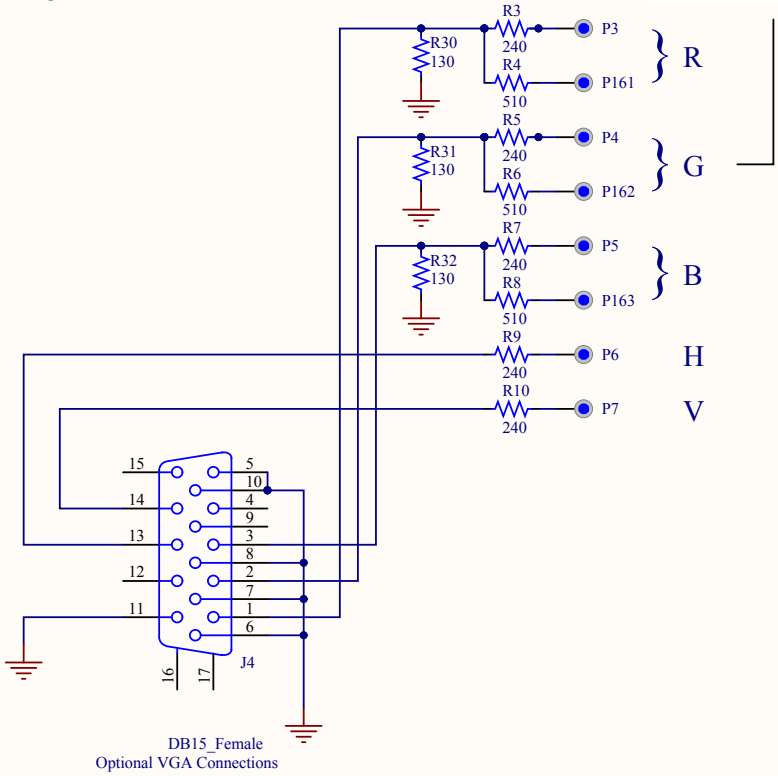


QUICKSTART HEADER

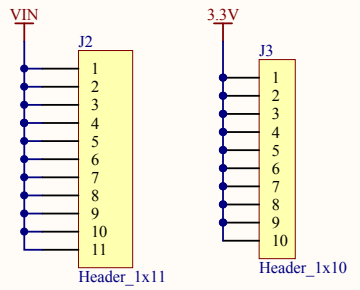


These three sets of two resistors form .7 volt, 75ohm, 2-bit DACs that are used to generate red, green and blue.

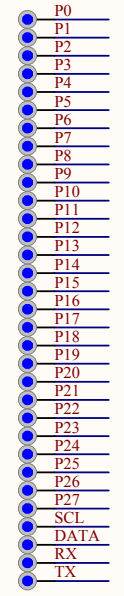
VGA CONNECTIONS



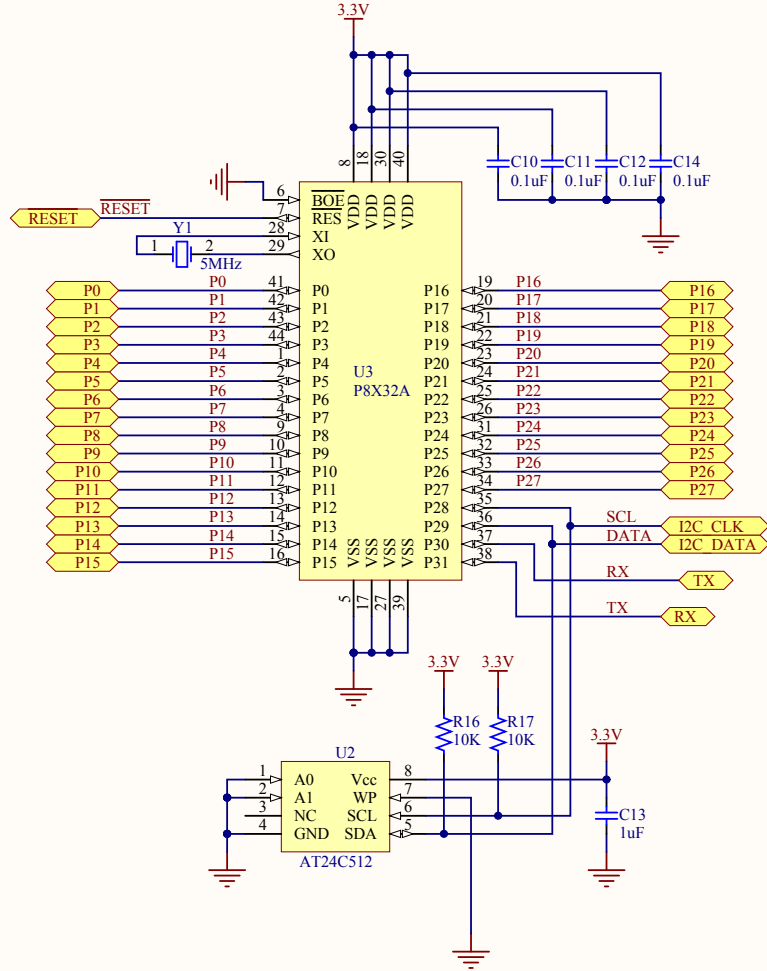
VIN & 3.3V HEADERS




PROPELLER EXTERNAL I/O

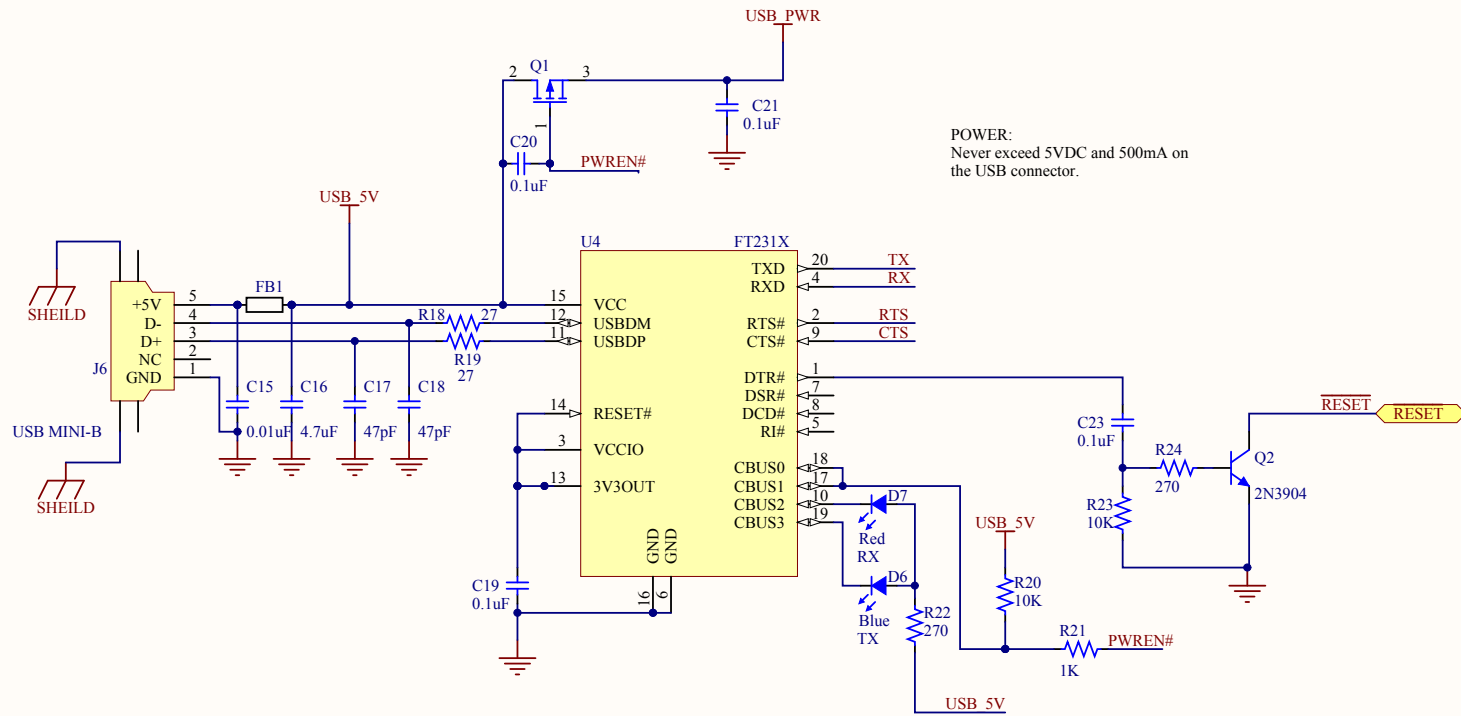


Propeller Circuit




Sheet: Propeller.SchDoc		Size: Letter
Description: Schematic, Propeller Circuit		
Project: Propeller Project Board USB	Part #: 32810	Rev: C, D
	599 Menlo Drive Rocklin, CA 95765 www.parallax.com	Date: 1/19/2016 Sheet 2 of 5 Drawn By: C. Kevin

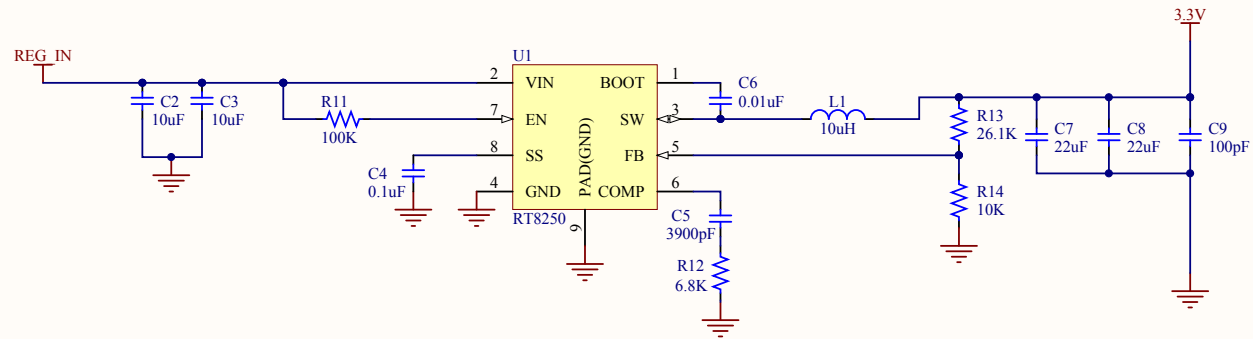
USB Connection PWR/UART




POWER:
Never exceed 5VDC and 500mA on
the USB connector.

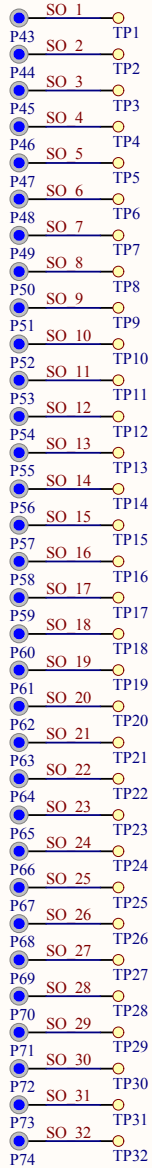
Sheet: USB_FTDI.SchDoc		Size: Letter
Description: Schematic, USB Connection		
Project: Propeller Project Board USB	Part #: 32810	Rev: C
 599 Menlo Drive Rocklin, CA 95765 www.parallax.com		Date: 1/19/2016 Sheet 3 of 5 Drawn By: C. Kevin

3.3V Fixed Switching Regulator

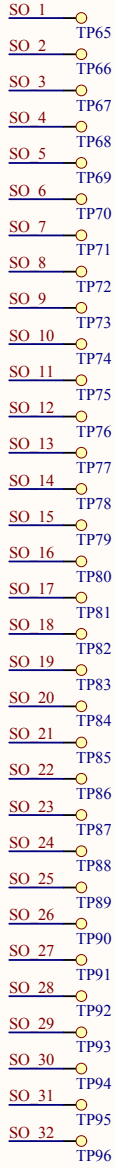


Sheet: 3.3V_SWT_REG.SchDoc		Size: Letter
Description: Schematic, 3.3V Regulator		
Project: Propeller Project Board USB	Part #: 32810	Rev: C
	599 Menlo Drive Rocklin, CA 95765 www.parallax.com	Date: 1/19/2016 Sheet 4 of 5 Drawn By: C. Kevin

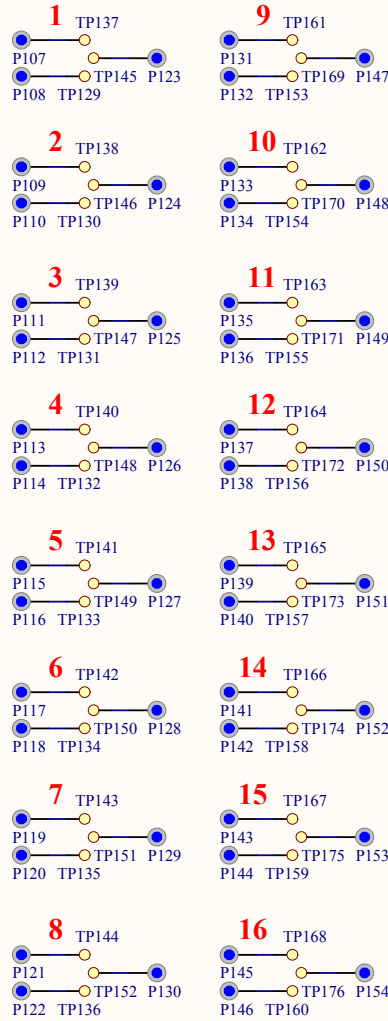
SO-64 Top



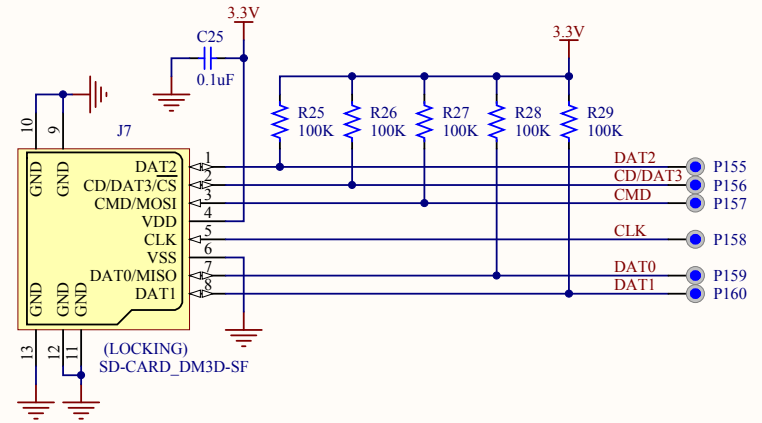
SO-64 Bottom



SOT23



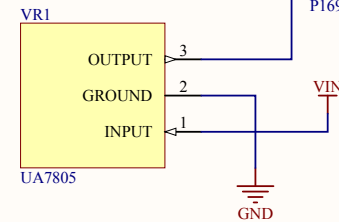
Micro SD



8 PIN Bridge



LDO PAD (TO-263)



Sheet: SMT.SchDoc	Size: Letter
Description: Schematic for DIY SMT Parts	
Project: Propeller Project Board USB	Part #: 32810
Rev: C	Date: 1/19/2016
599 Menlo Drive Rocklin, CA 95765 www.parallax.com	Sheet 5 of 5 Drawn By: C. Kevin