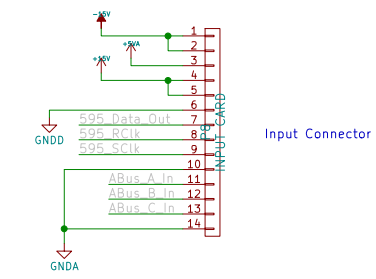
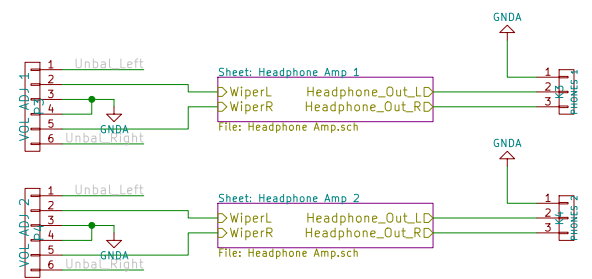
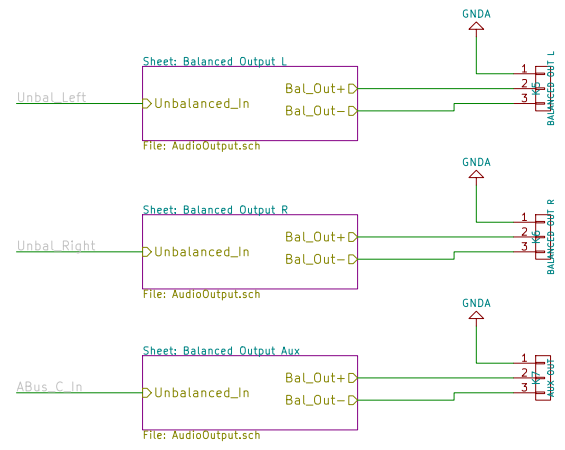
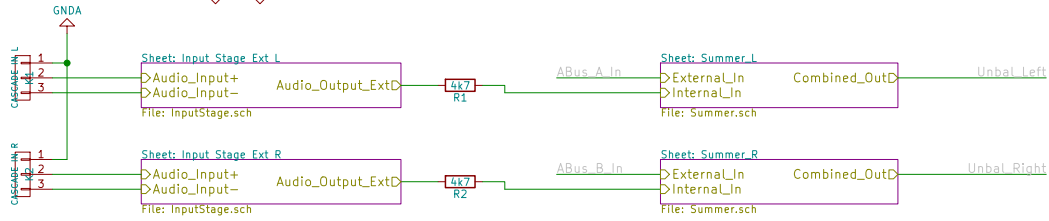
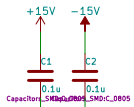
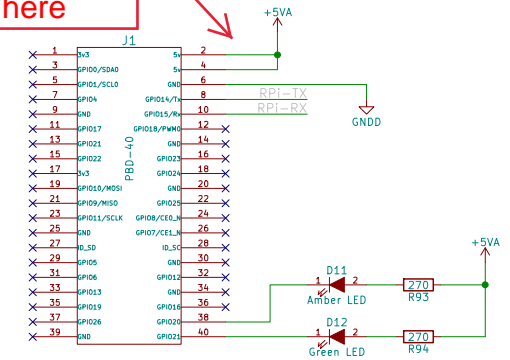
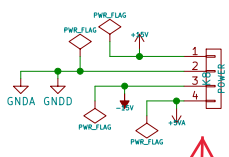
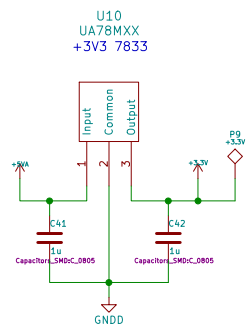


RPi power connected here

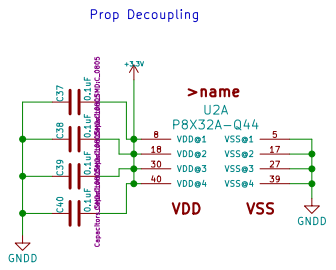
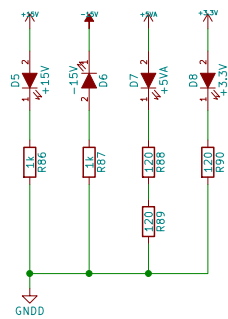


See Page 2

File: Power.sch



Added 100uF 63V caps between GND and all three power rails. Reduced the frequency of the audible noise, but still very noticable through the headphones.



WorldStage, Inc		
Sheet: /Power/		
File: Power.sch		
Title: Power		
Size: B	Date: 24 oct 2013	Rev: 2
KiCad E.D.A. eeschema 4.0.4-stable		Id: 10/15