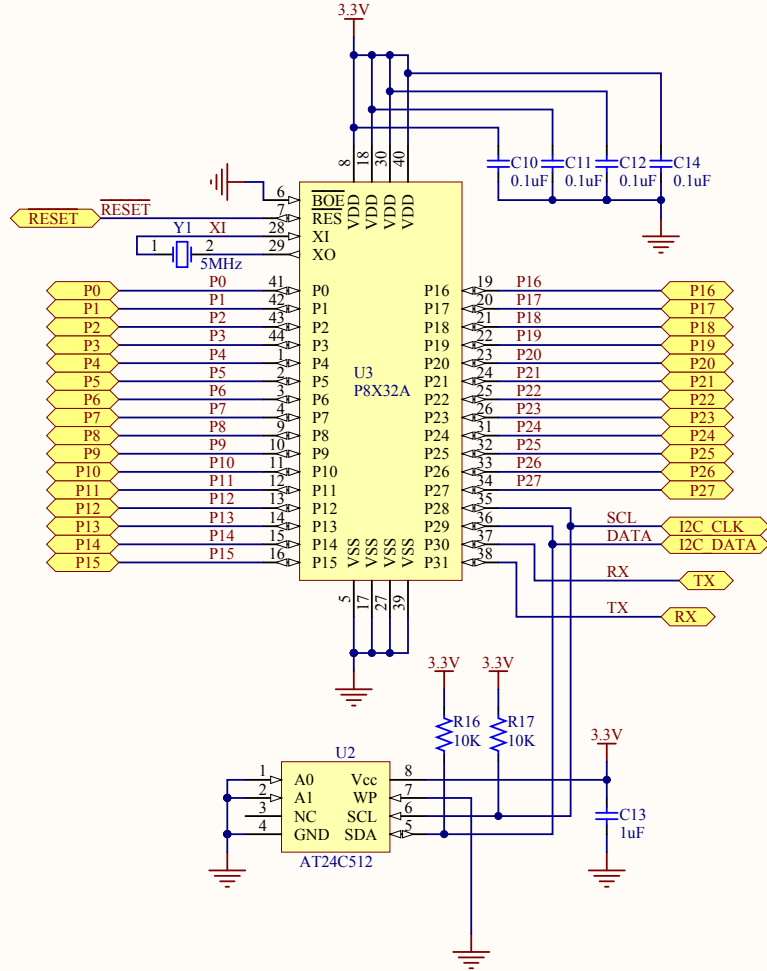



Propeller Circuit



Sheet: Propeller.SchDoc		Size: Letter	
Description: Schematic, Propeller Circuit			
Project: Propeller Project Board USB		Part #: 32810	Rev: A
		599 Menlo Drive Rocklin, CA 95765 www.parallax.com	
		Date: 12/3/2012 Sheet 2 of 5 Drawn By: C. Kevin	