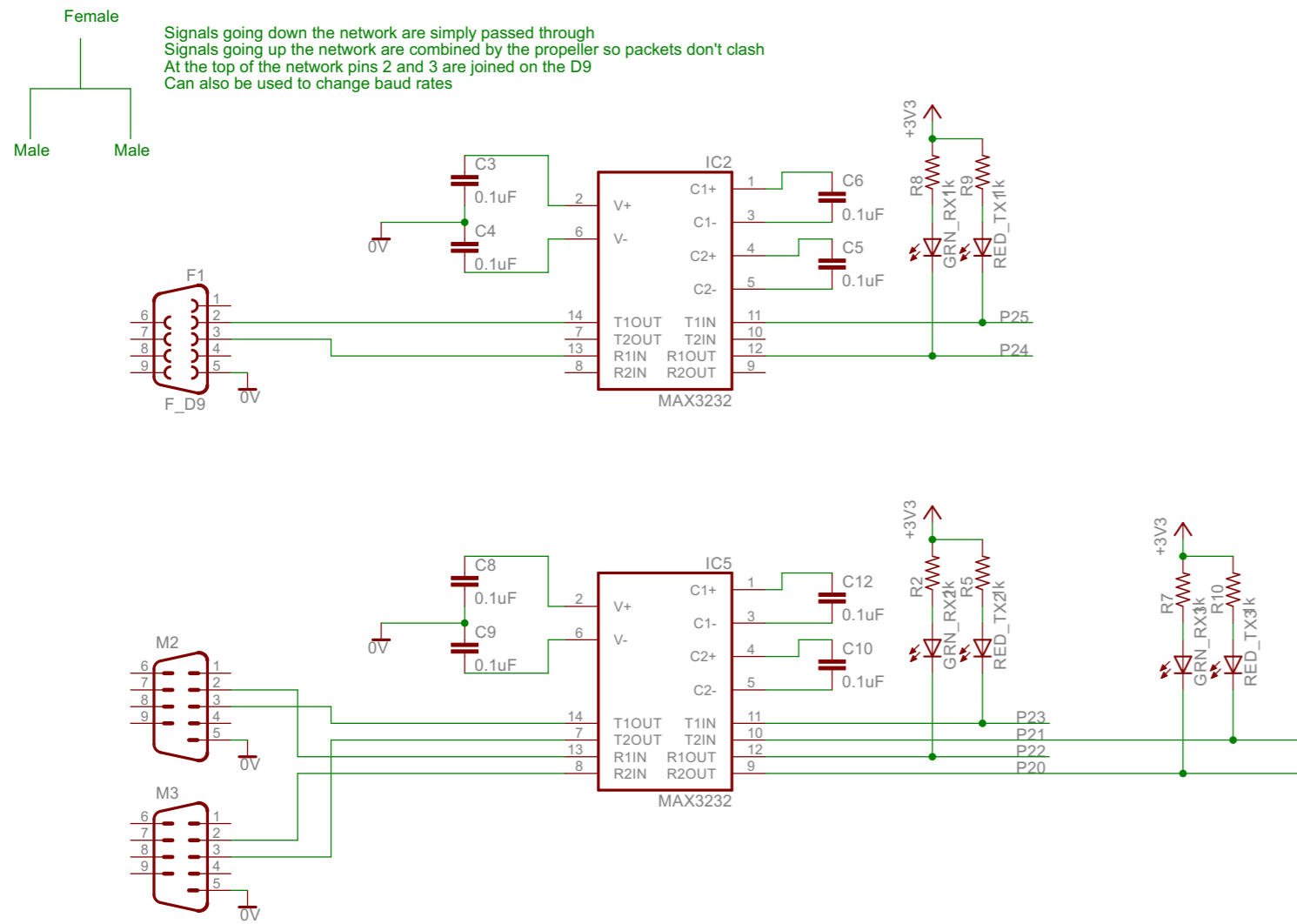
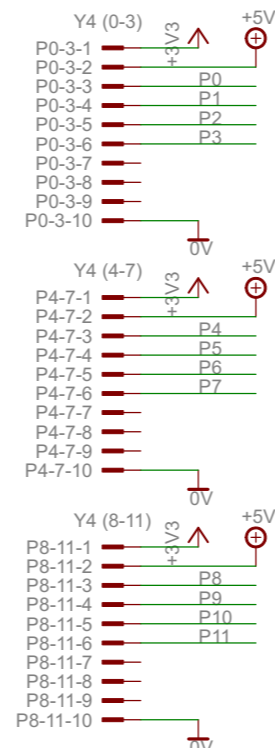


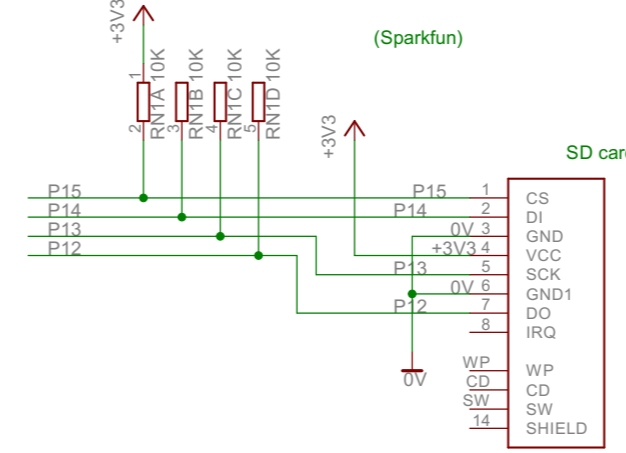
RS232 Router



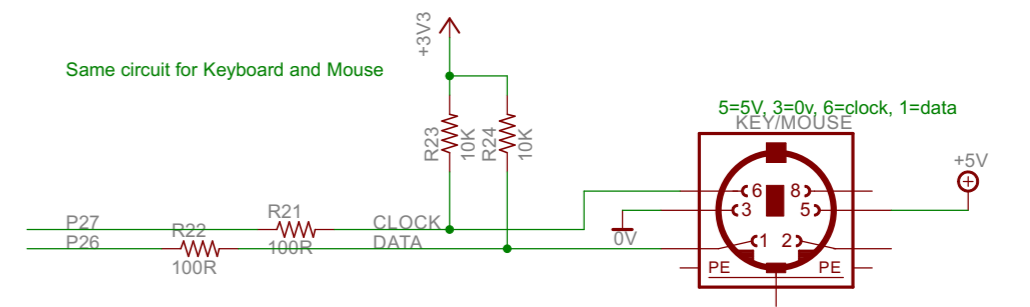
Spare Pins



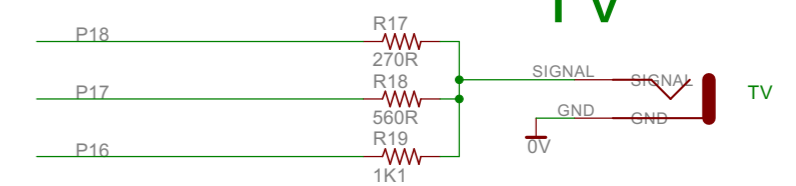
SD Card



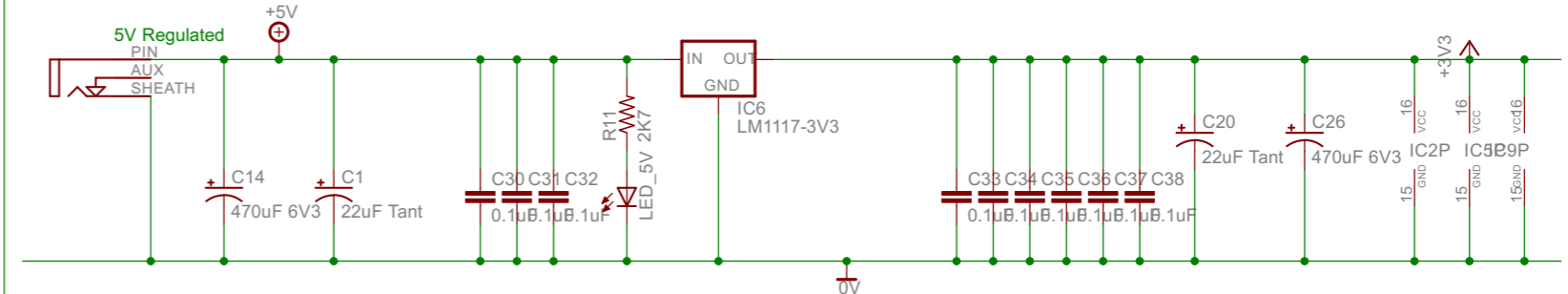
Keyboard



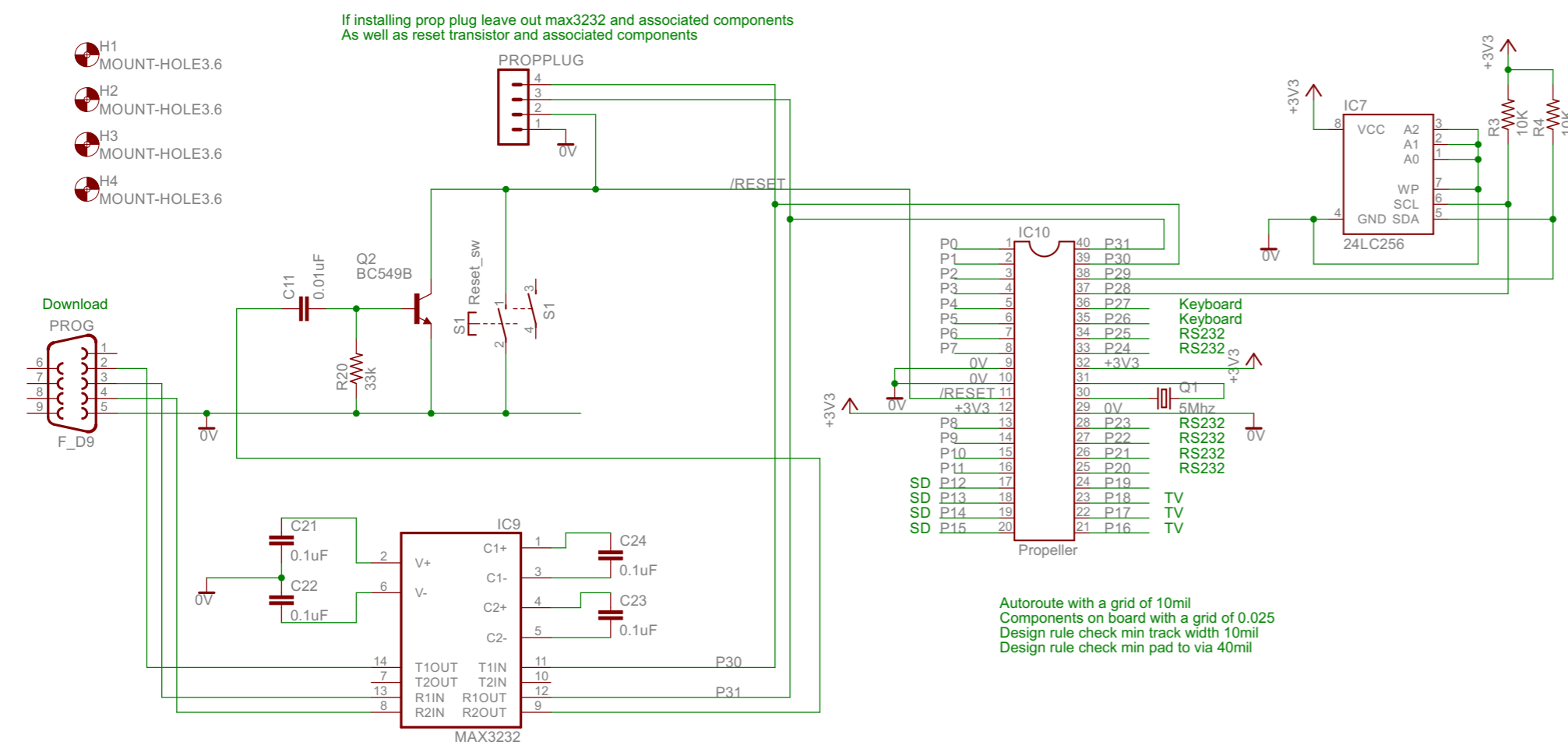
TV



Regulator



Propeller



Real World I/O (Arduino Layout)

