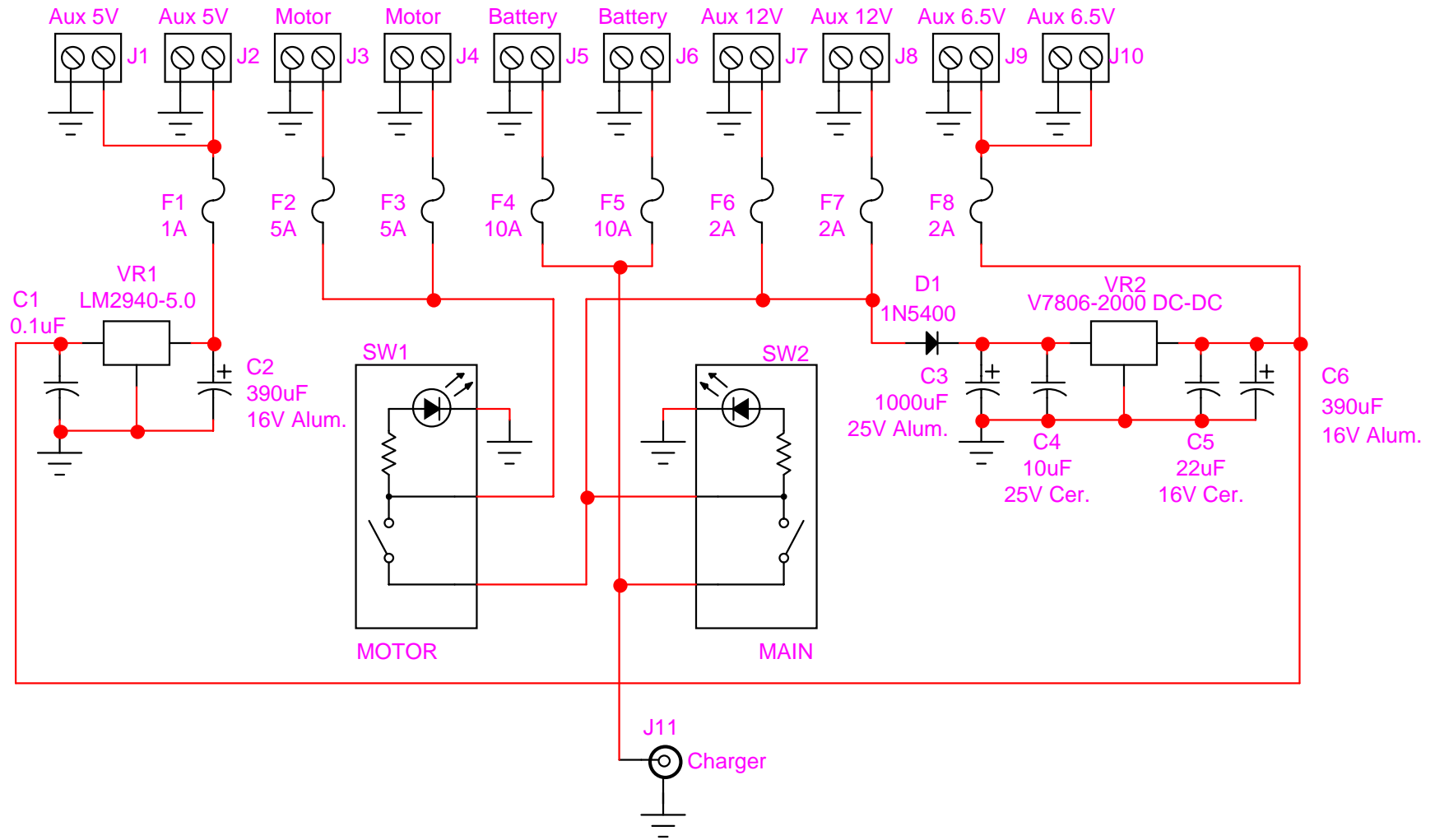


Arlo Power Distribution Board #28996 Rev A



File: arlo_pwr_dist.cct
Drwn: Phil Pilgrim
Date: 1 March 2014