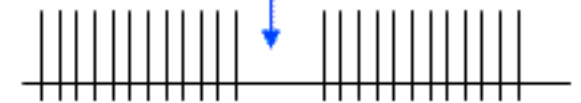
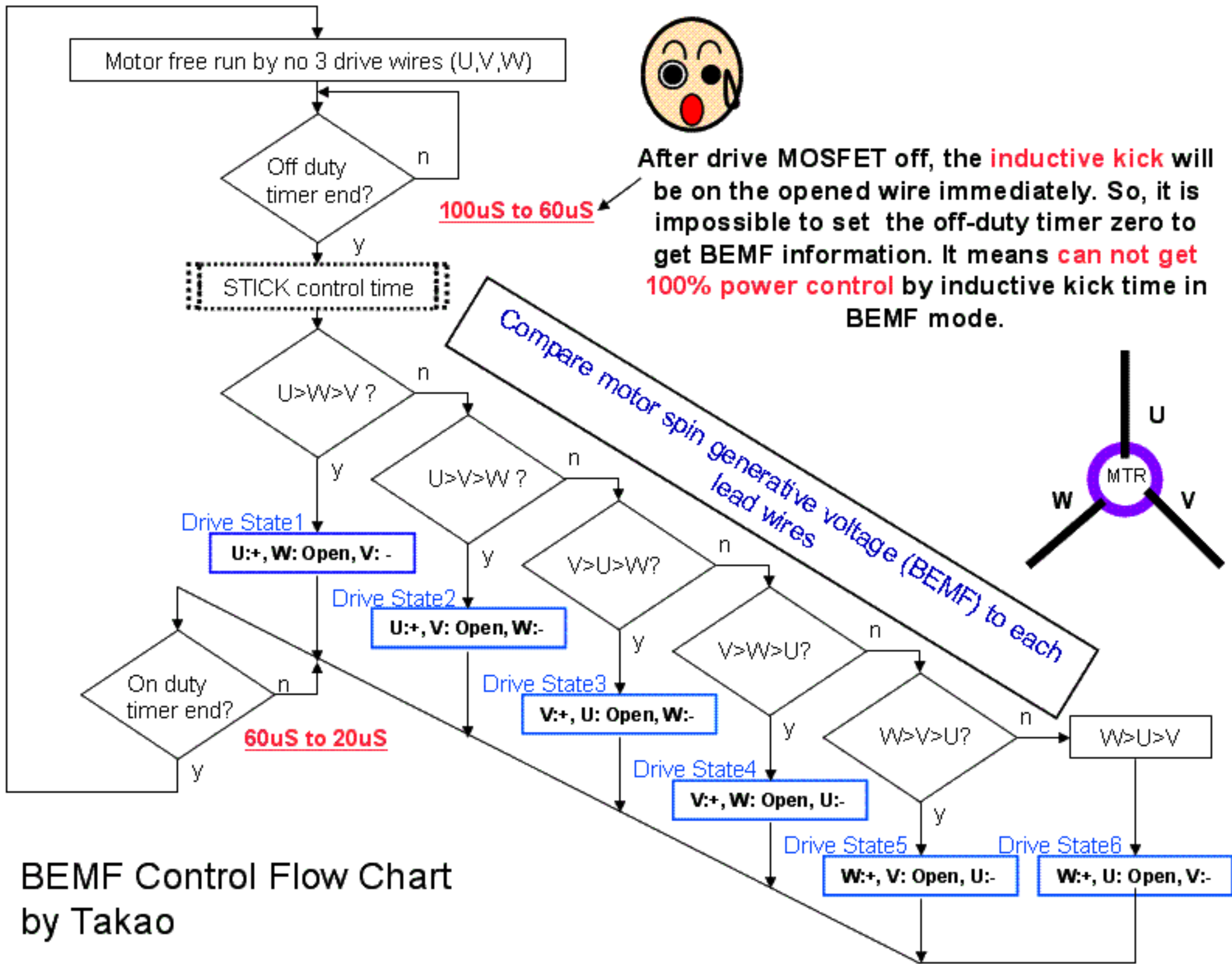


Each step should use magnetic braking (like All MOSFET "L", not 3st.) at off duty as stepping motor drive to get sync.



Need the comparator data re-check to get correct data in small signal

Start sequence for BL-ESC flow chart by Takao

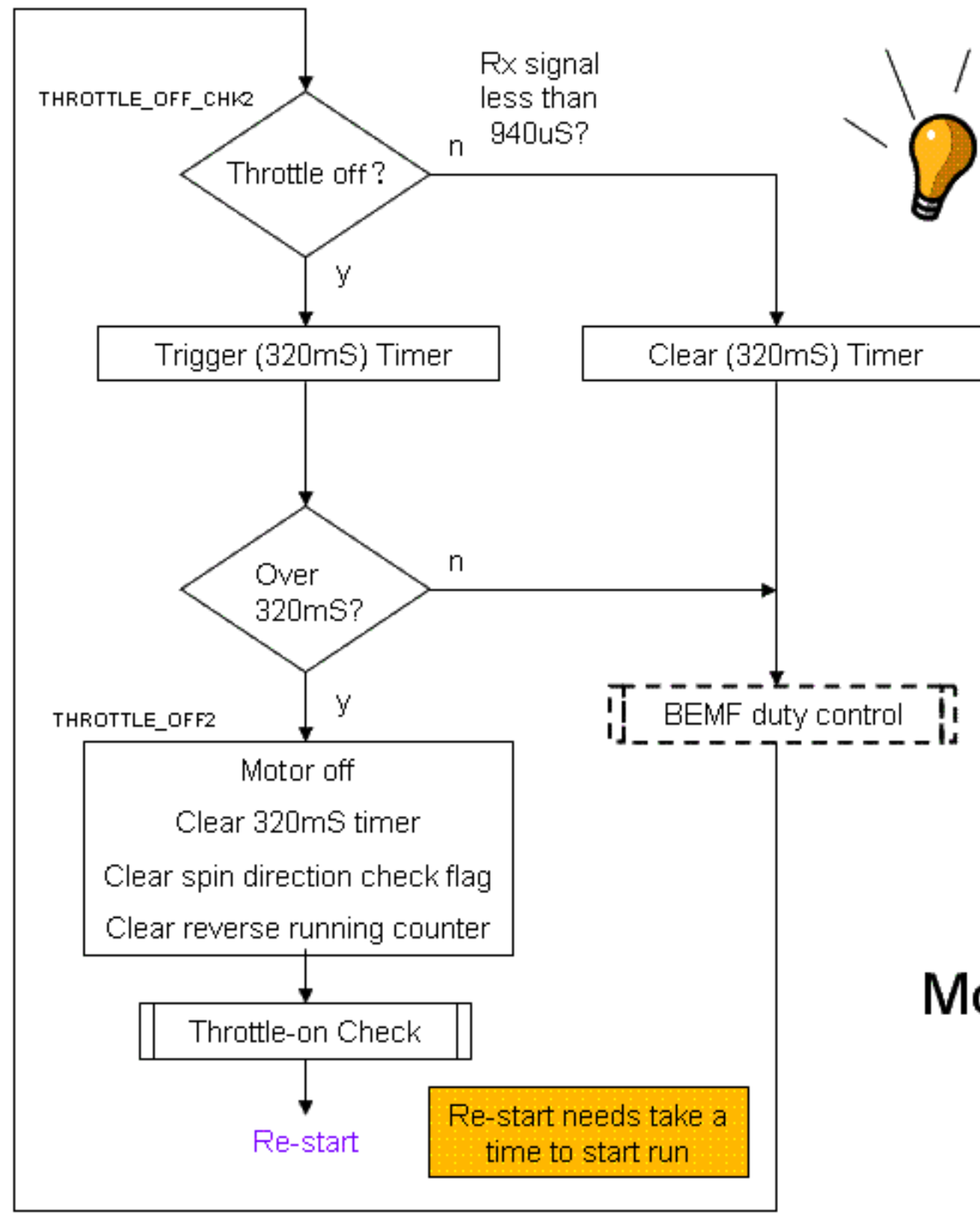


BEMF Control Flow Chart by Takao



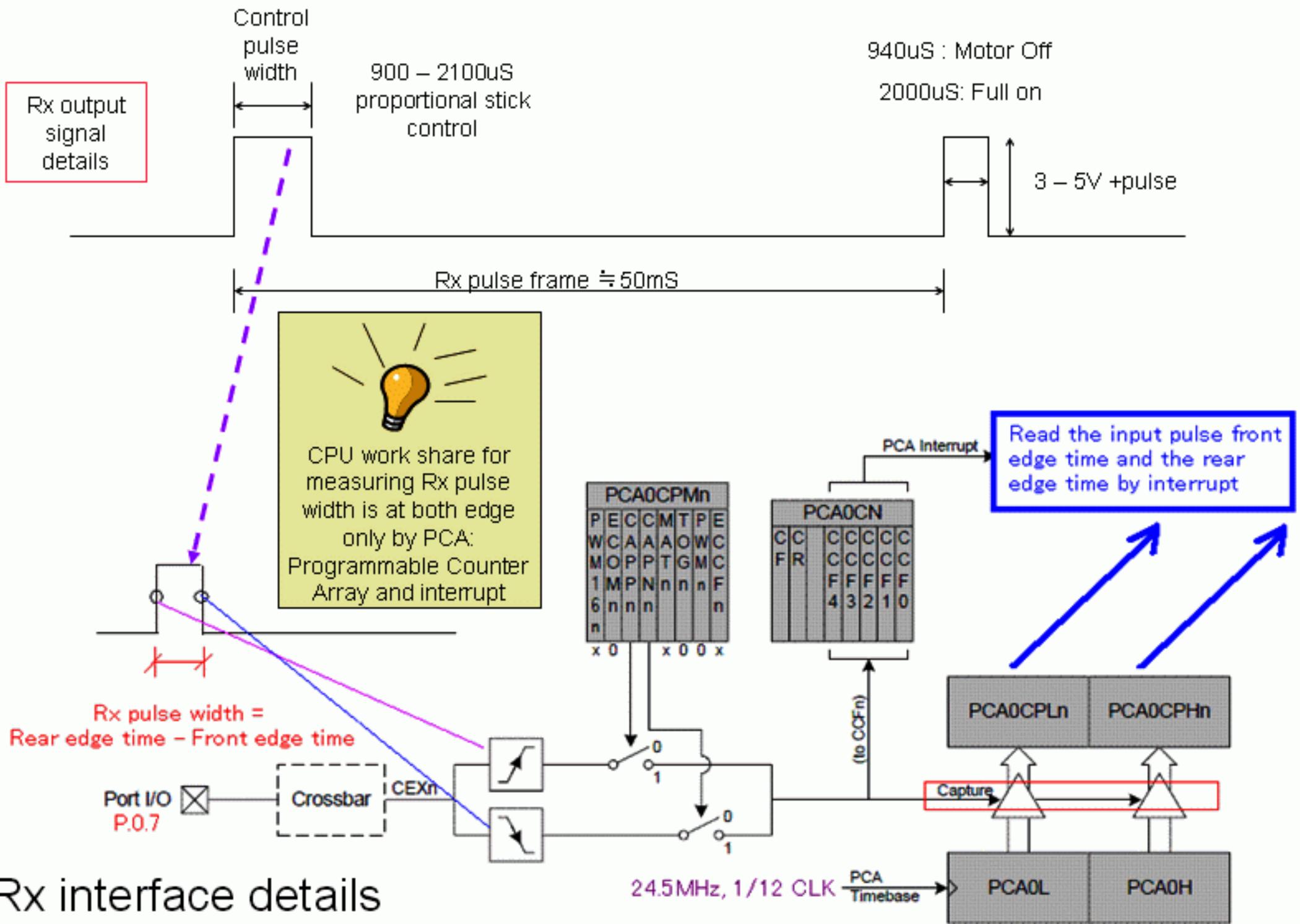
PPM receiver hiccups at the dead point in air. It makes motor off signal unexpected.

320mS: 16bit internal timer one loop time and usual one Rx signal frame timing is <50mS



Re-start needs take a time to start run

Motor off control routine in BEMF mode by Takao



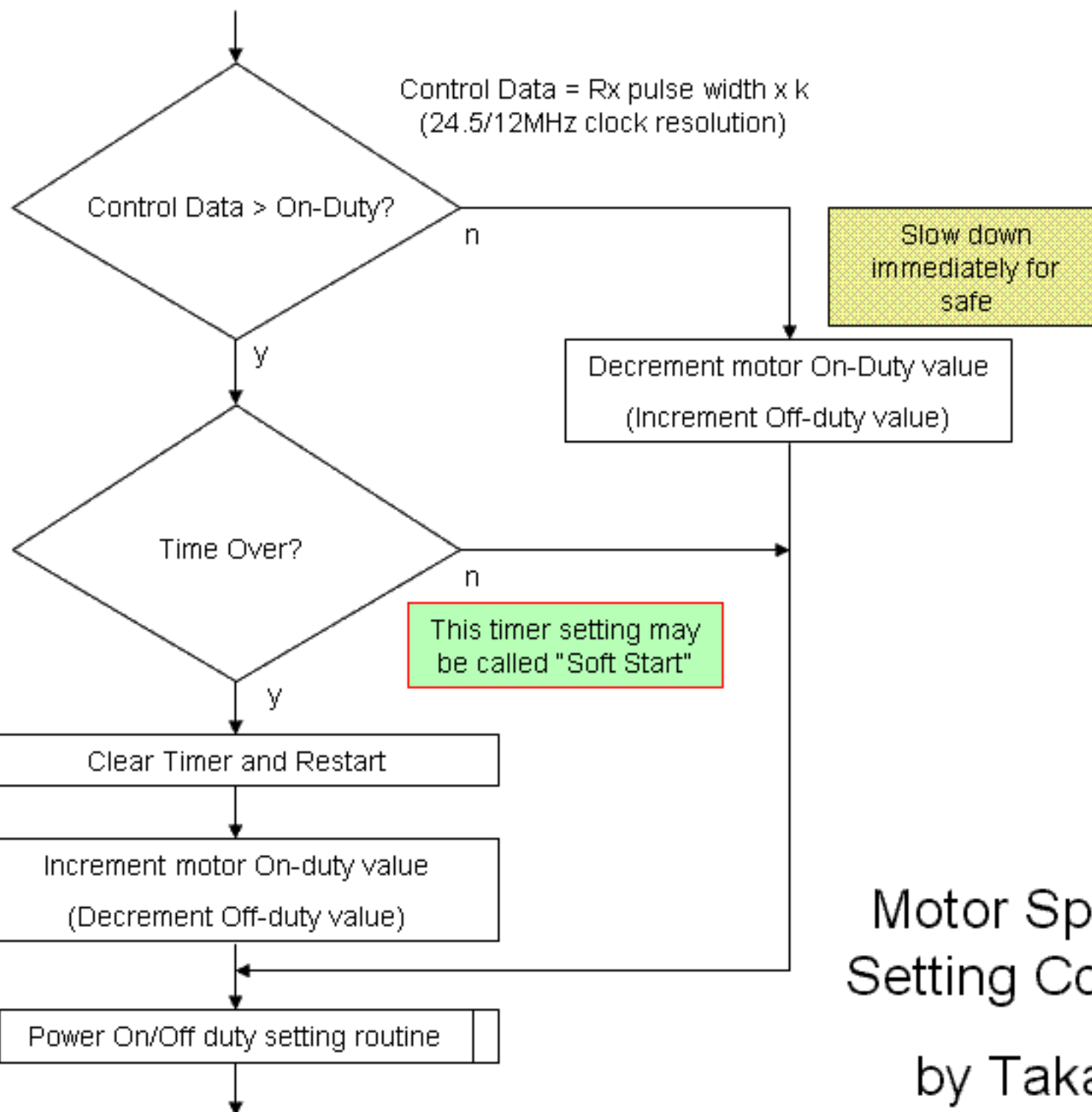
Rx interface details
by Takao

Figure . PCA Capture Mode Diagram

16bit free run 32mS loop counter

Stick Control

Control Data = Rx pulse width x k
(24.5/12MHz clock resolution)



Slow down immediately for safe

Decrement motor On-Duty value
(Increment Off-duty value)


This timer setting may be called "Soft Start"

Clear Timer and Restart

Increment motor On-duty value
(Decrement Off-duty value)

Power On/Off duty setting routine

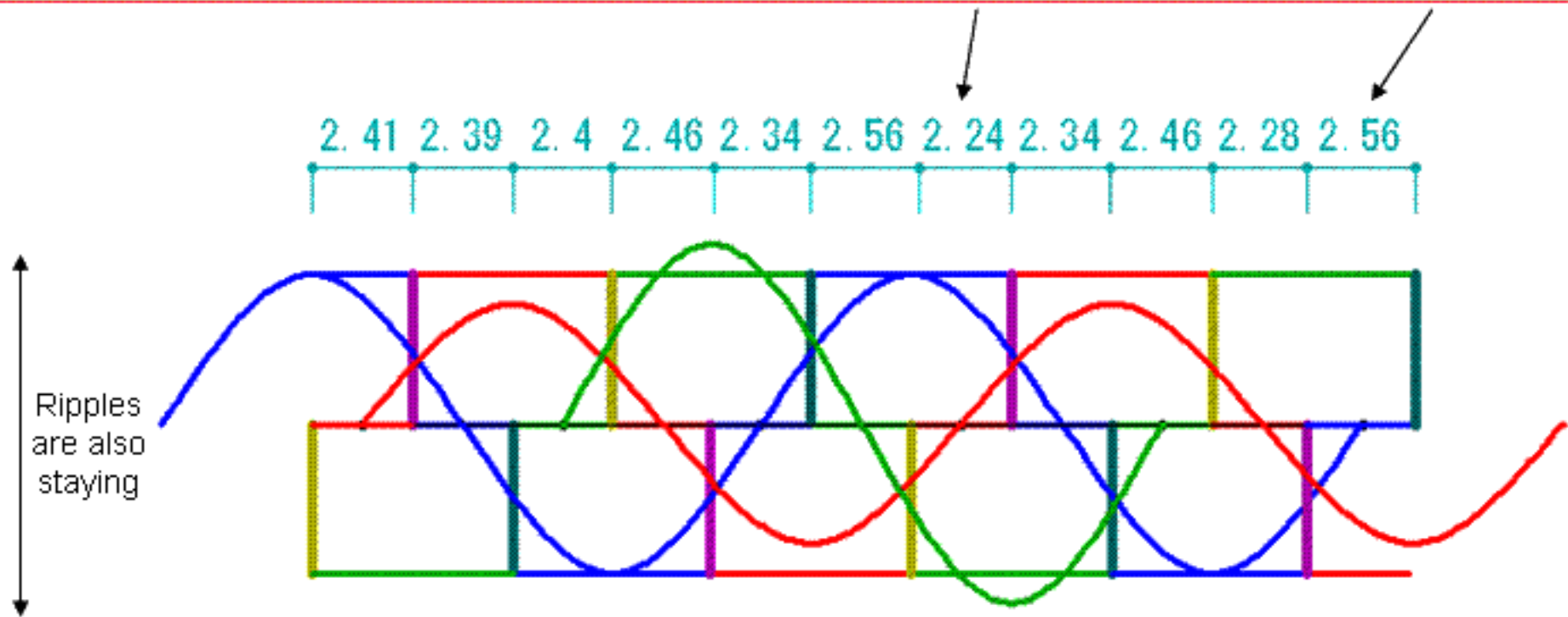
Can not drive big prop?



Acceleration should be slowly to avoid out of phase as motor stall

Motor Speed Setting Control
by Takao

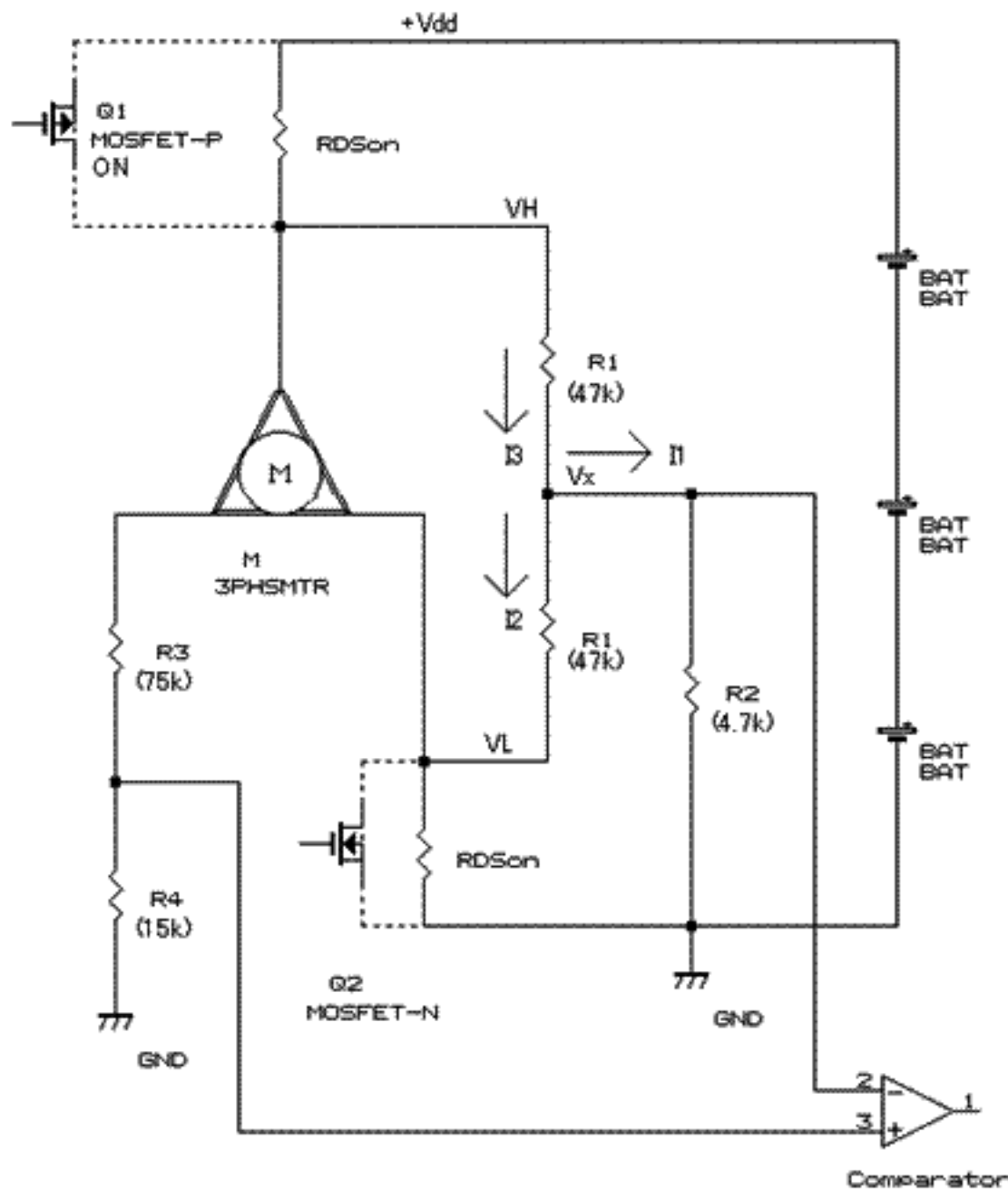
Consider the jitter of each state timing. It is never constant while spinning. Also, mechanical settings as coil turn tolerance, prop balance and magnet force are not precisely constant. Then, you may set ON_DUTY value constant roughly.



The BEMF Sampling time must be less than 1/6 one spin frame time to get drive sync.
I use min. 1/36 by sampling count routine in one frame
(as min. 6 sample counts/state) and adjust sampling
frequency automatically by software.



Some
considerations
for spin control
by Takao



$$I_3 = (V_H - V_x) / R_1$$

$$I_2 = (V_x - V_L) / R_1$$

$$I_1 = V_x / R_2$$

$$I_3 = I_2 + I_1$$

$$(V_H - V_x) / R_1 = ((V_x - V_L) / R_1) + (V_x / R_2)$$

$$(V_H - V_x) = ((V_x - V_L)) + (V_x \cdot R_1 / R_2)$$

$$V_H + V_L = 2(V_x + V_x \cdot R_1 / R_2)$$


$$\text{Zero Cross Point: } (V_H + V_L) / 2 = V_x(1 + R_1 / 2 \cdot R_2)$$

at $R_1 / R_2 : 47k / 4.7k$

$$\text{Zero Cross Point} = V_x(1 + 10 / 0.2) = 6 \cdot V_x \leftarrow \text{Almost } 1/2 V_{dd}$$

$$\text{Hence } R_3 : R_4 = 5 : 1$$

N and P-channel MOSFET's $R_{ds\ on}$ (ON Resistance drain-source) should be considered to get precise zero cross point for maximum power control

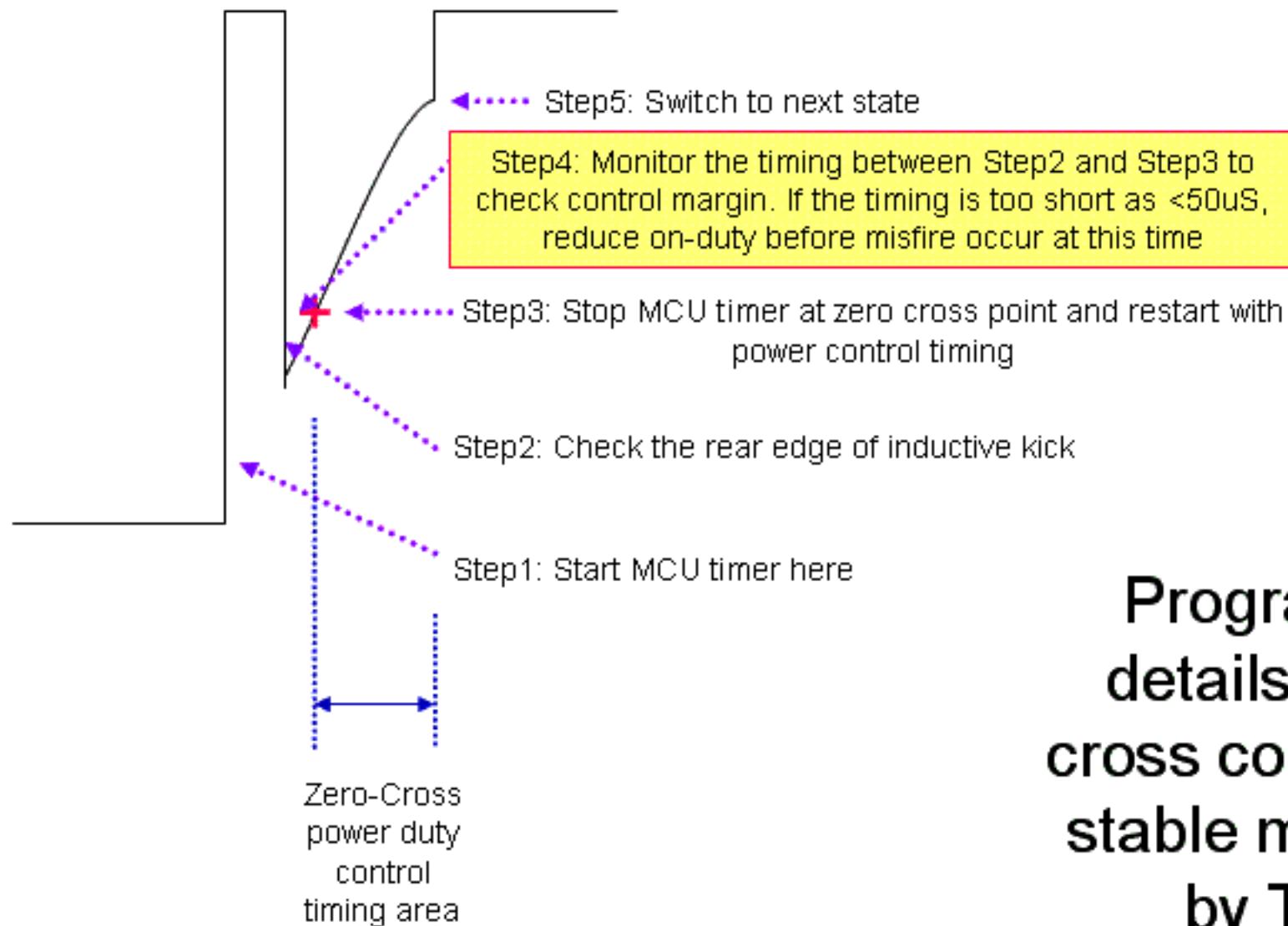


Precise Zero Cross Point Detection

by Takao

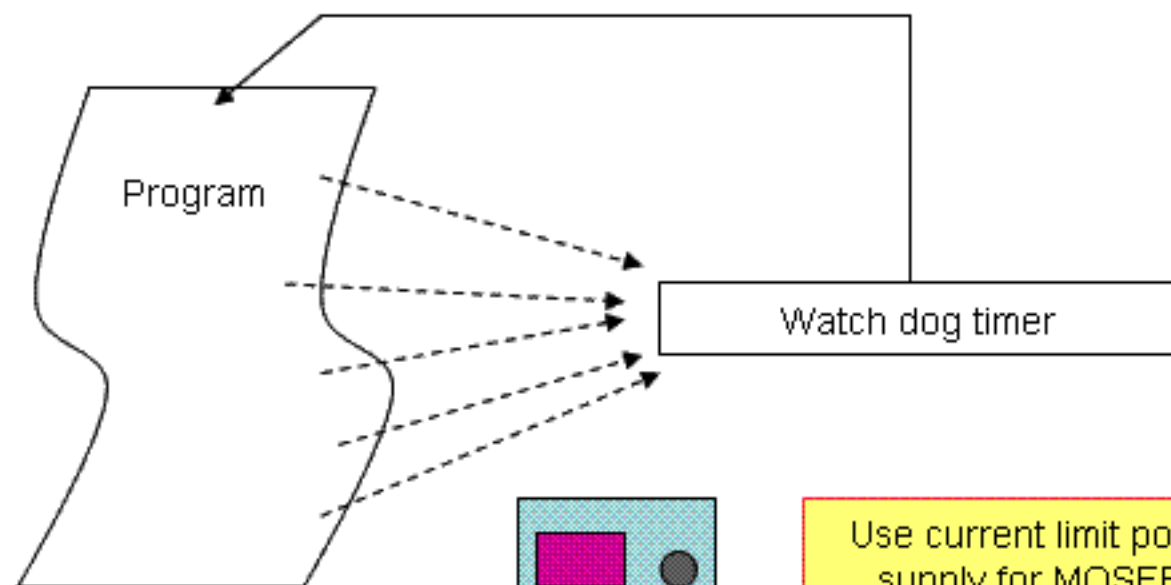
Misfire Check for Zero-Cross Power Control

The inductive kick is always exist after MOSFET off

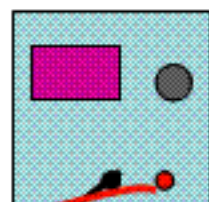


Programming details for zero cross control to get stable max power by Takao

System Reset

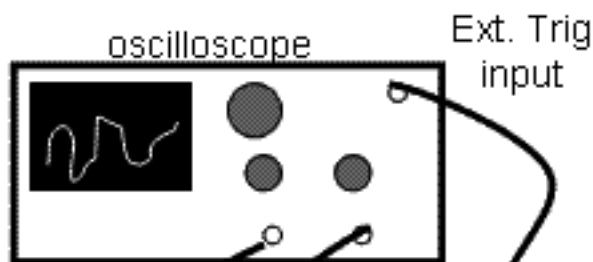


Watch dog timer can not protect devices, just for program over run happening system reset



Use current limit power supply for MOSFET protection in testing and debugging

Watch and Monitor power voltage dip to find bug



Motor control software never halt and most of brake point info. is garbage for dynamic control. So, the monitor programming for scope trigger by output port is quite useful for debugging.



Debugger

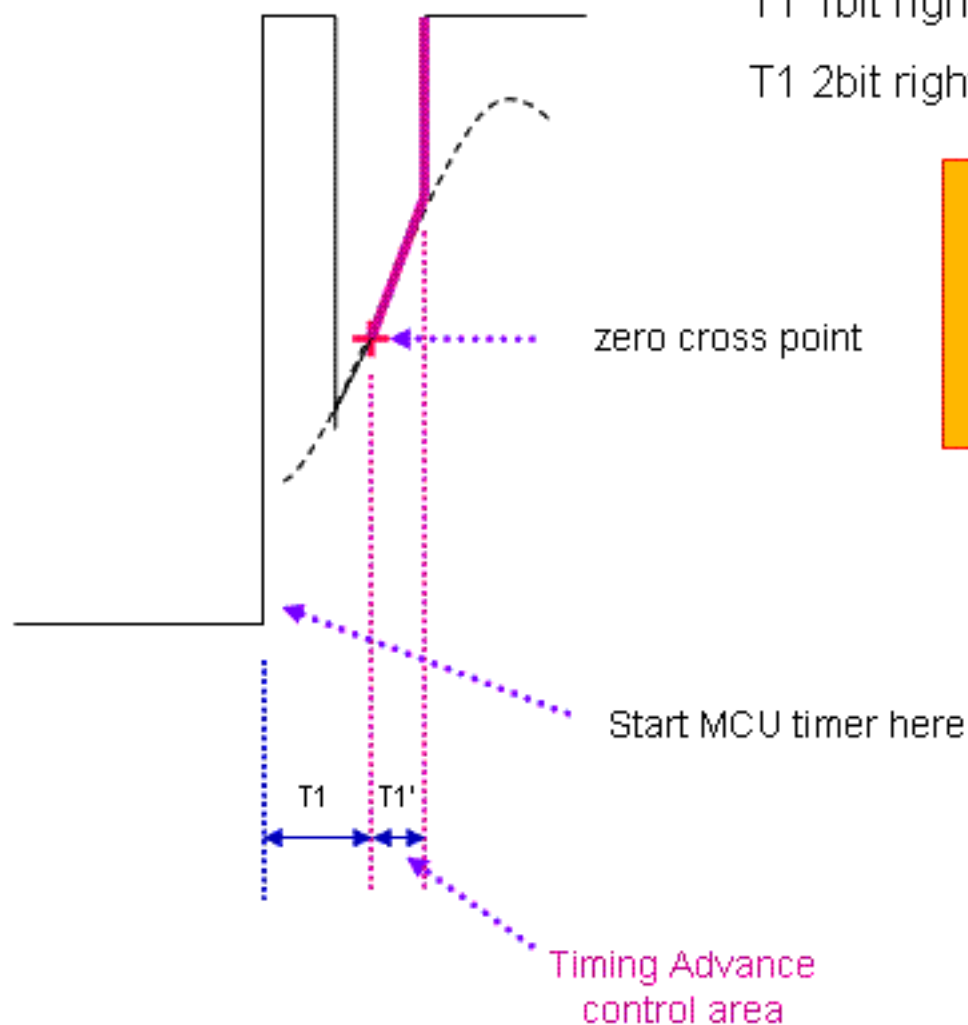
Configure Monitor port



Basic programming tools for BL-ESC development by Takao

Timing Advance in Zero-Cross Power Control

The inductive kick is always exist after MOSFET off



T1 1bit right shift = T1': 25% advance

T1 2bit right shift = T1': 12.5% advance



Timing Advance helps unsymmetrical motor generate sine wave form e.g. magnet field /coil winding tolerance for stable control.

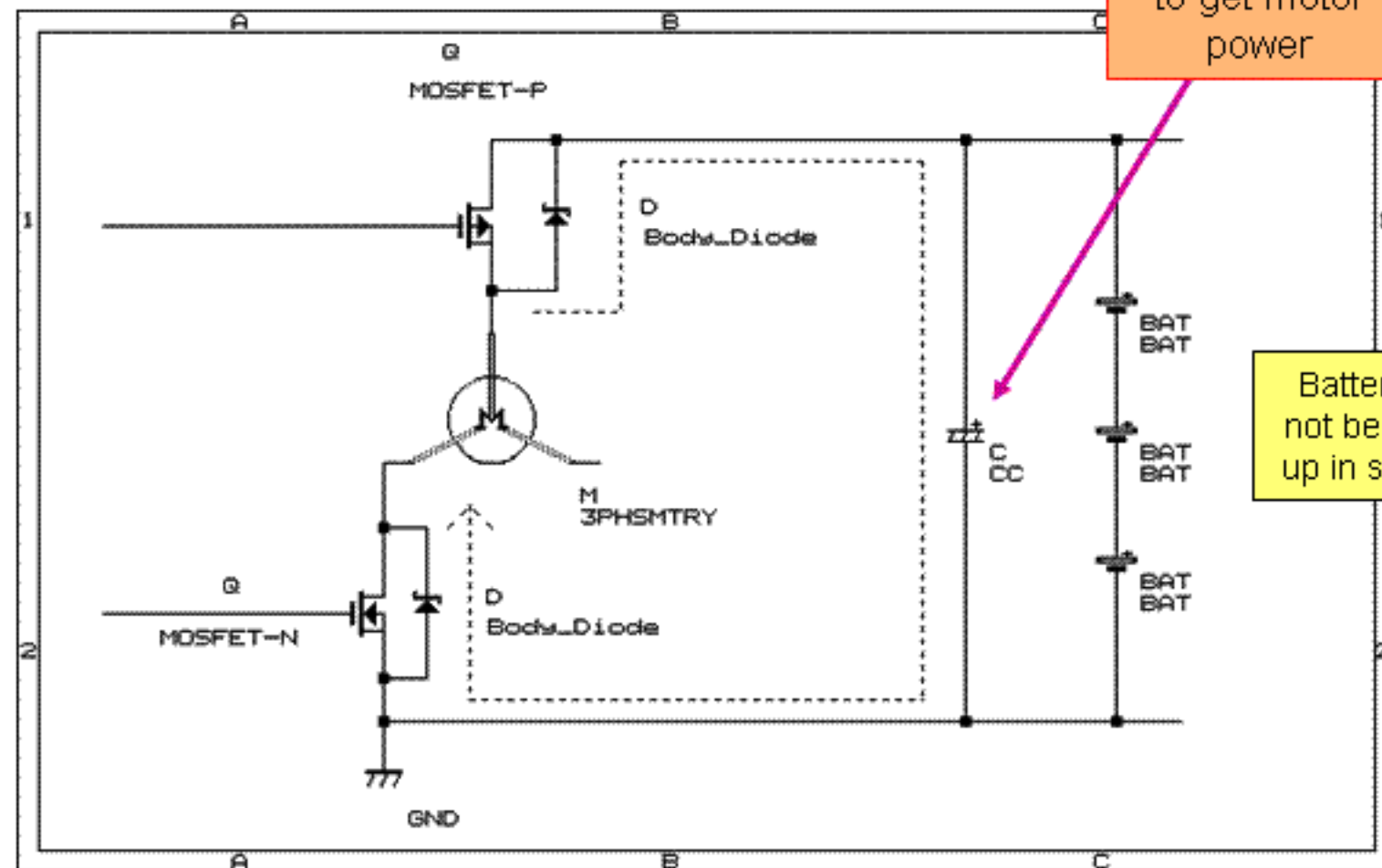
Programming details for Timing Advance control to get stable max power

The battery's internal resistance is very low enough, but the bypass cap on the power line works so great. Why?

The body avalanche diode as integral reverse p-n diode in MOSFET not only protects MOS device, but also charge-up the capacitor on the power line by inductive power from motor coil.

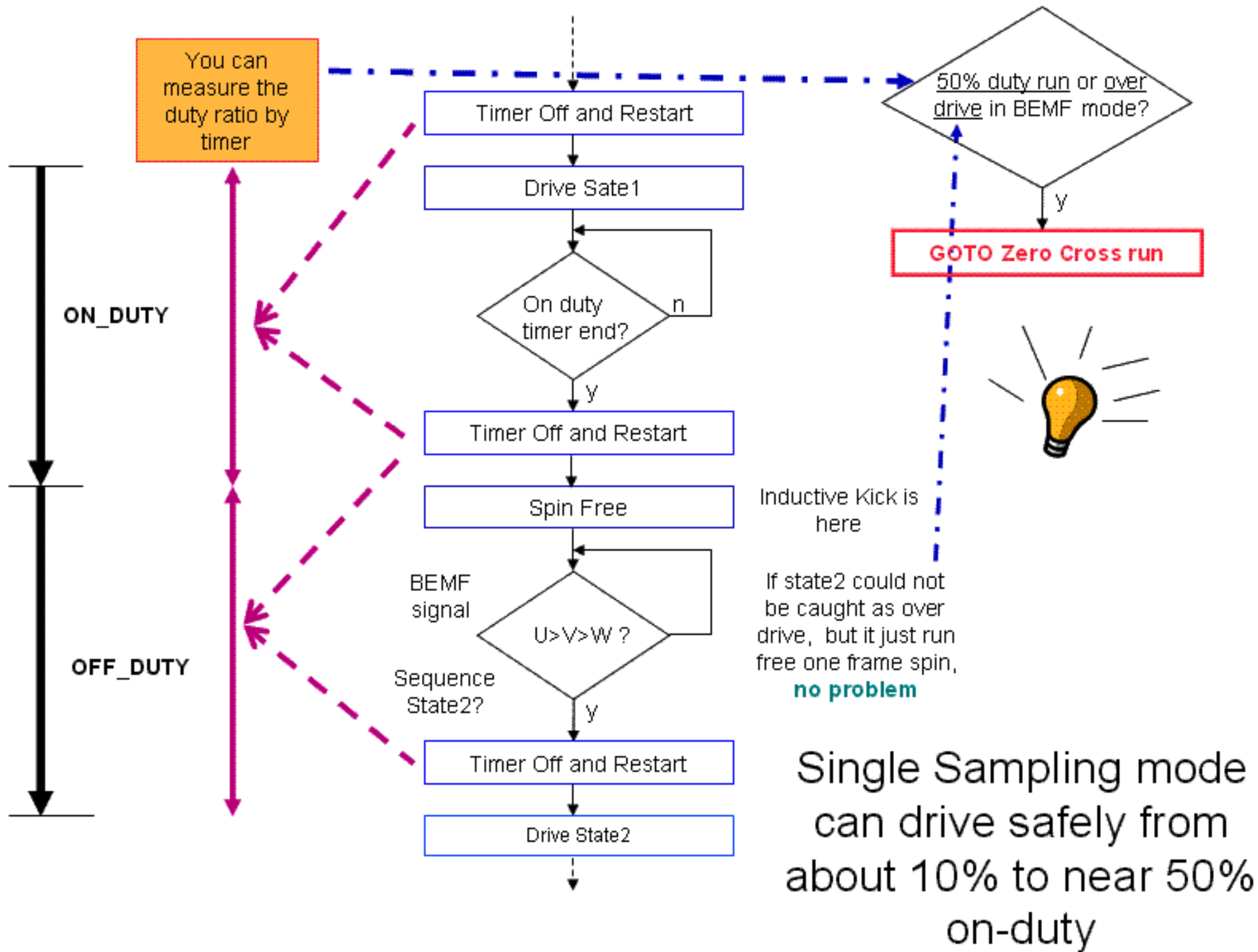


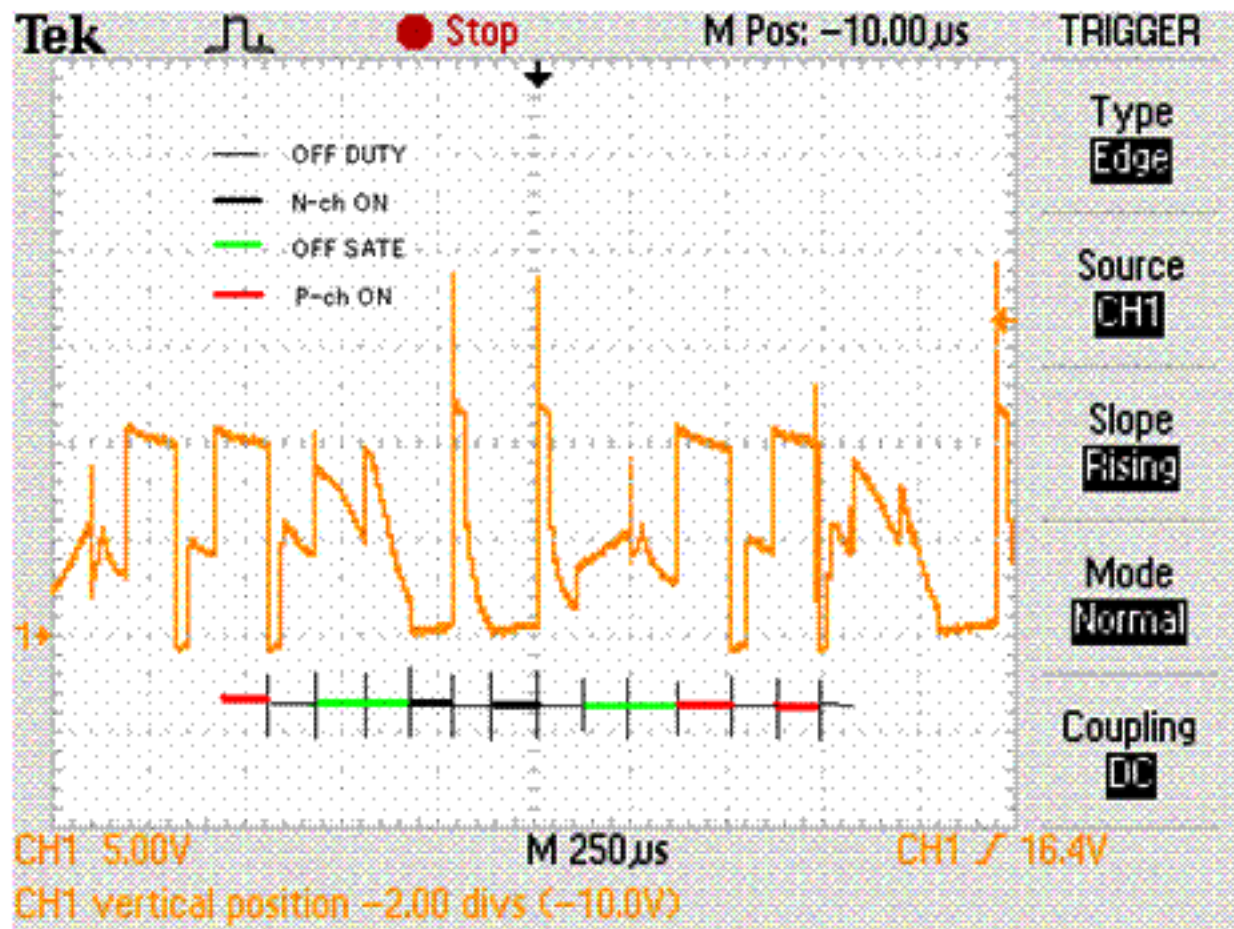
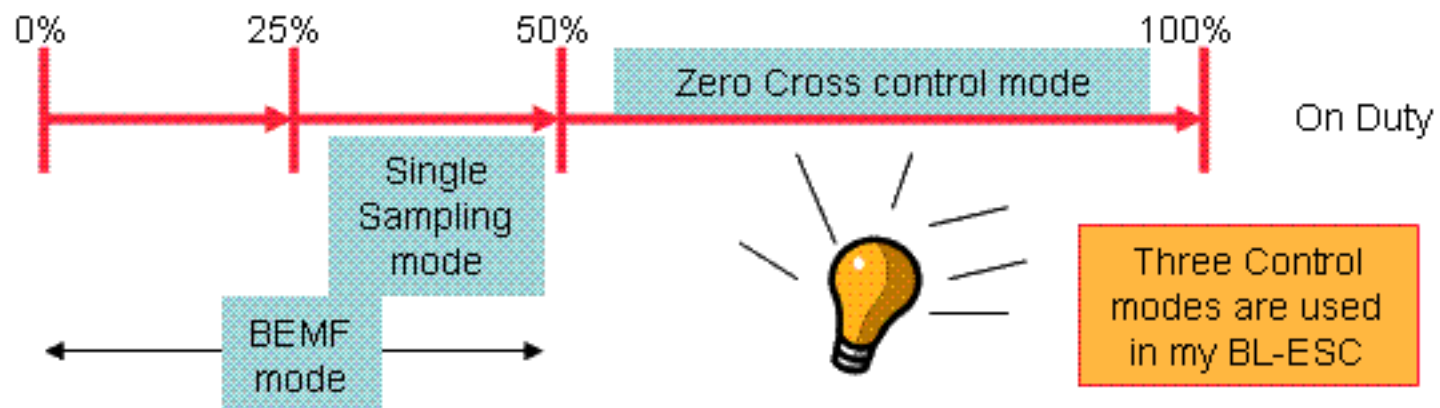
Need big cap to get motor power



Batteries can not be charged up in so quickly

Flywheel diode in MOSFET





Wave form of Single Sampling mode
by Takao

FMS-FF9

1n4148
Diode or
similar

1k8

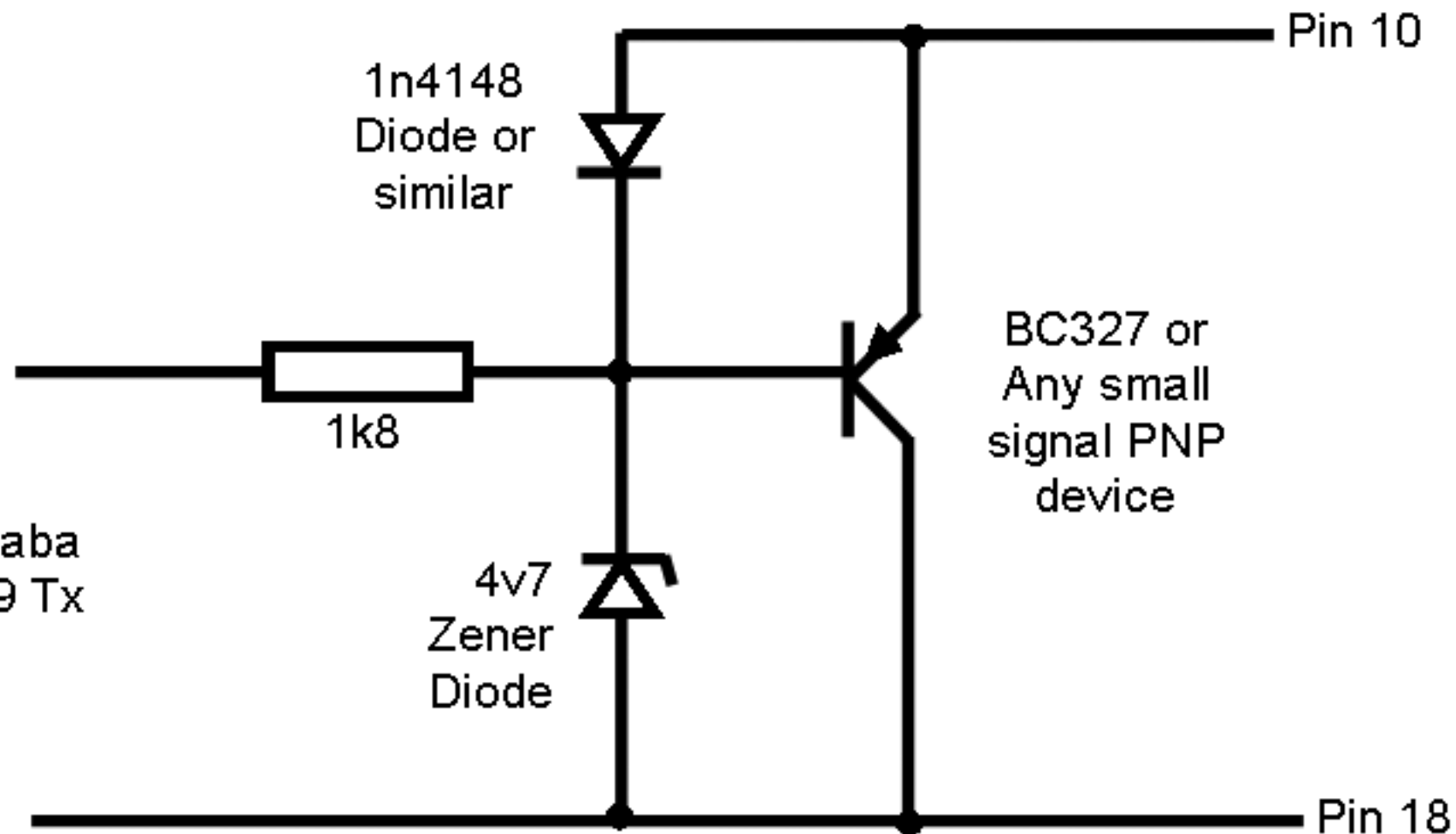
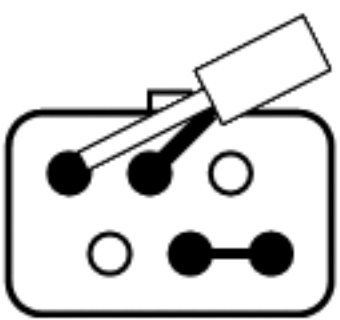
Futaba
FF9 Tx

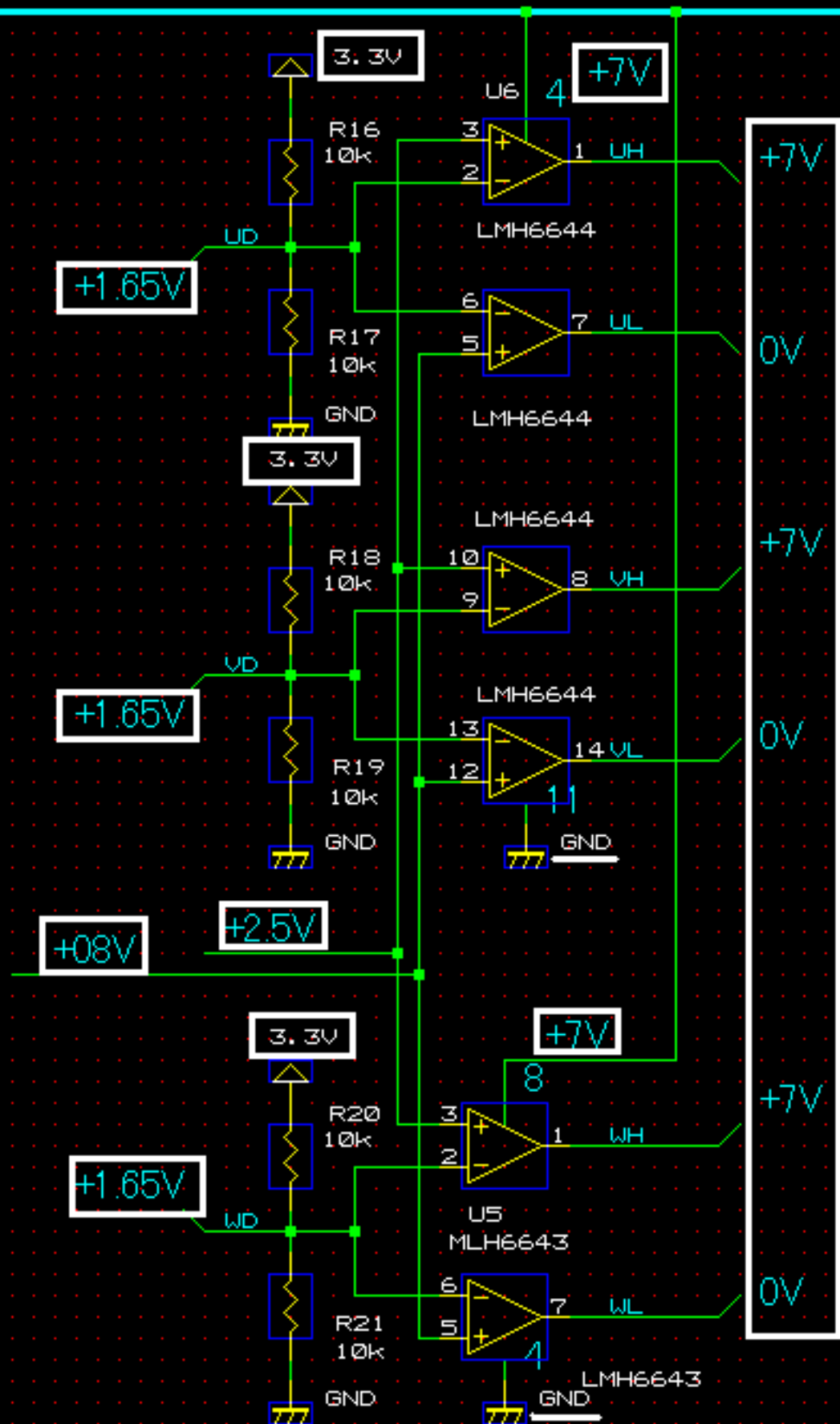
4v7
Zener
Diode

BC327 or
Any small
signal PNP
device

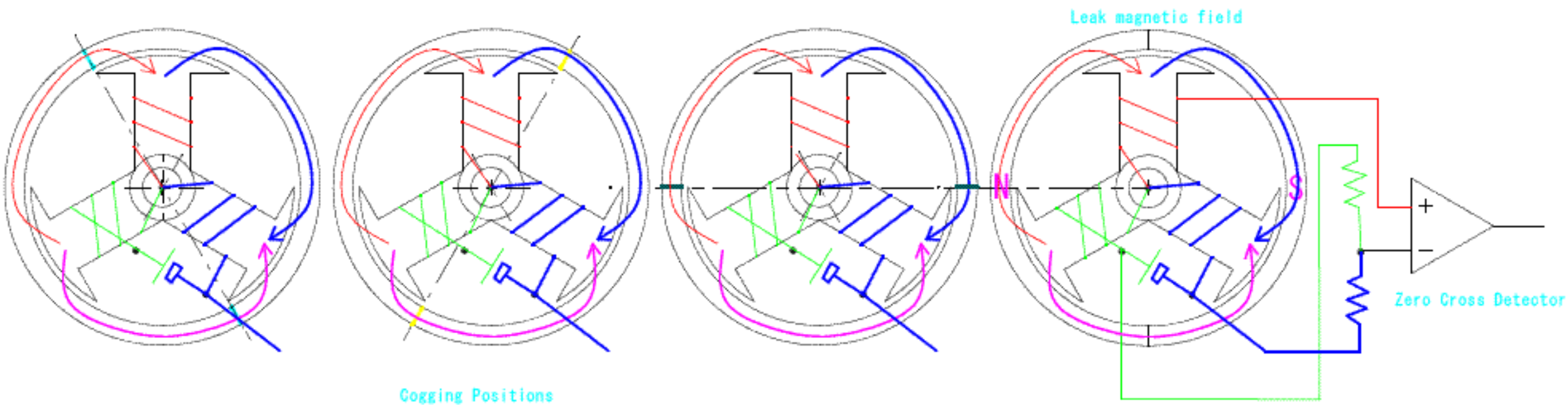
Pin 10

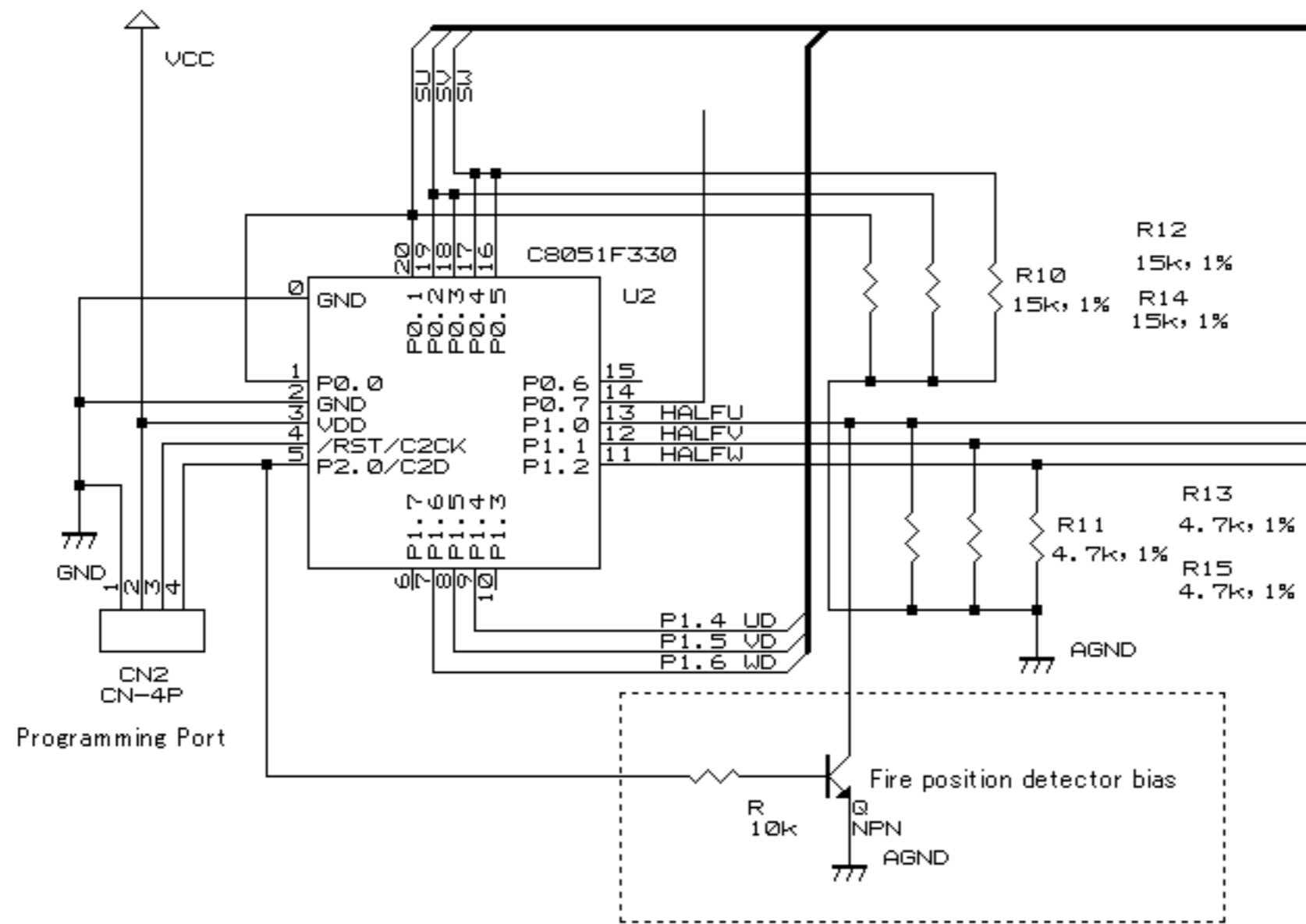
Pin 18

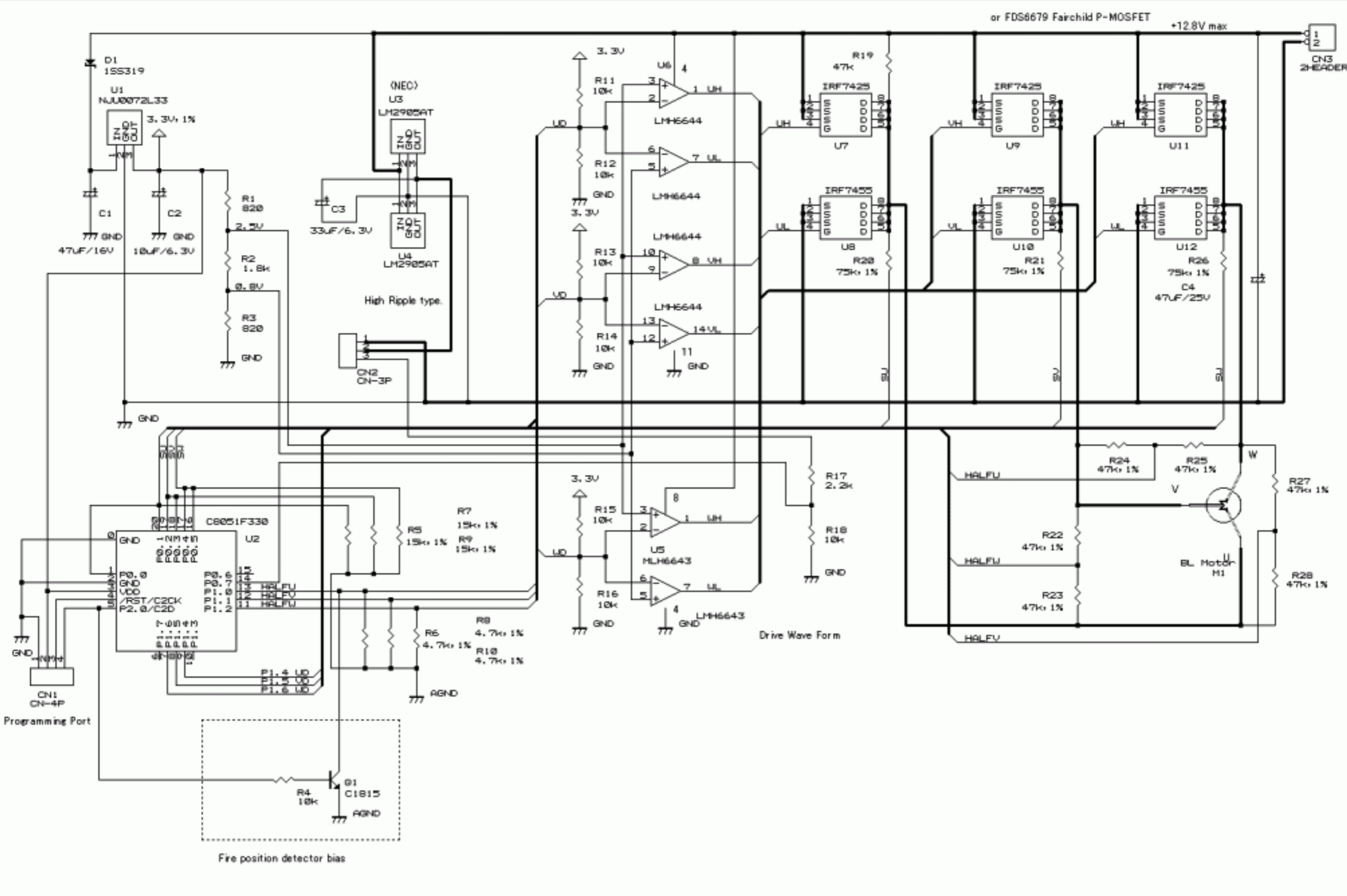




Starting rotar position sensing (shown only one phase impulse drive sensing)

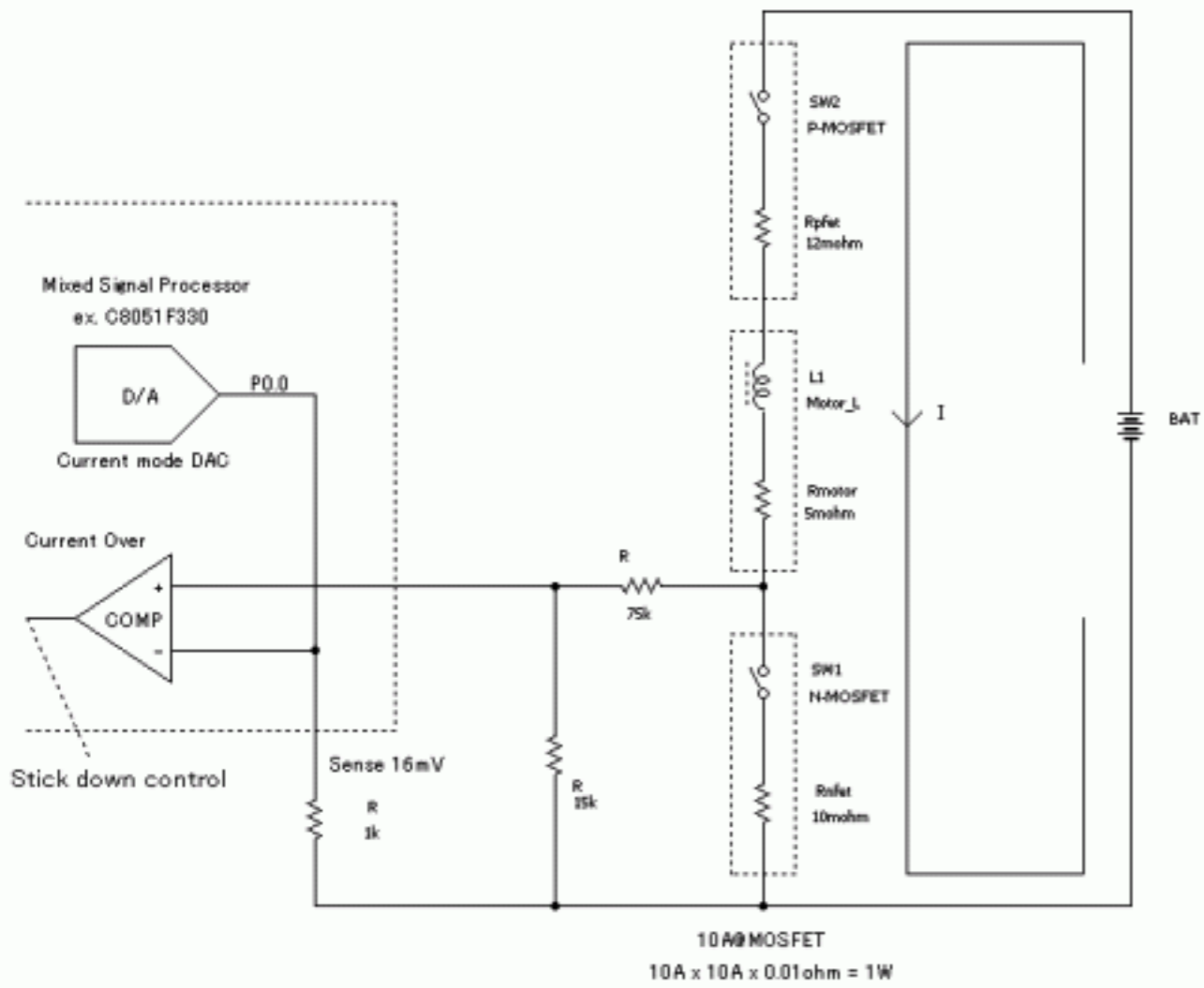




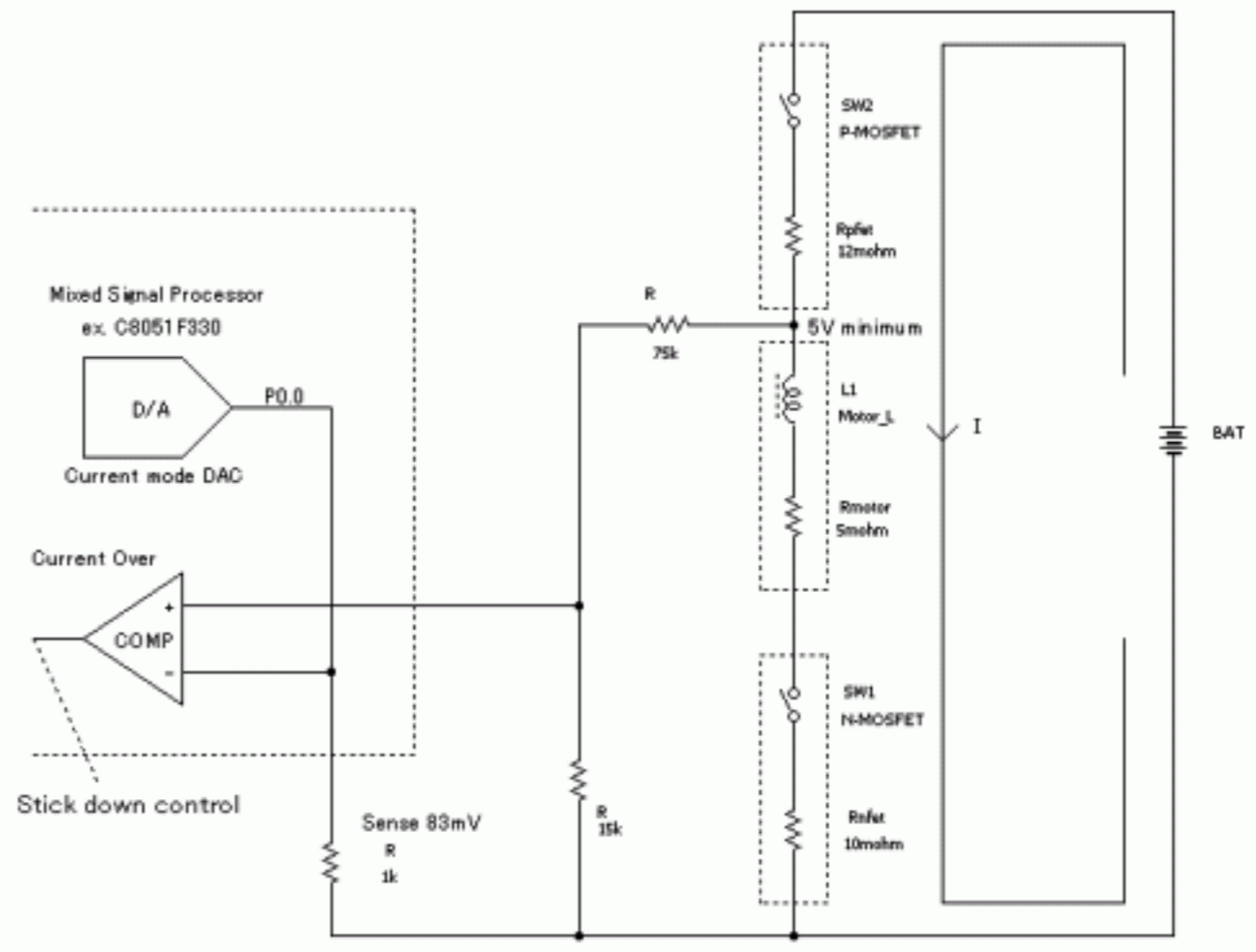


Date	Rev.	Designed by	Title	Page
'05/08/15	0.5	Takao Shimizu	Brushless Sensor-less Electric Speed Controller Schematic	1/1

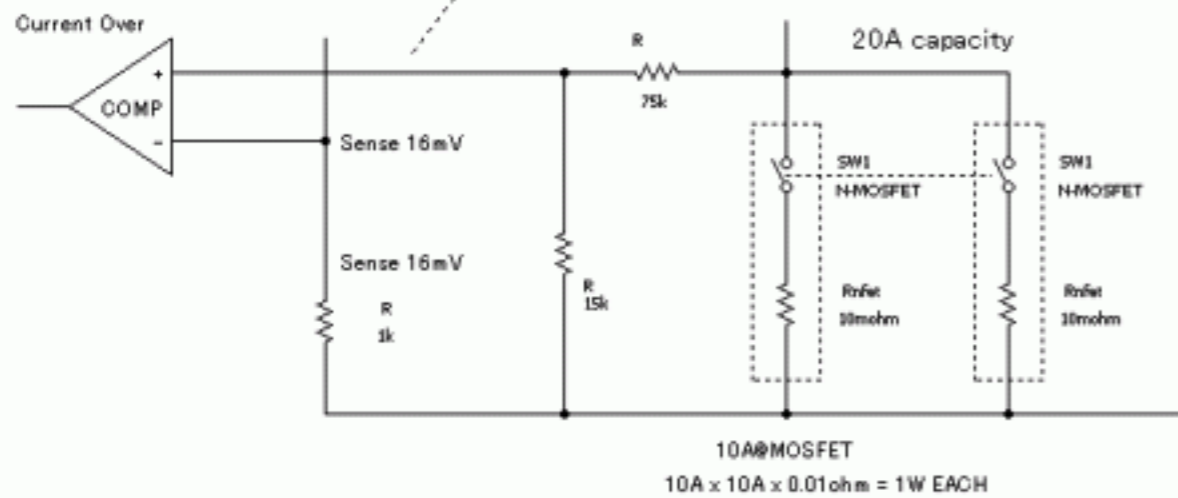
Current Limiter function



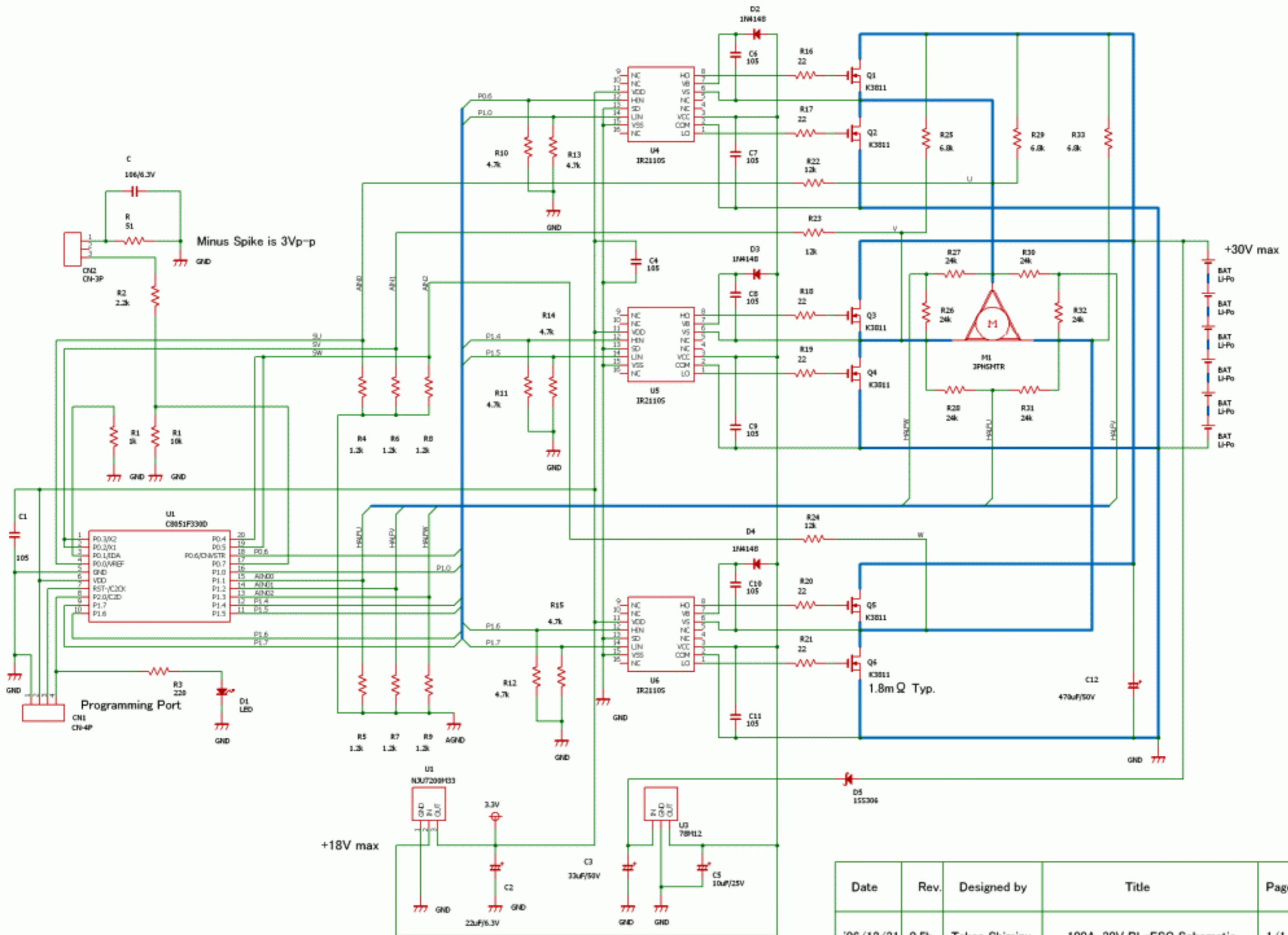
Keep the lowest operation voltage



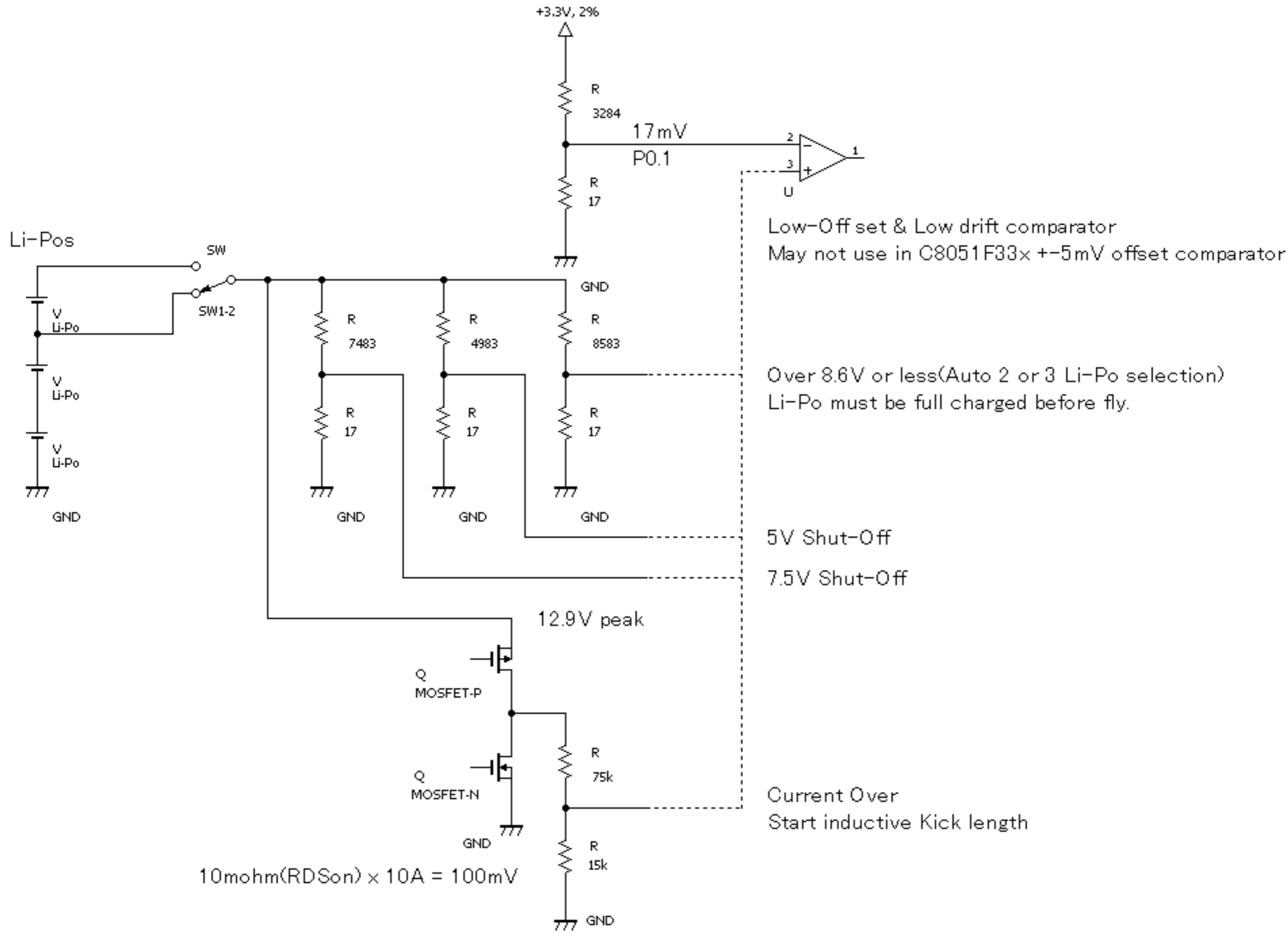
The sensing voltage is same as single MOSFET drive!

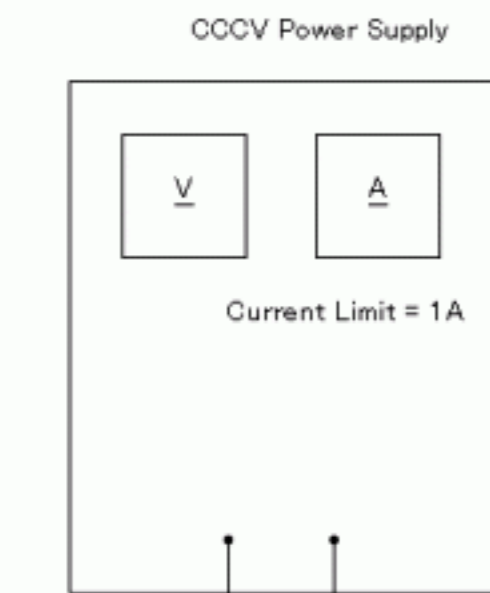


Date	Rev.	Designed by	Title	Page
'05/12/30	2	Takao Shimizu	BL-ESC Protection diagram in MPU	1/1

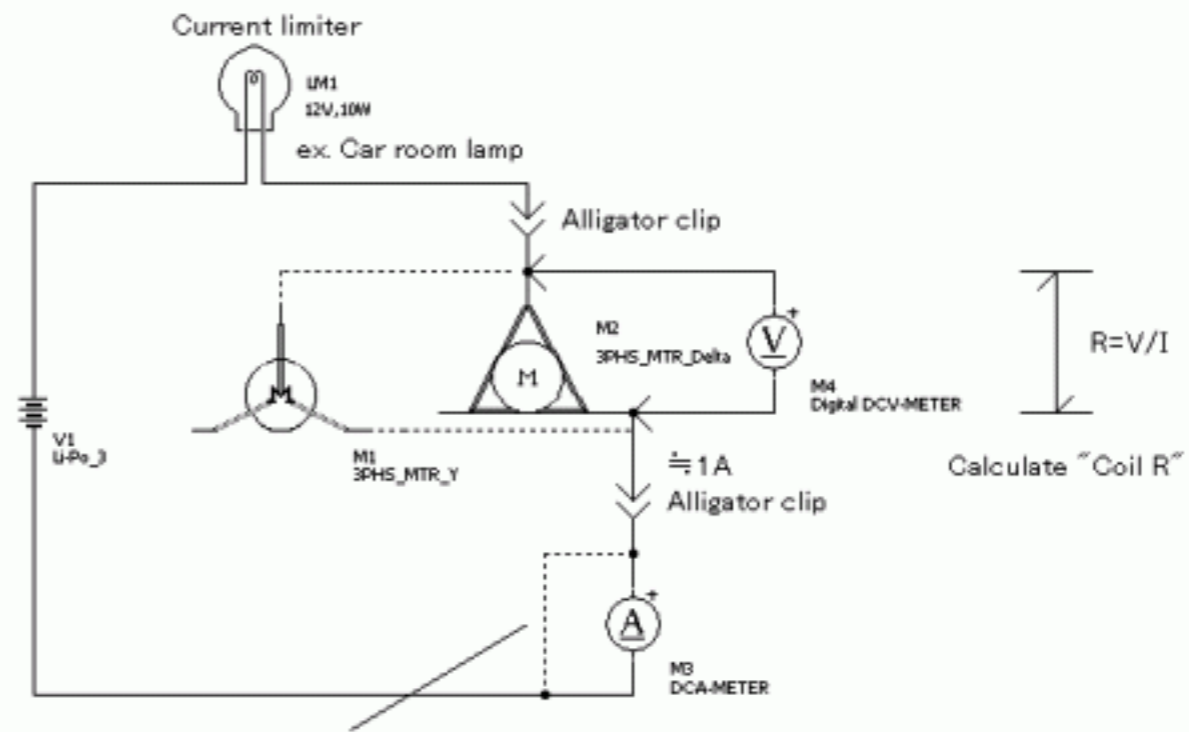


Date	Rev.	Designed by	Title	Page
'06/12/31	0.5b	Takao Shimizu	100A, 30V BL-ESC Schematic	1/1

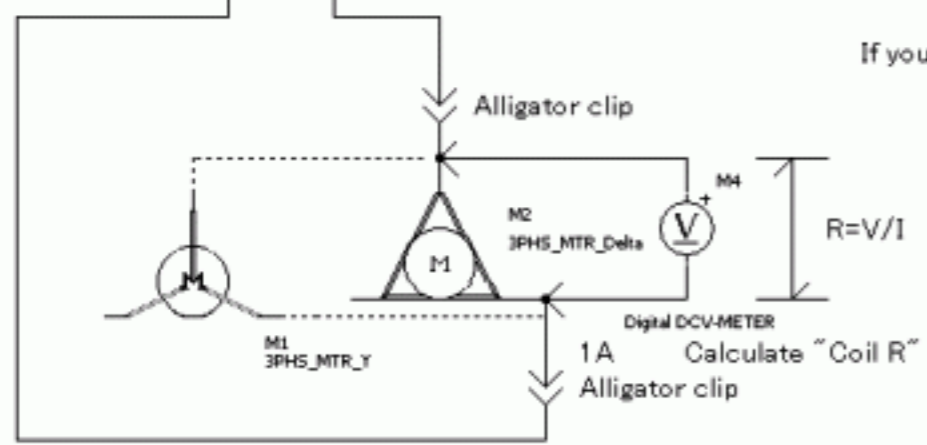




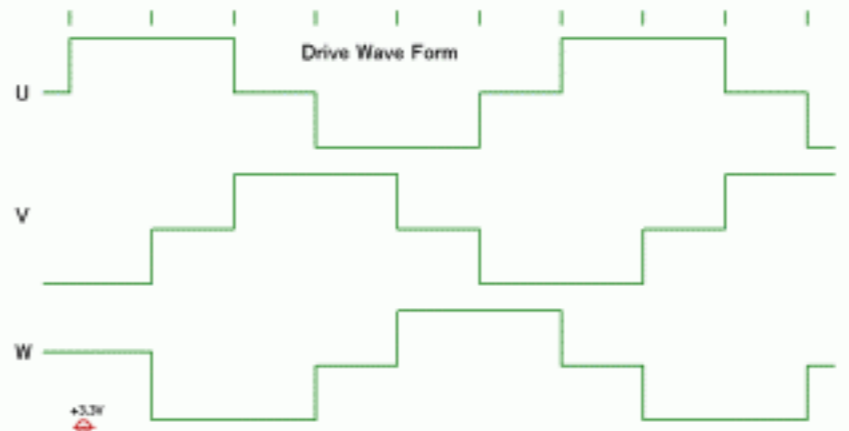
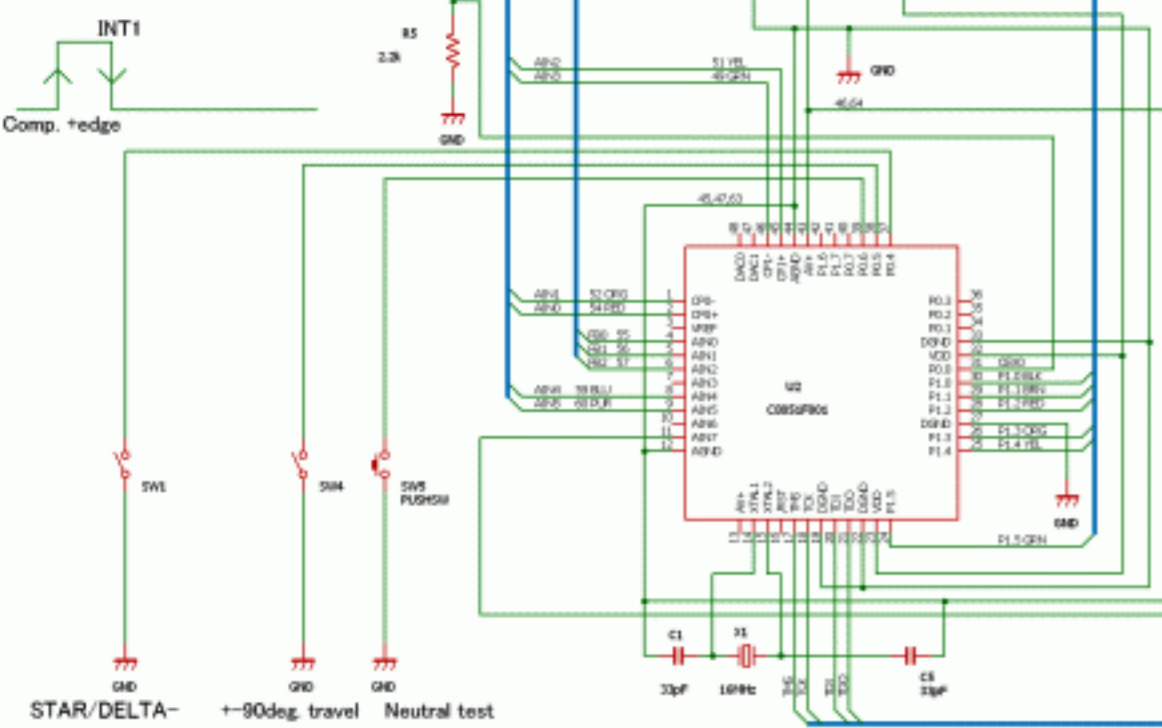
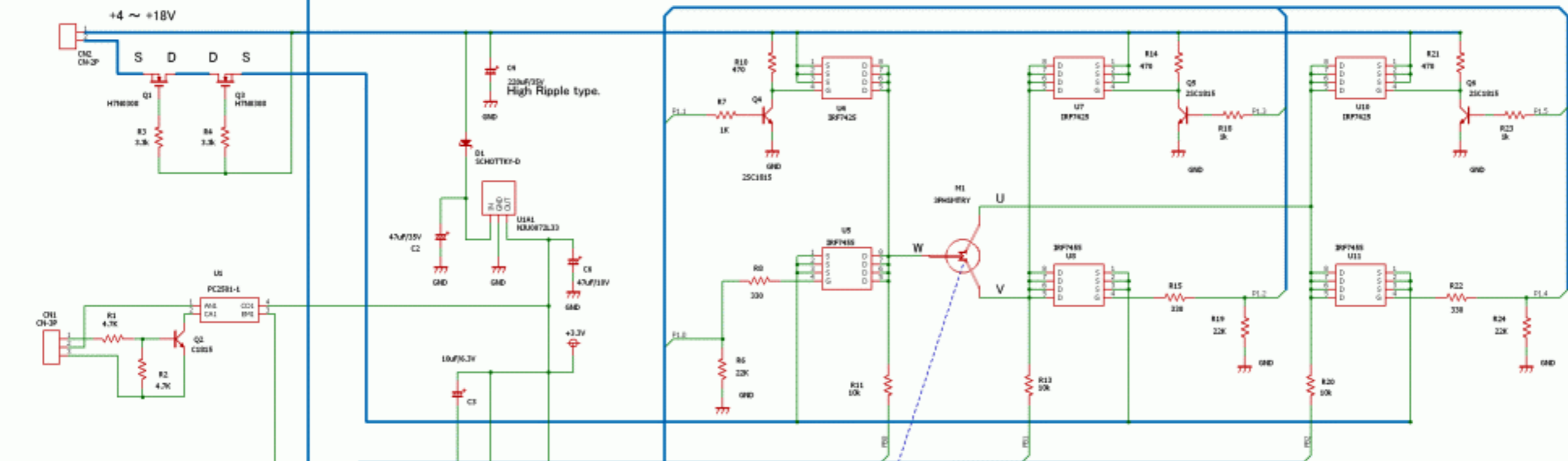
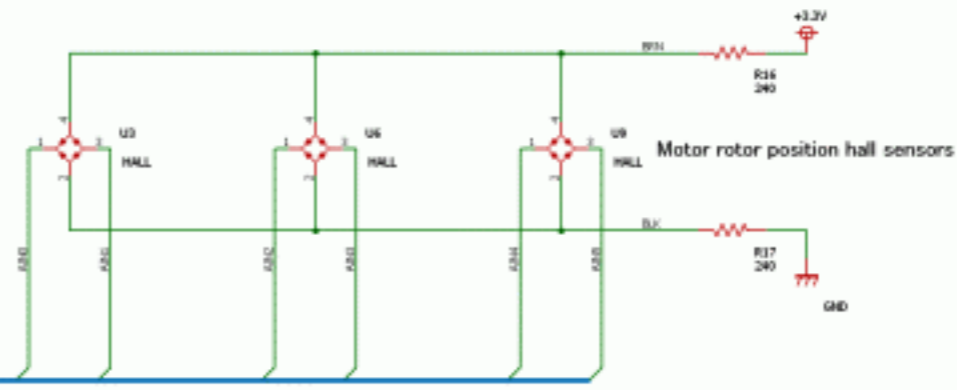
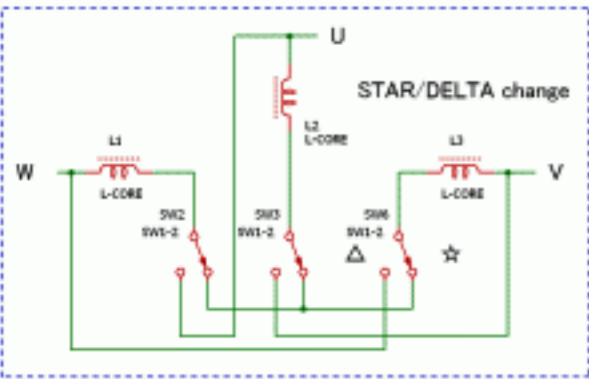
OR



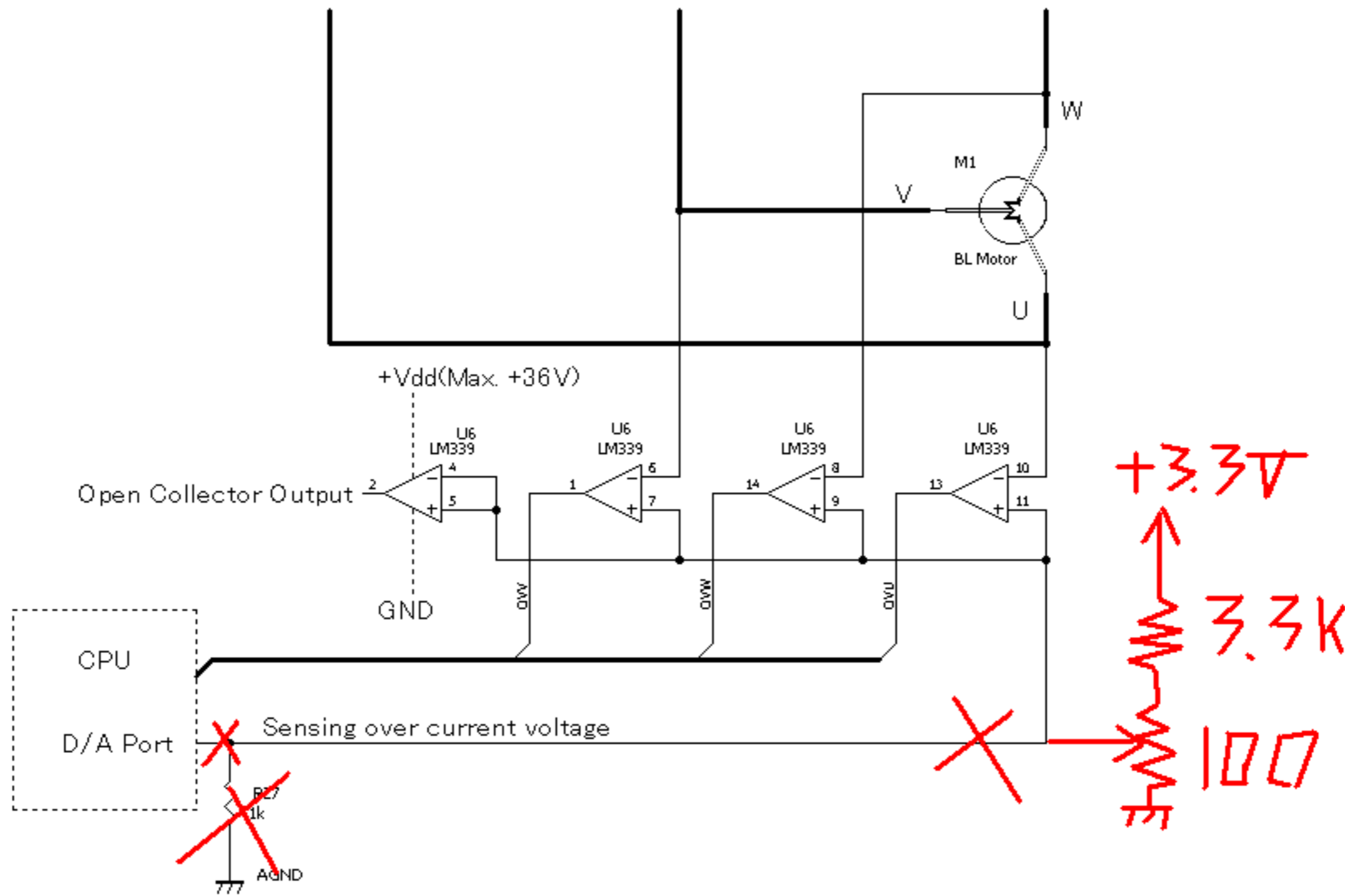
If you have one multi meter, you could short here by the lamp I constant characteristic after "I" has been measured.



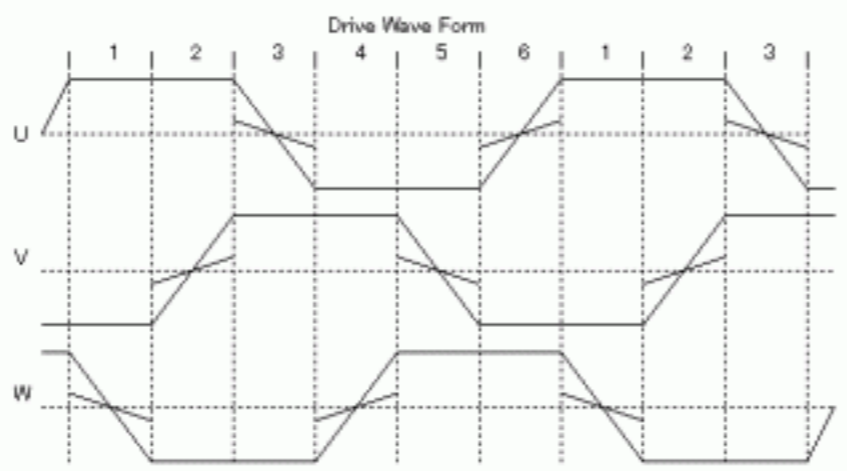
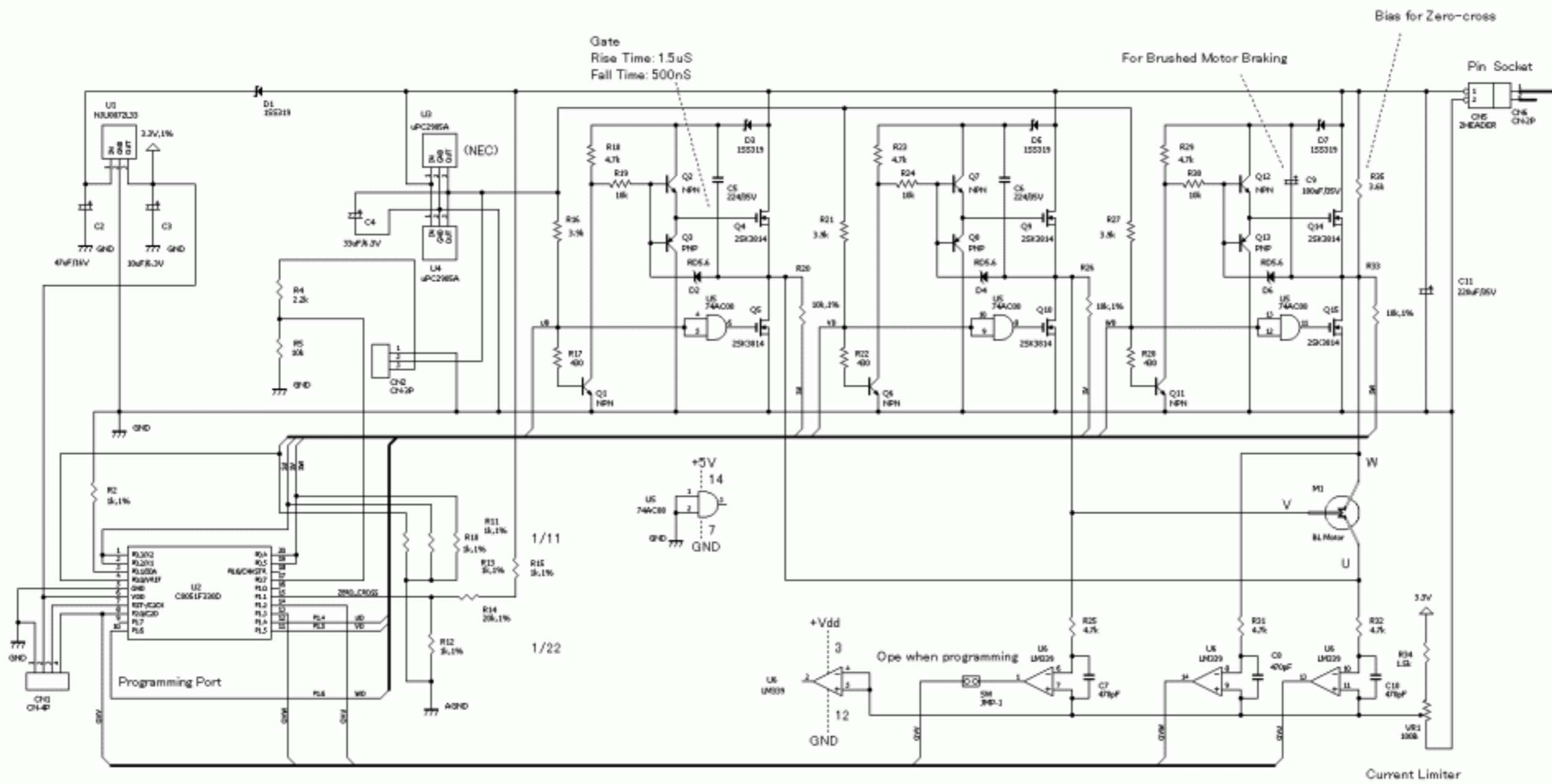
Date	Rev.	Designed by	Title	Page
'06/01/10	0.1	Takao Shimizu	Measuring method of motor coil resistance	1/1



Date	Rev.	Designed by	Title	Page
'06/10/10	0.3b	Takao Shimizu	Brushless Digital Proportional Servo Schematic	1/1

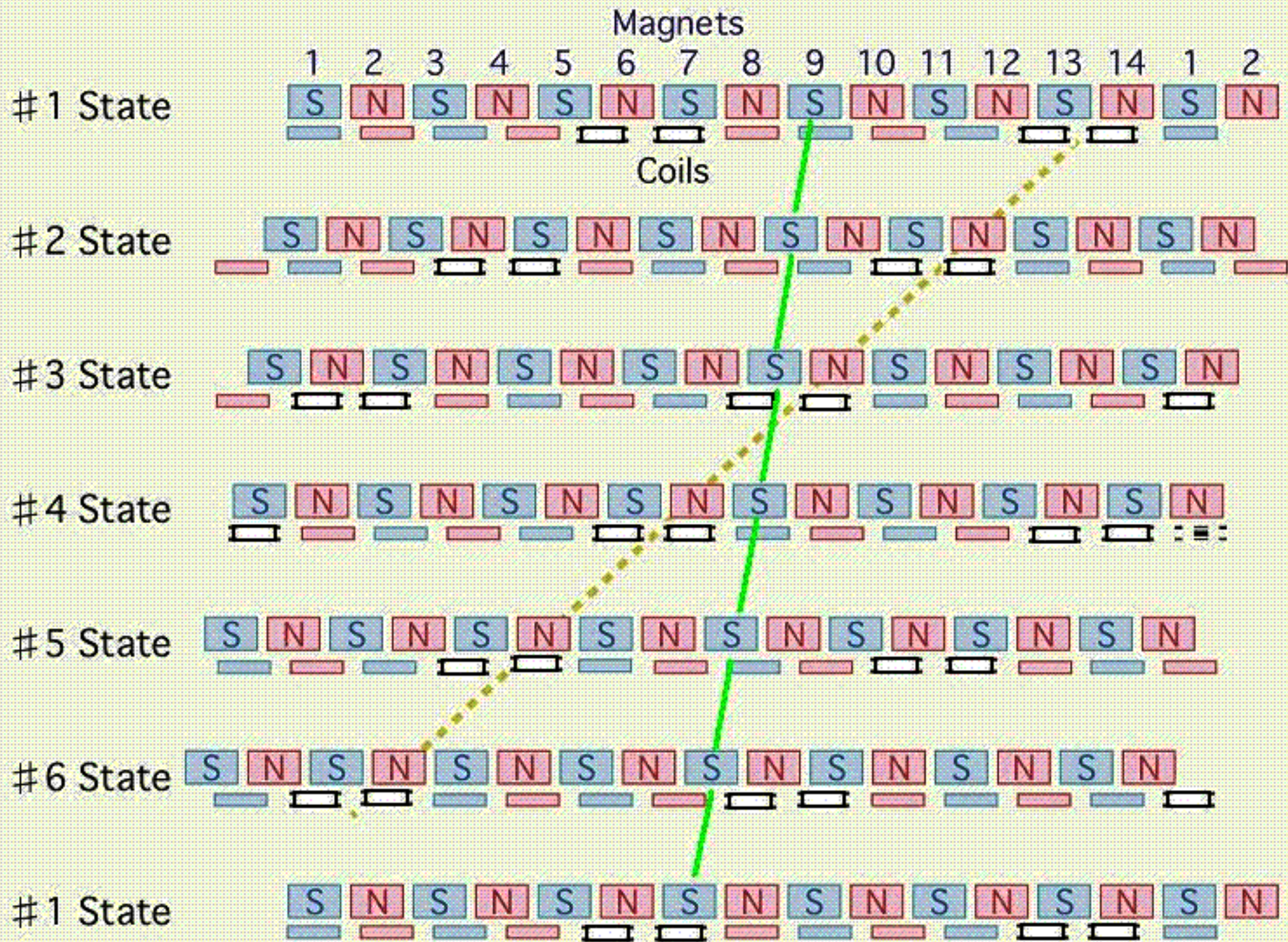


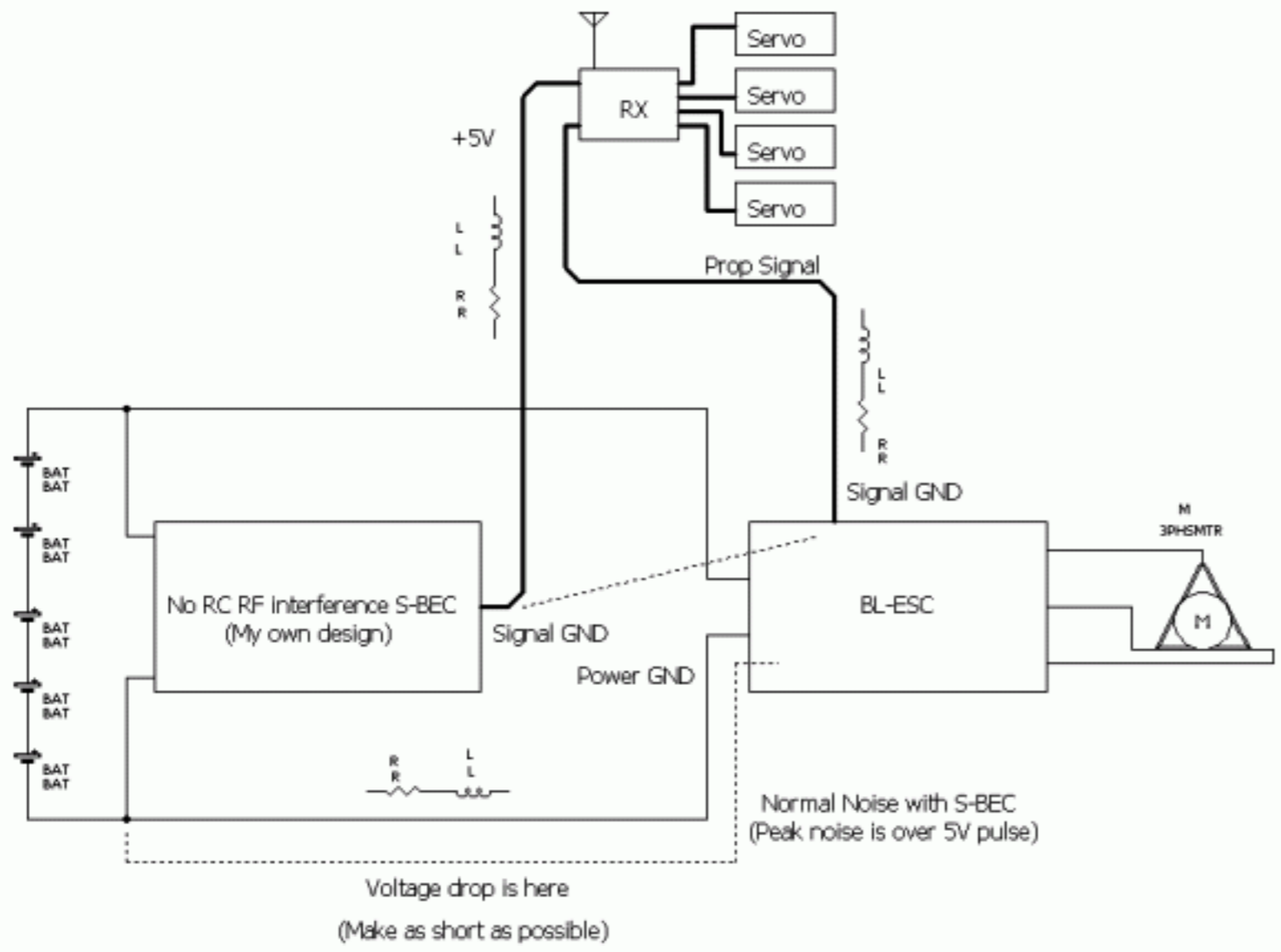
Date	Rev.	Designed by	Title	Page
'05/01/25	0.1	Takao Shimizu	BL-Motor over current sensing schematic	1/1



Each Cell Voltage Monitor

Date	Rev.	Designed by	Title	Page
05/01/14	0.1	Takao Shimizu	Brushless Sensorless Electric Speed Controller Schematic	1/1





S-BEC connection Problem
(System can not start)

The S-BEC power line GND loop problem

Date	Rev.	Designed by	Title	Page
Feb. 20, '06	0.1	Takao Shimizu	S-BEC Connection Problem	1/1

Tek

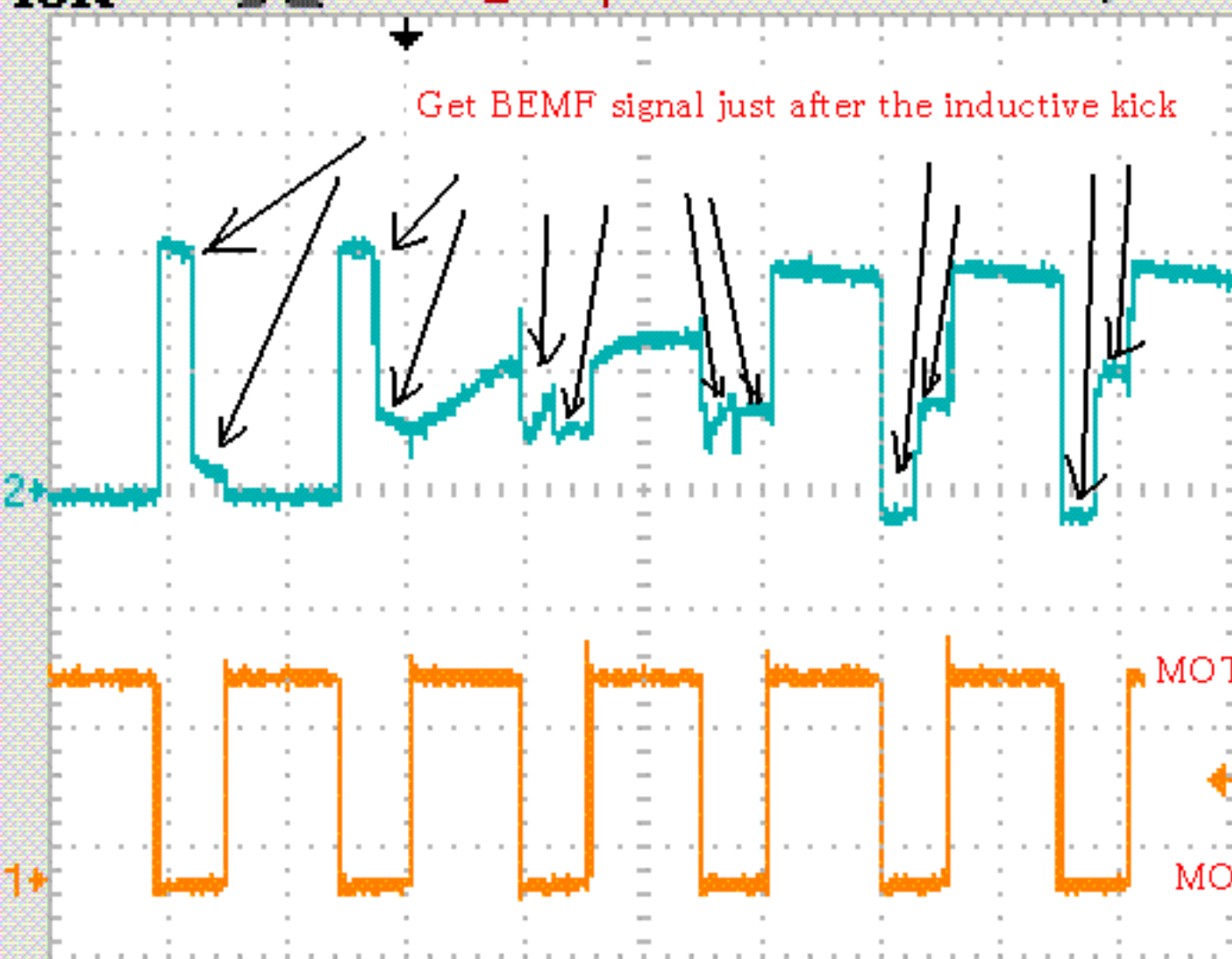


● Stop

M Pos: 200.0 μ s

CH3

Get BEMF signal just after the inductive kick



Coupling
DC

BW Limit
Off
100MHz

Volts/Div
Coarse

Probe
10X

Invert
Off

MOTOR ON

MOTOR OFF

CH1 2.00V

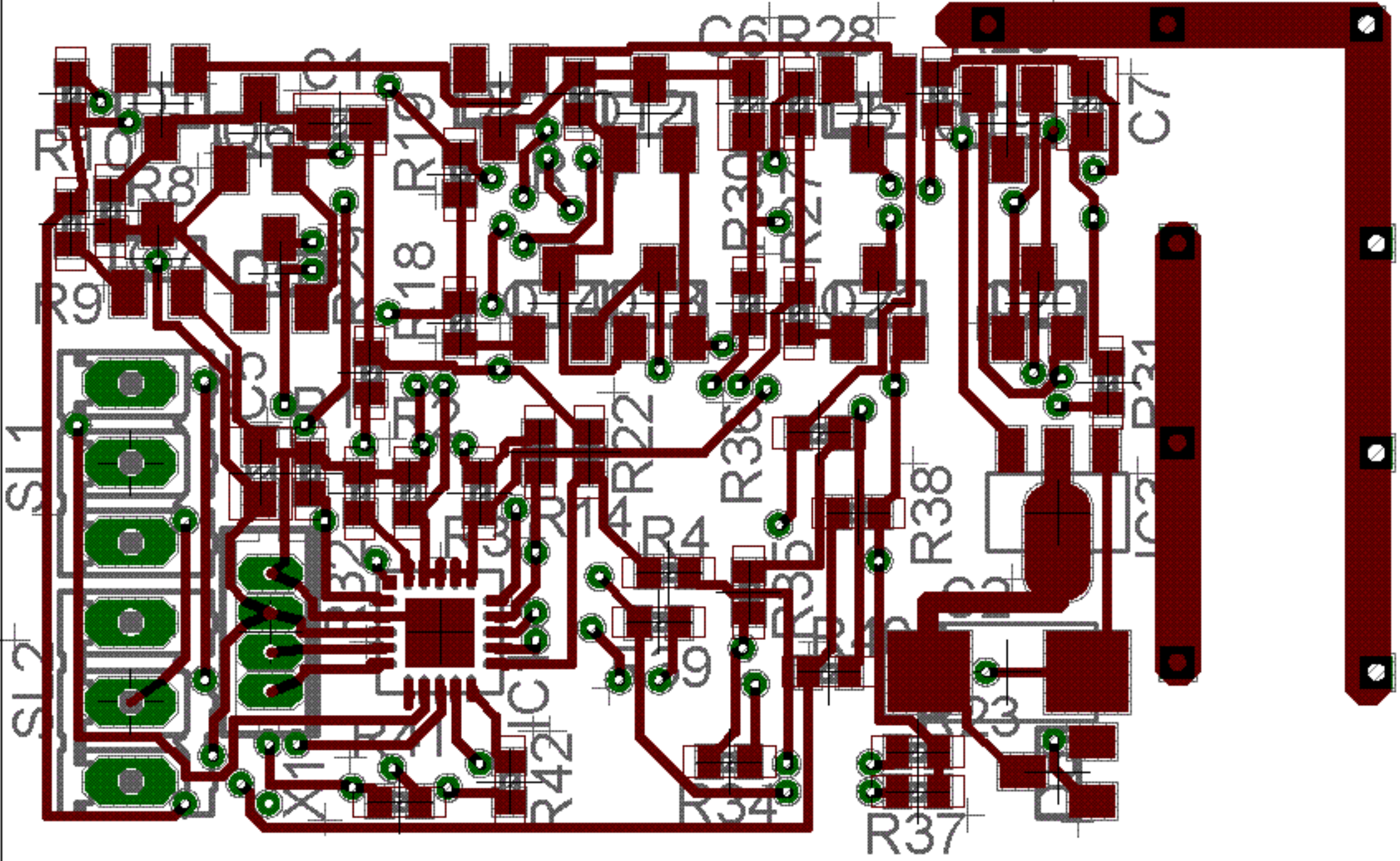
CH2 5.00V

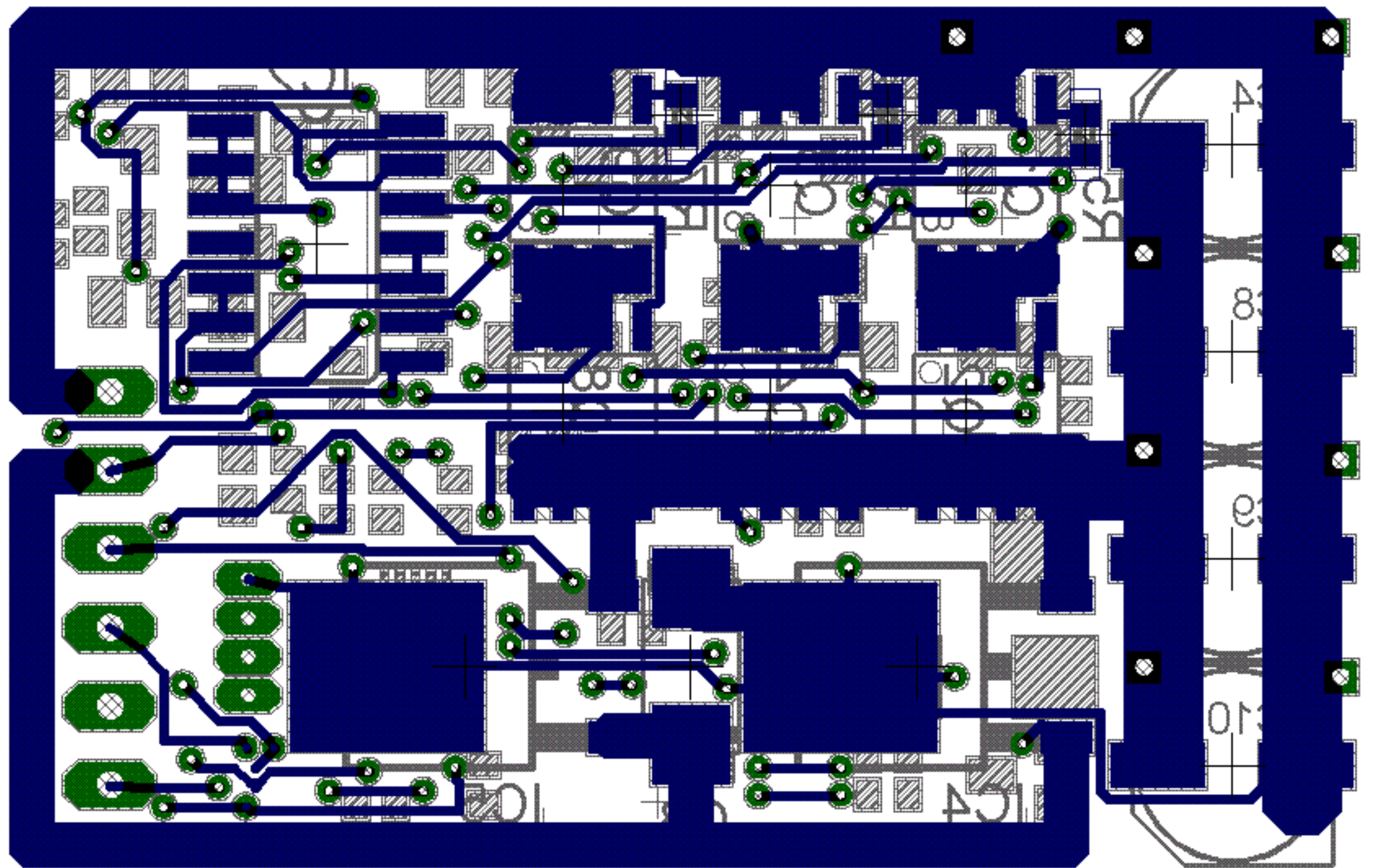
M 100 μ s

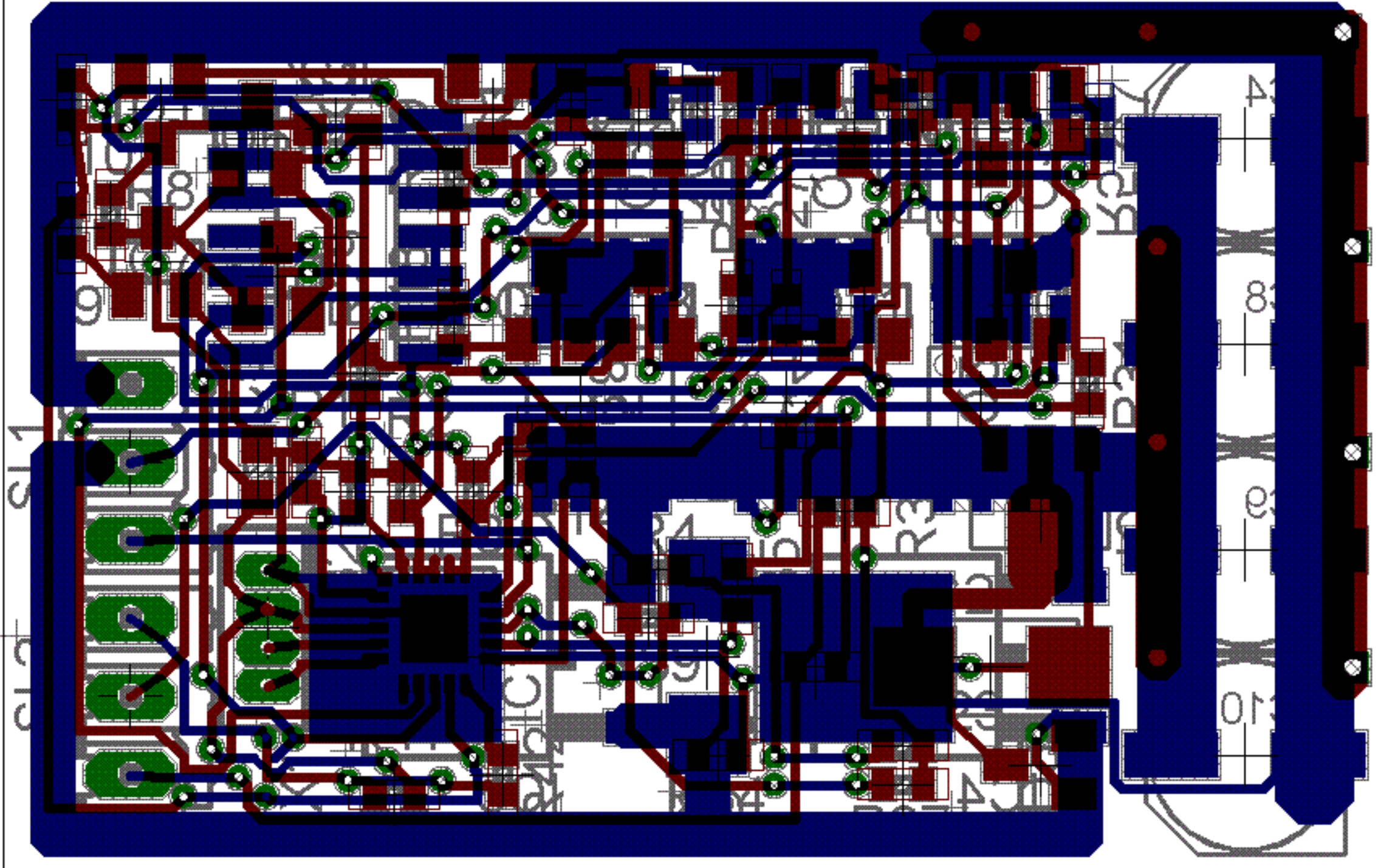
CH1 / 1.68V

16-Apr-06 20:56

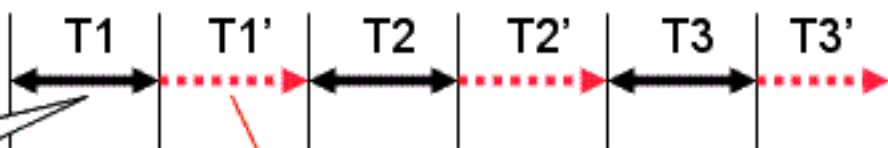
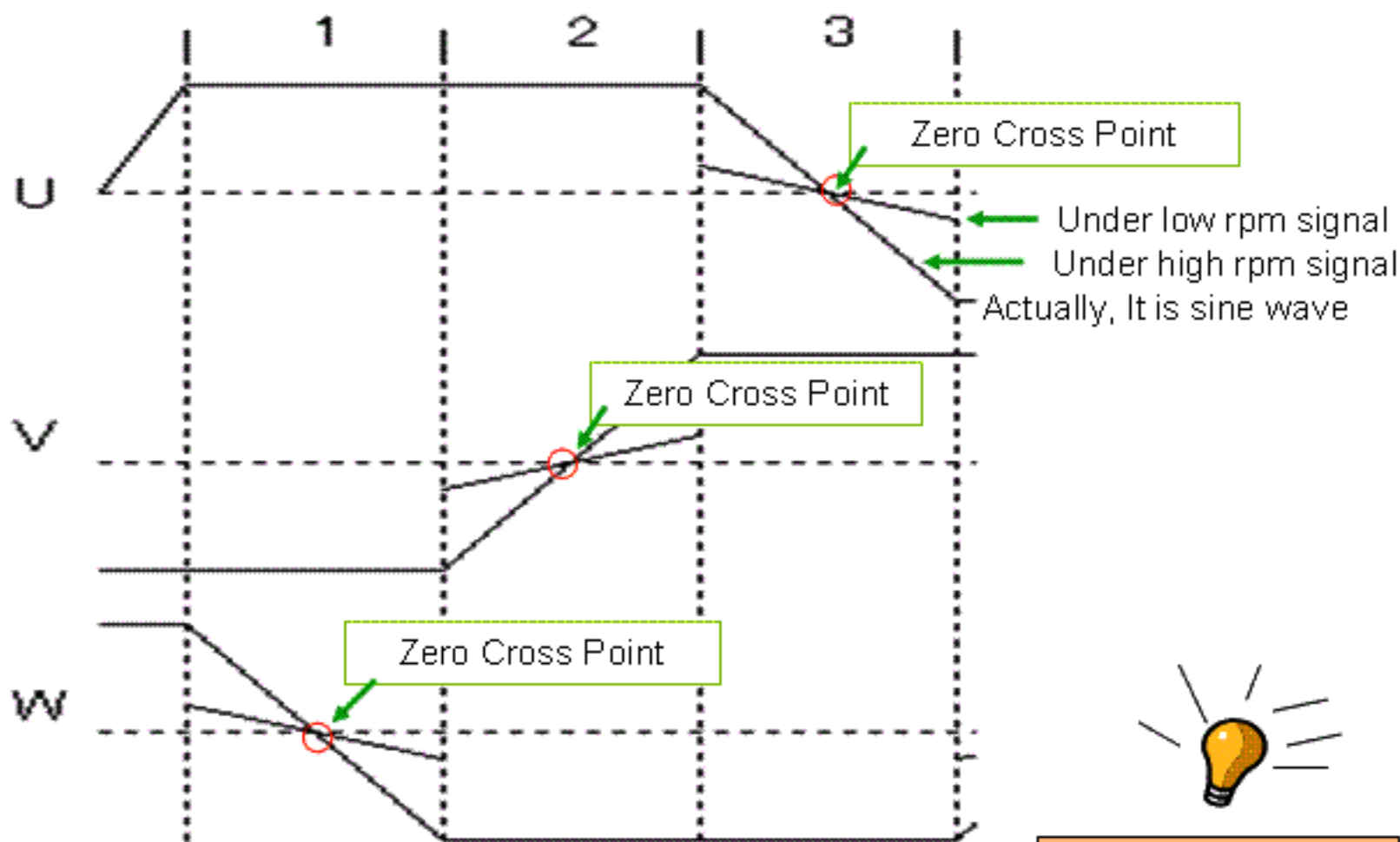
6.49368kHz







Zero Cross Control



Measure the time to the ZC point by timer...

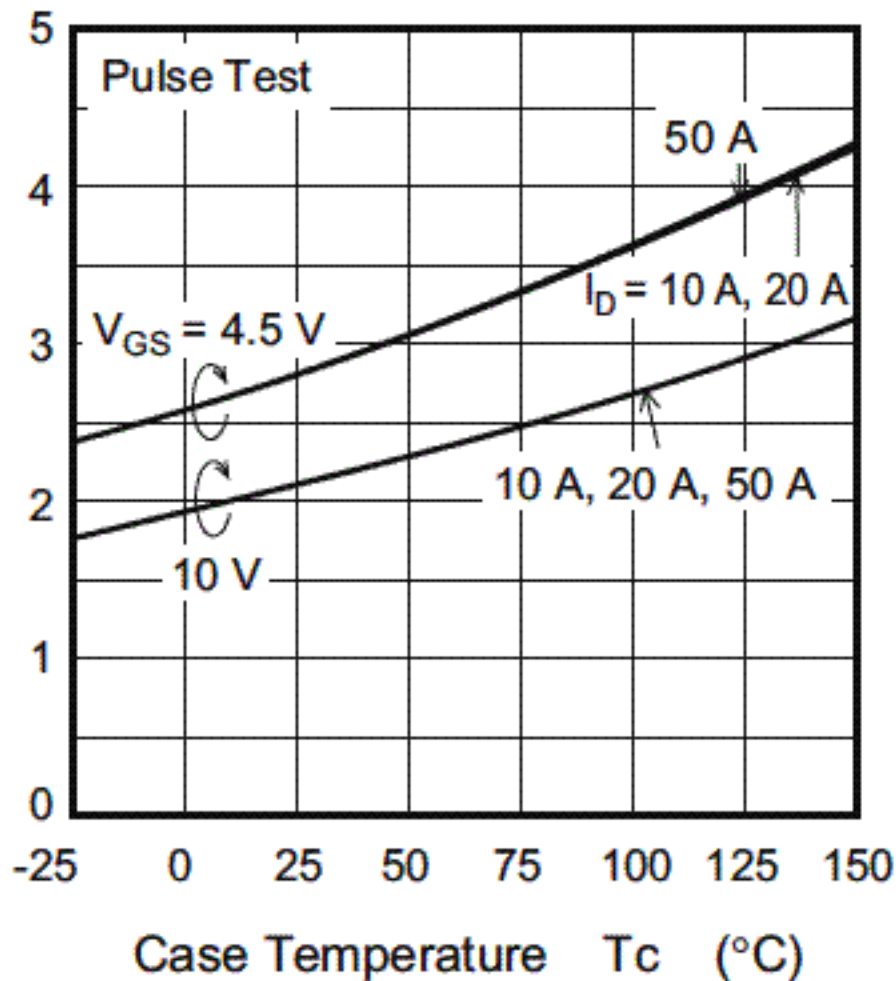
Then you can get the state switch timing



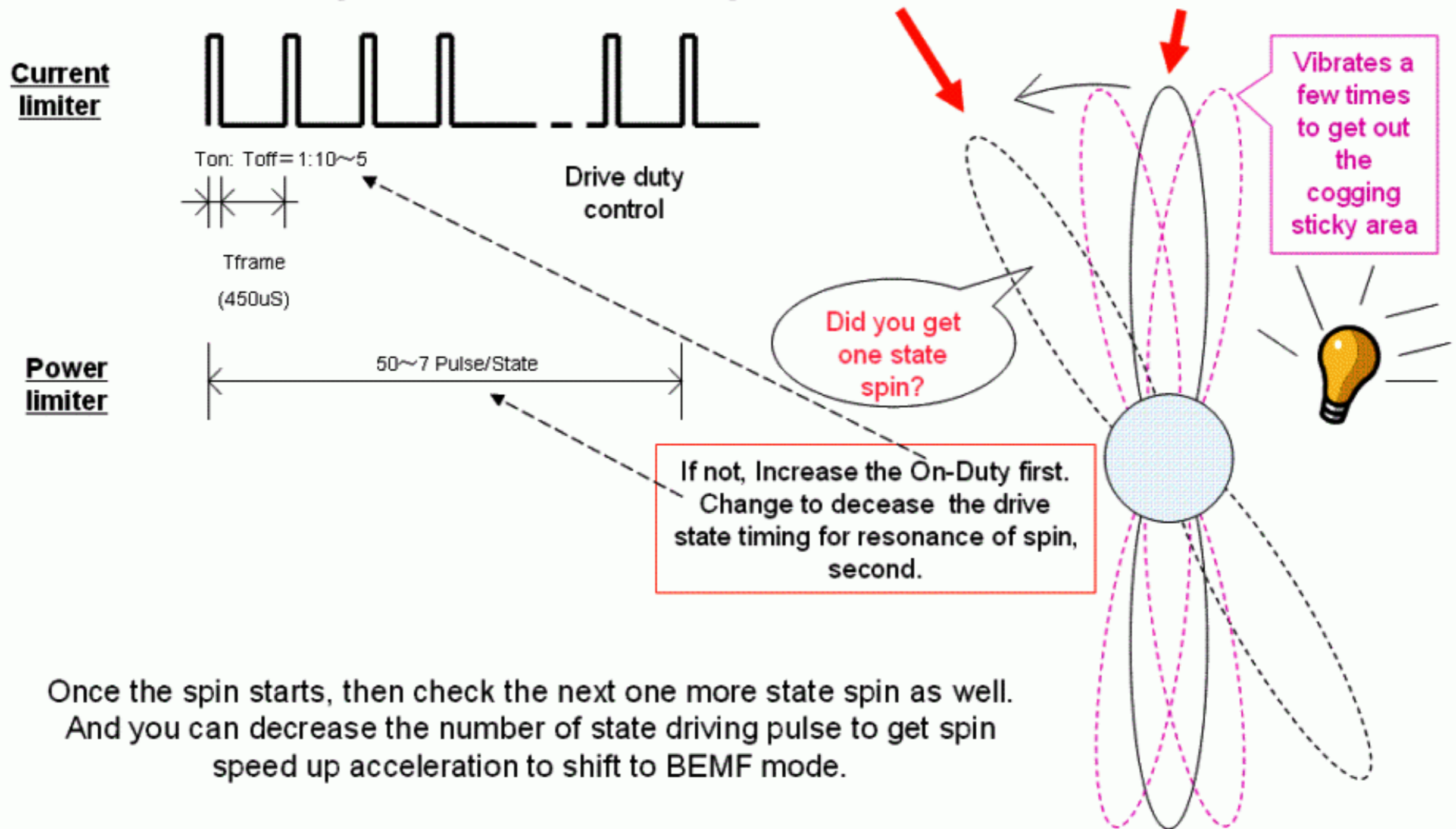
You can off-duty time power control in T1', T2', T3' (It is as timing advance)

Static Drain to Source on State Resistance vs. Temperature

Static Drain to Source on State Resistance
 $R_{DS(on)}$ (m Ω)



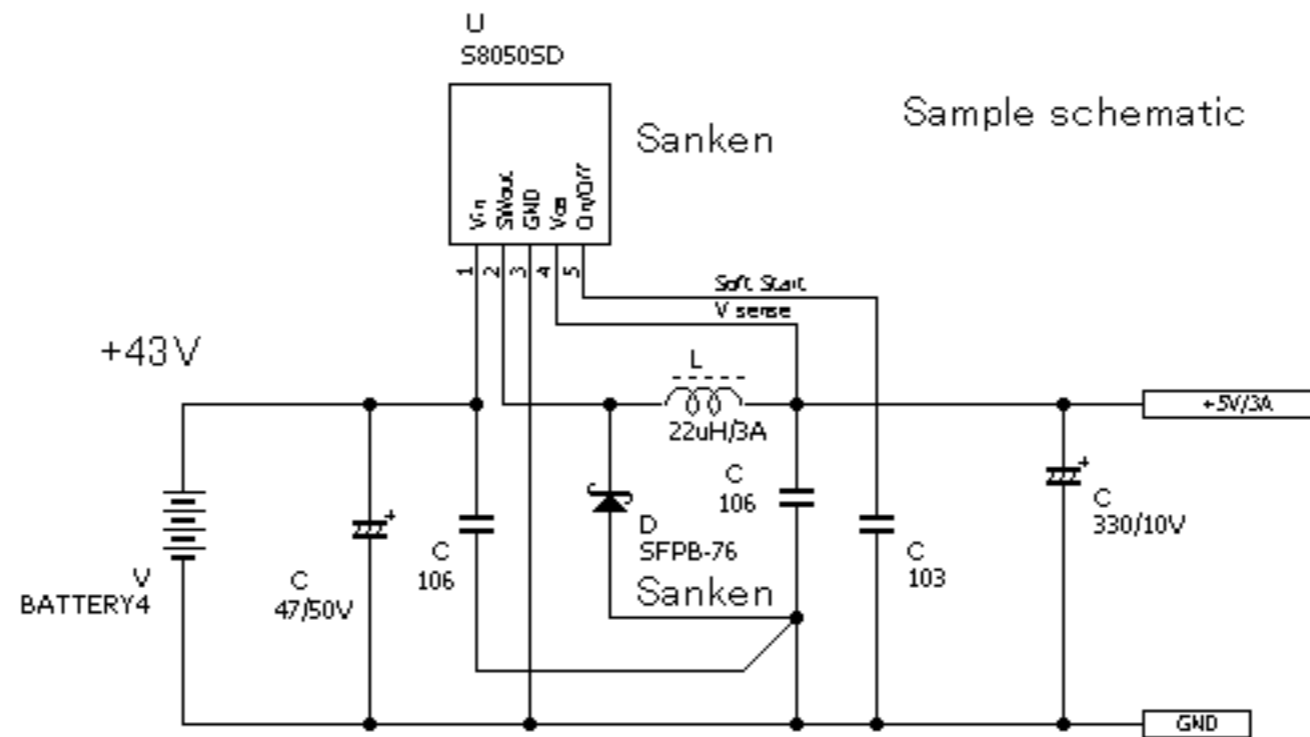
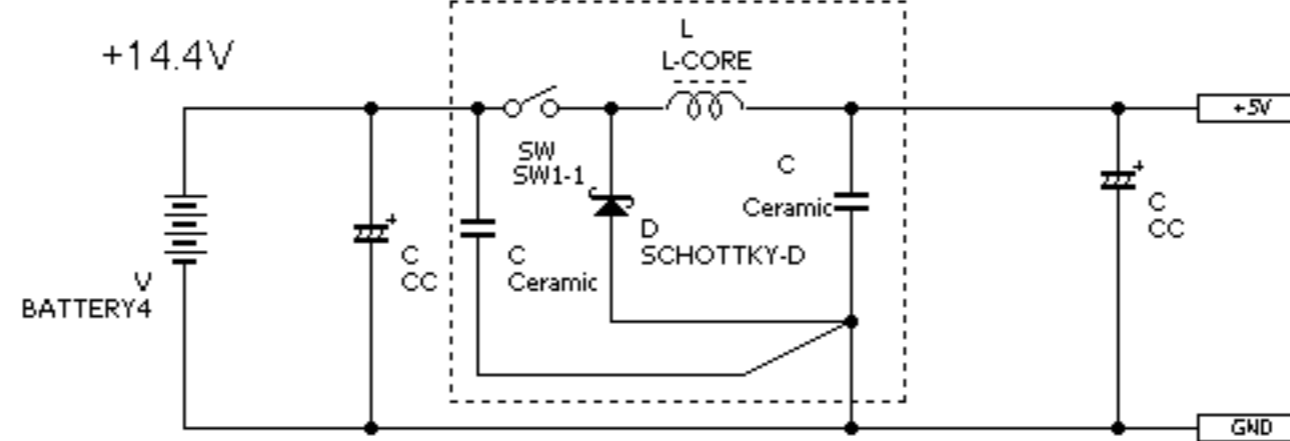
Get the shaft position by measuring the each state inductive kick length.
The minimum length of inductive kick is driving state. And next drive state is the start drive state.

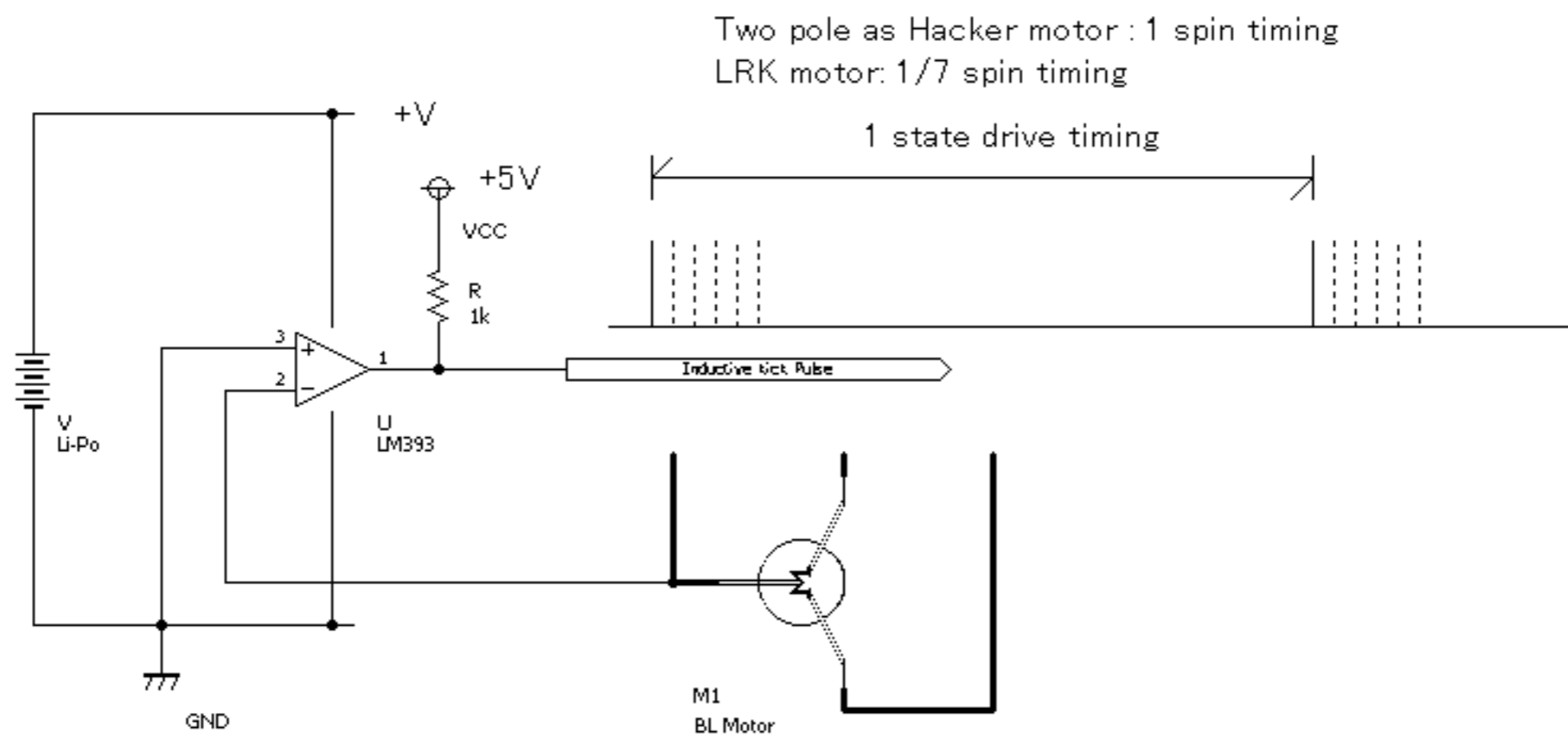


Once the spin starts, then check the next one more state spin as well.
And you can decrease the number of state driving pulse to get spin speed up acceleration to shift to BEMF mode.

Auto adjust for starting parameters

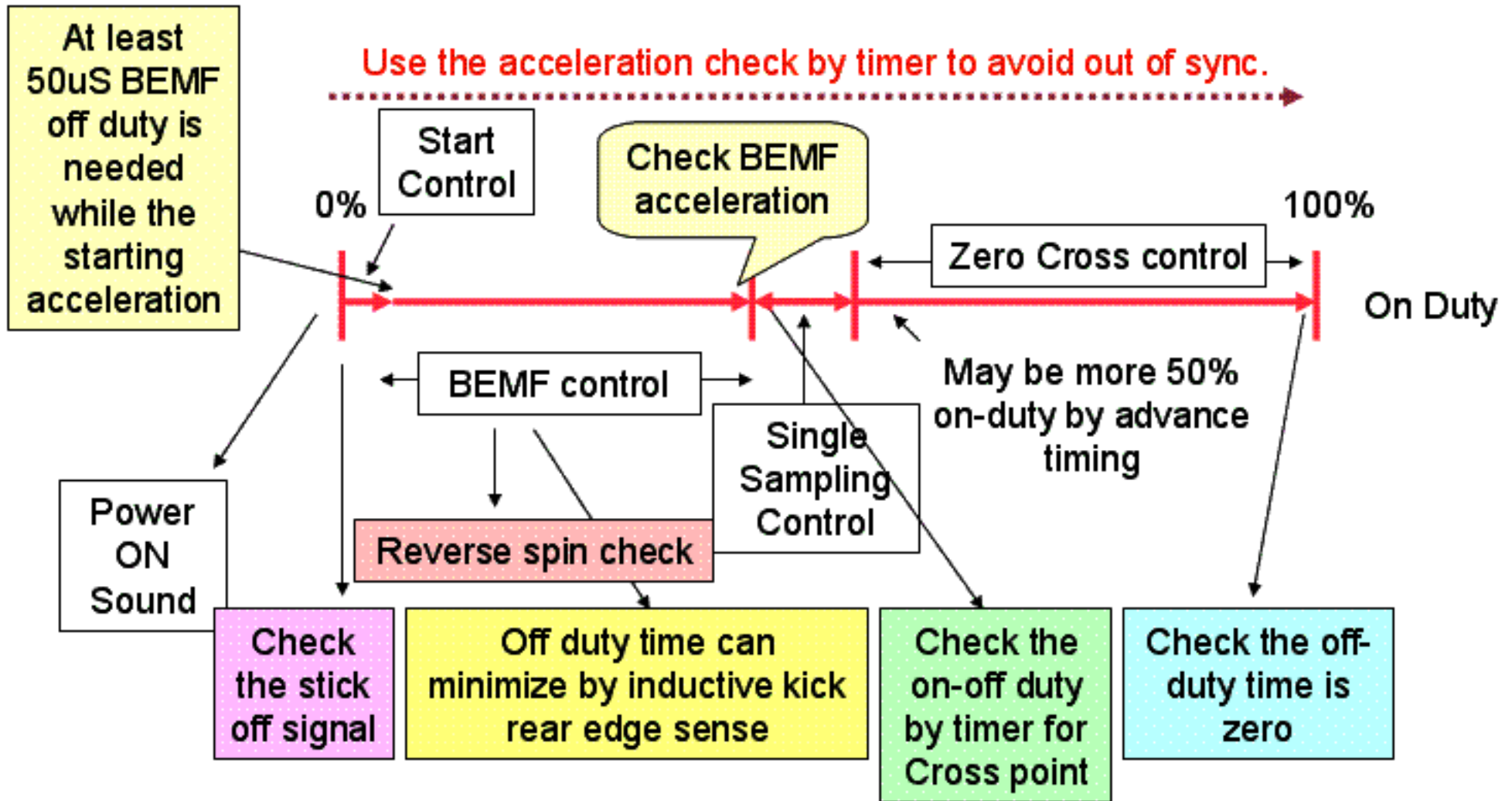
There is a possibility of RF interference from Sw. BEC.
 The wiring point is making small as possible at switching area.
 as the smallest antenna in high current loop.





Date	Rev.	Designed by	Title	Page
'06/08/15	0.2	Takao Shimizu	RPM sensing tap	1/1

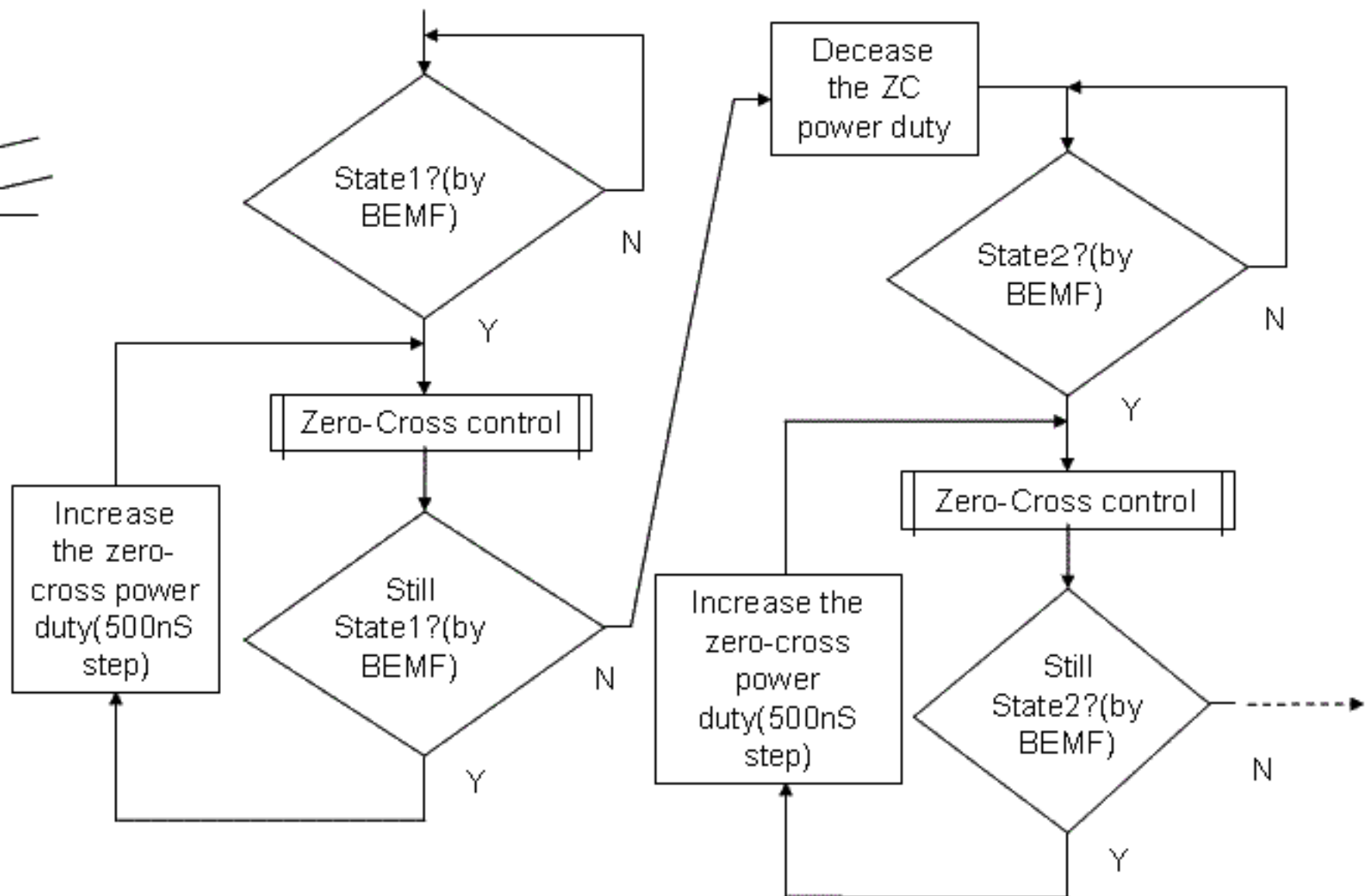
Points for Acceleration Control



The Single Sampling control for AUTO 50% power spin to start zero-cross control



The level sense of zero cross pint is already over in this loop. Therefore, the loop timing is very short. And the 50% power can preciously set



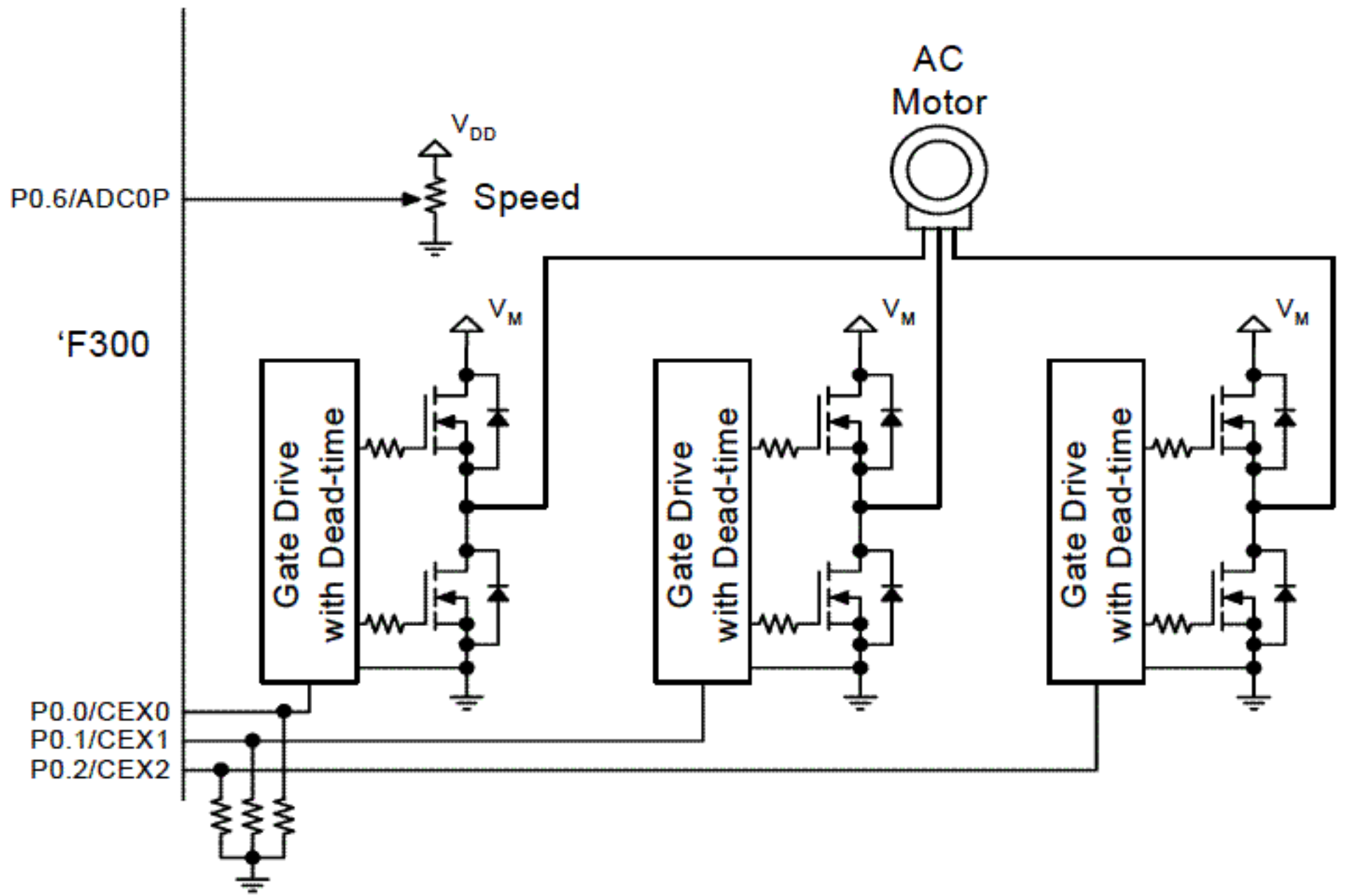


Figure 7. AC Induction Motor Drive

Tek

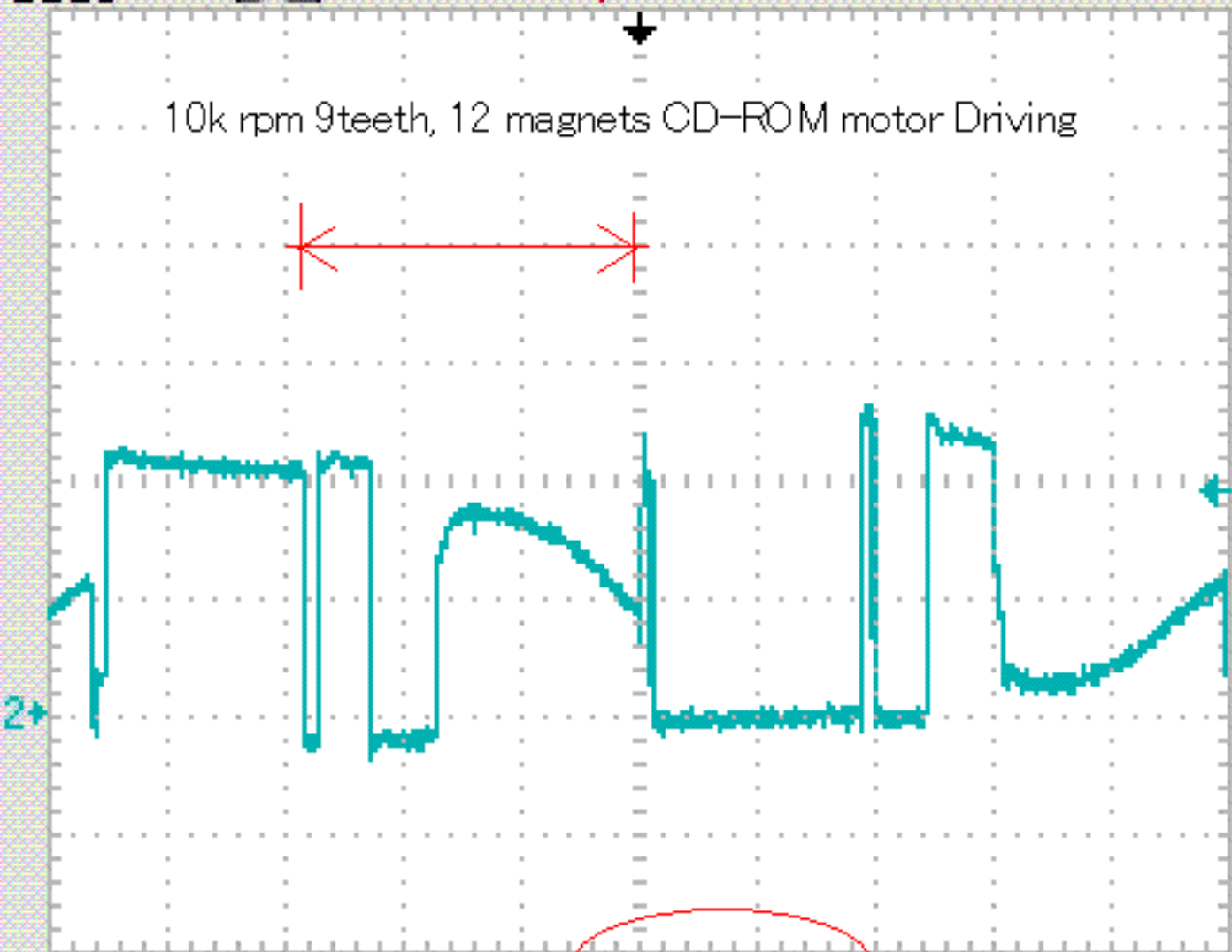


● Stop

M Pos: 0.000s

TRIGGER

10k rpm 9teeth, 12 magnets CD-ROM motor Driving



Type
Edge

Source
CH2

Slope
Rising

Mode
Normal

Coupling
DC

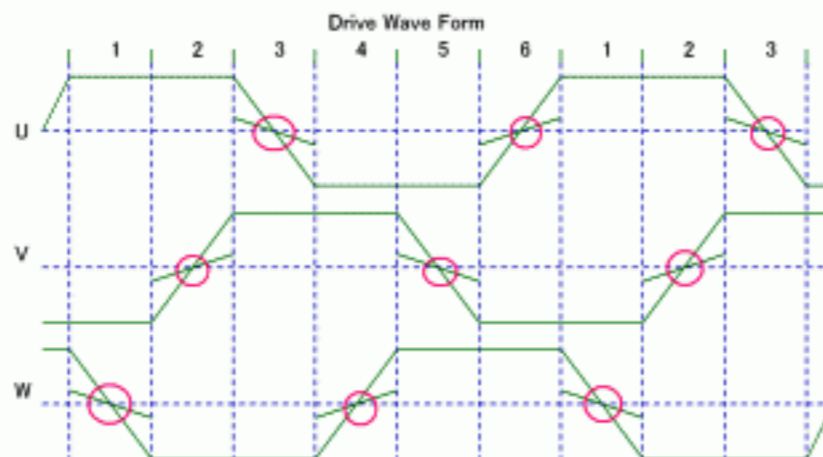
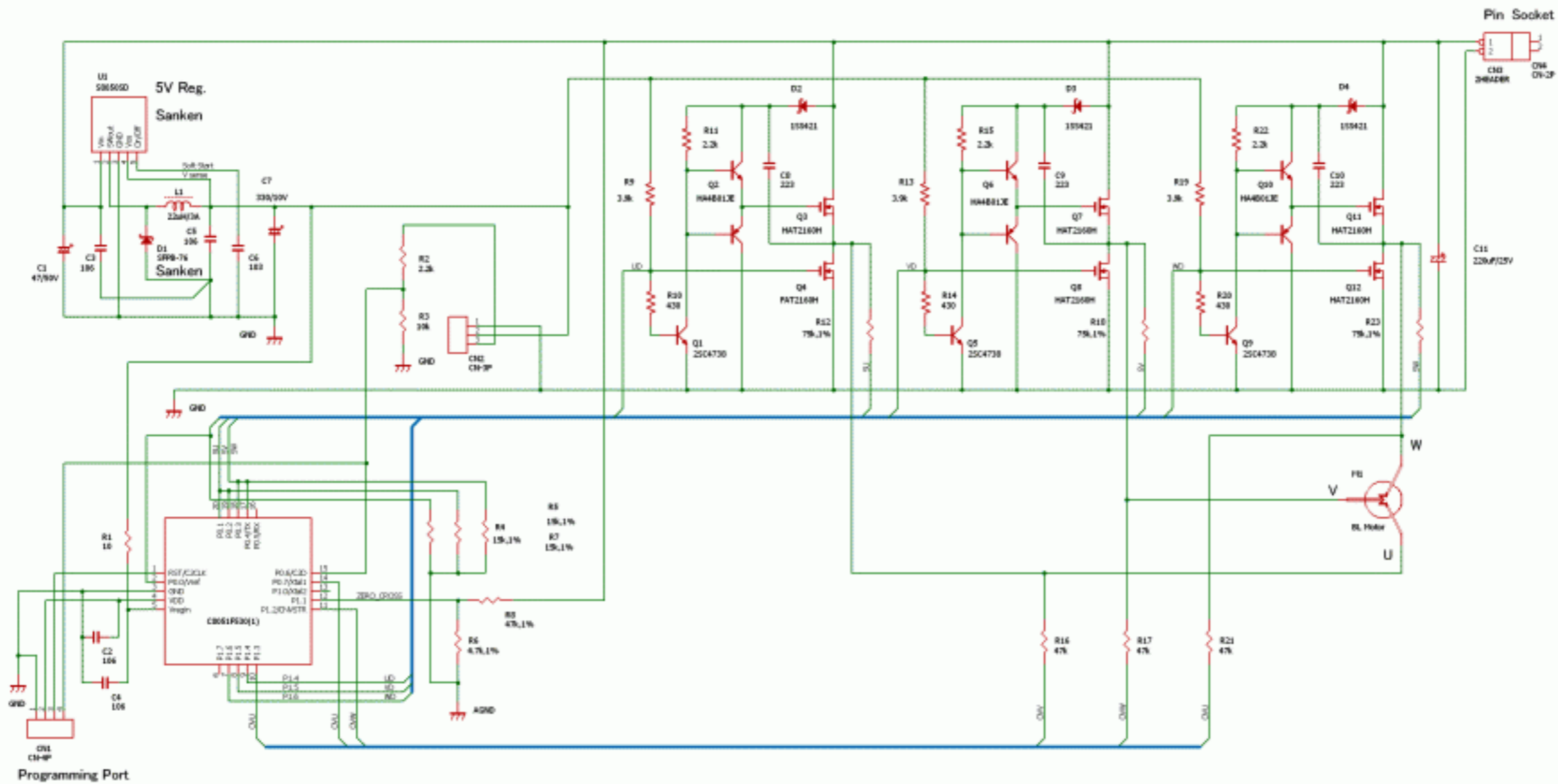
CH2 5.00V

M 100 μs

CH2 9.40V

13-Sep-06 09:44

<10Hz

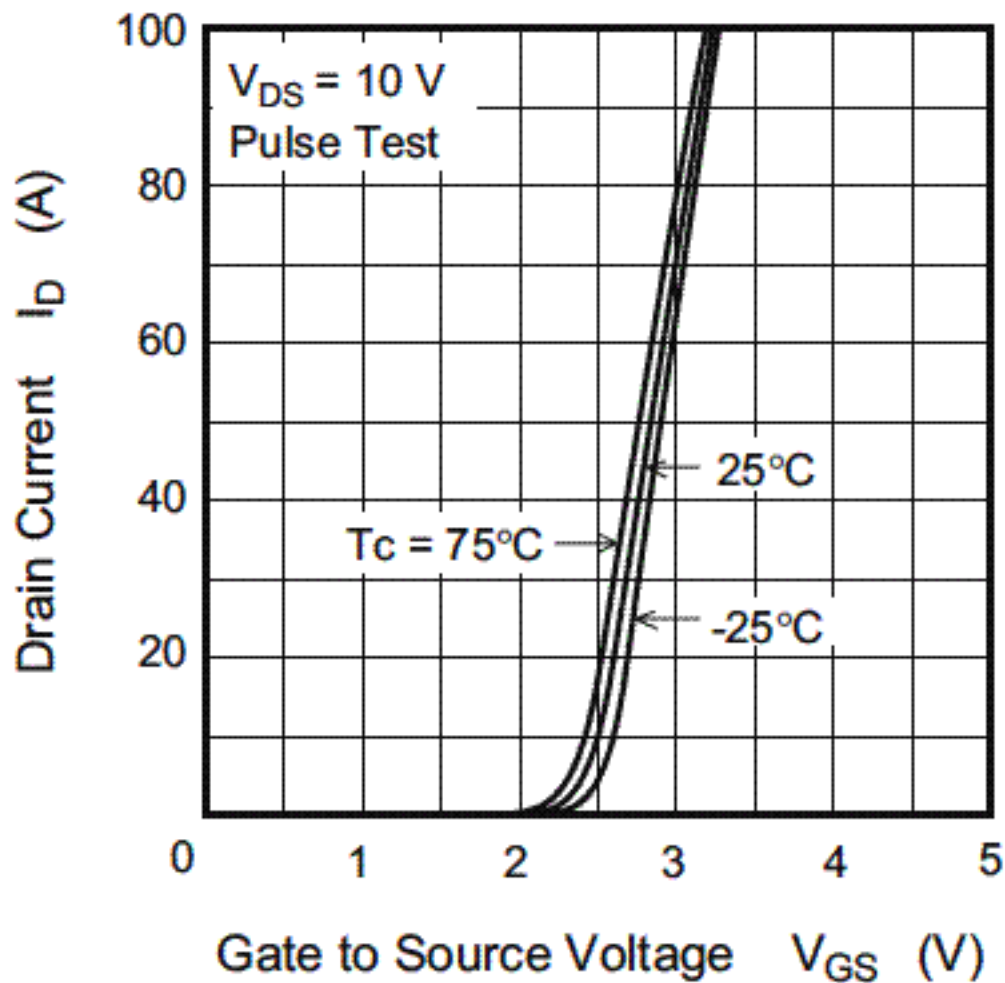


Date	Rev.	Designed by	Title	Page
'06/12/06	0.1a	Takao Shimizu	Brushless Sensor-less Electric Speed Controller Schematic	1/1

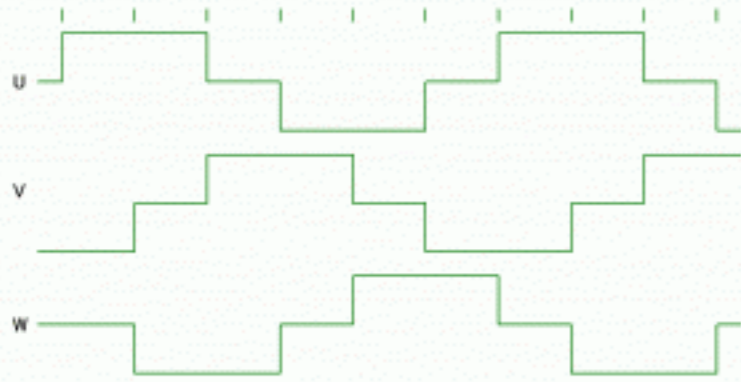
Table 14.1. Port I/O DC Electrical Characteristics $V_{IO} = 2.7$ to 5.25 V, -40 to $+125$ °C unless otherwise specified

Parameters	Conditions	Min	Typ	Max	Units
Output High Voltage	$I_{OH} = -3$ mA, Port I/O push-pull	TBD	—	—	V
	$I_{OH} = -10$ μ A, Port I/O push-pull	TBD	—	—	
	$I_{OH} = -10$ mA, Port I/O push-pull	—	TBD	—	
Output Low Voltage	V = 2.7 V:				V
	$I_{OL} = 10$ μ A	—	—	TBD	
	$I_{OL} =$ TBD	—	—	TBD	
	$I_{OL} =$ TBD	—	TBD	—	
	V = 5.25 V:				
	$I_{OL} = 10$ μ A	—	—	TBD	
$I_{OL} = 8.5$ mA	—	—	TBD		
$I_{OL} = 25$ mA	—	TBD	—		
Input High Voltage		TBD	—	—	V
Input Low Voltage		—	—	TBD	V
Input Leakage Current	Weak Pullup Off	—	—	\pm TBD	μ A
	Weak Pullup On, $V_{IN} = 0$ V; V = 2.0 V	—	< 0.11	TBD	
	Weak Pullup On, $V_{IN} = 0$ V; V = 2.4 V	—	< 0.14	TBD	

Typical Transfer Characteristics

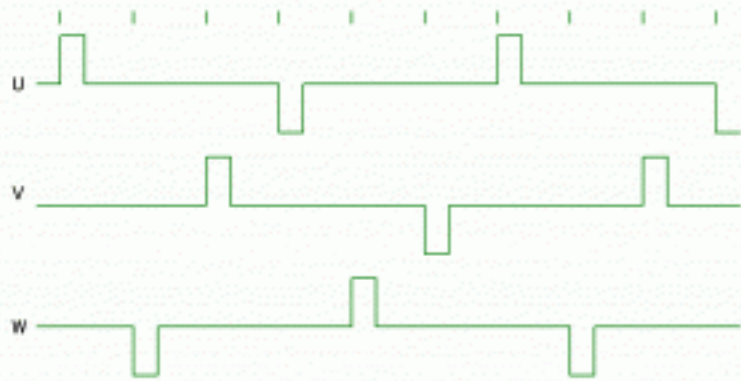


Drive Wave Form



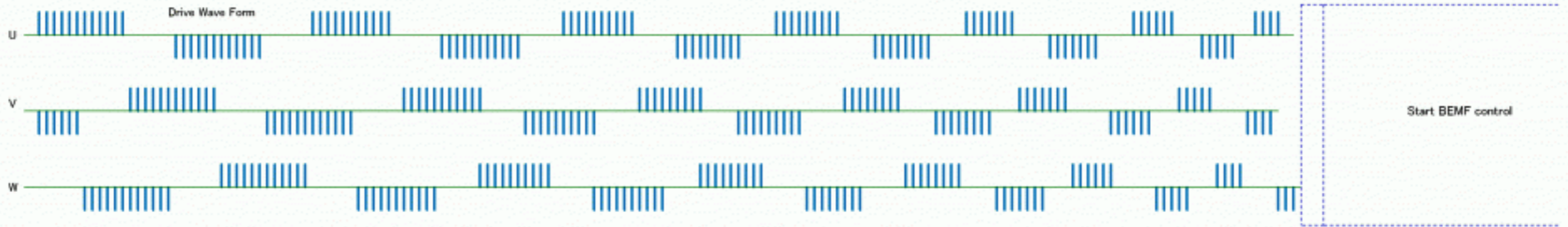
Can not drive the coil too small resistance.

Drive Wave Form



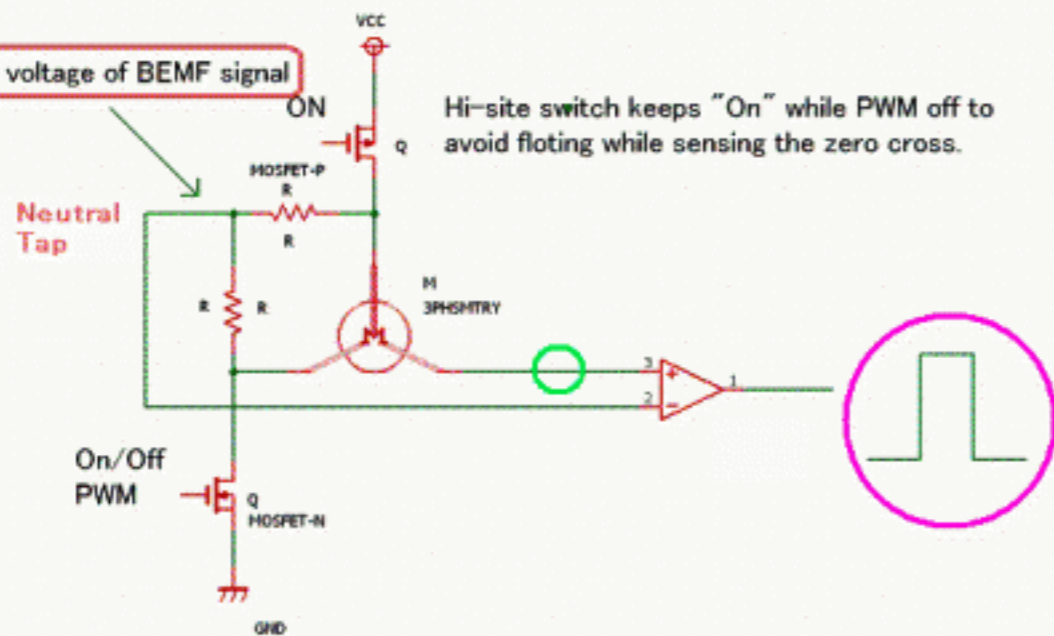
You can reduce the starting current. But, It only vibrate only. Never start.

Use the magnetic-Electric brake for stepping drive. You need only a few amp. to sync. step. And do not forget the acceleration drive timing.

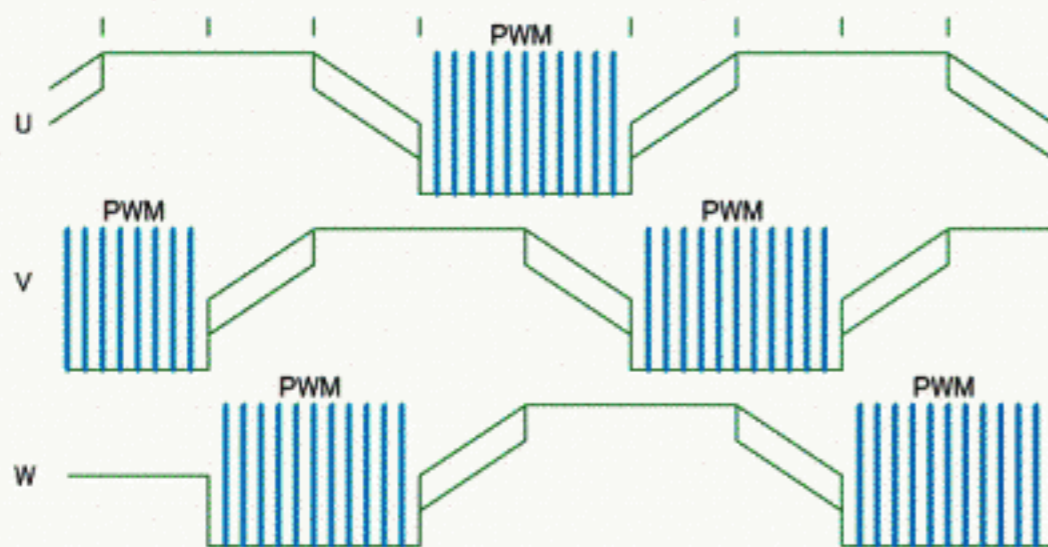


Date	Rev.	Designed by	Title	Page
'07/01/13	0.1	Takao Shimizu	Sensor-less Brush-less Motor starting control image	1/1

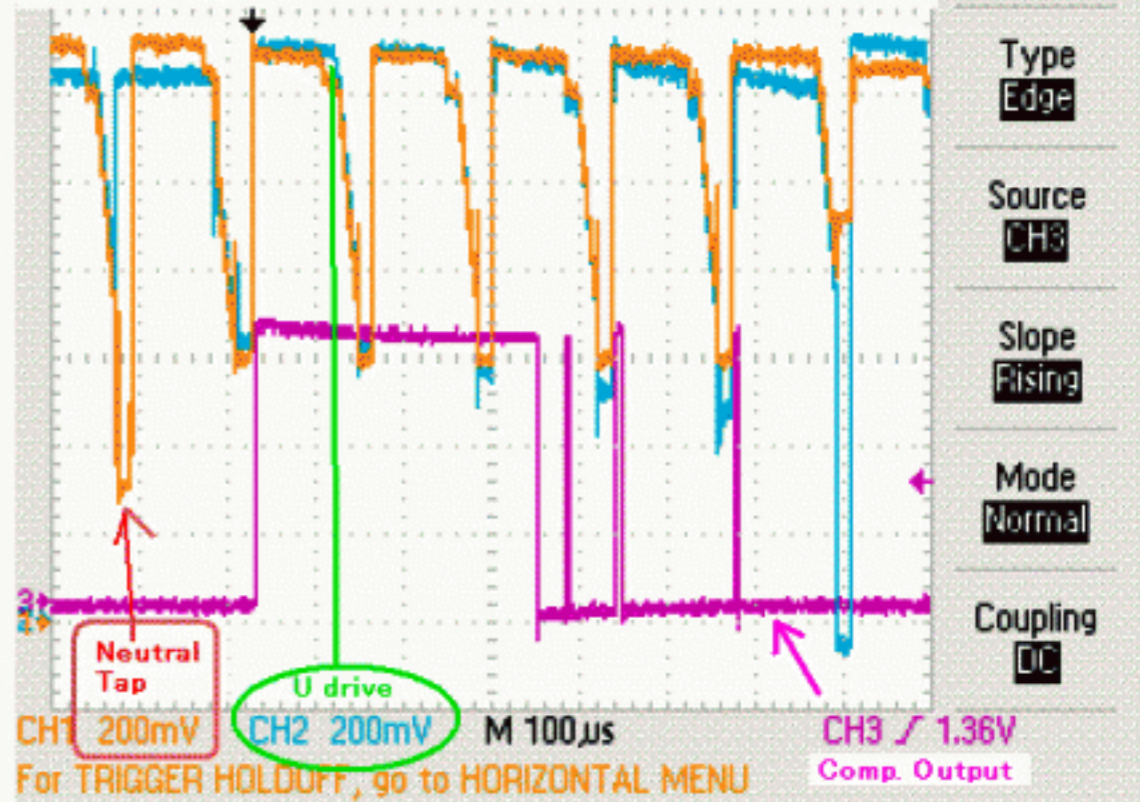
Still keep center voltage of BEMF signal



Drive Wave Form



Check the zero cross over at each end of PWM state



Date	Rev.	Designed by	Title	Page
'07/01/20	0.1	Takao Shimizu	Zero Cross sensing while PWM switching	1/1

Still keep center voltage of BEMF signal while switching, and in inductive kick

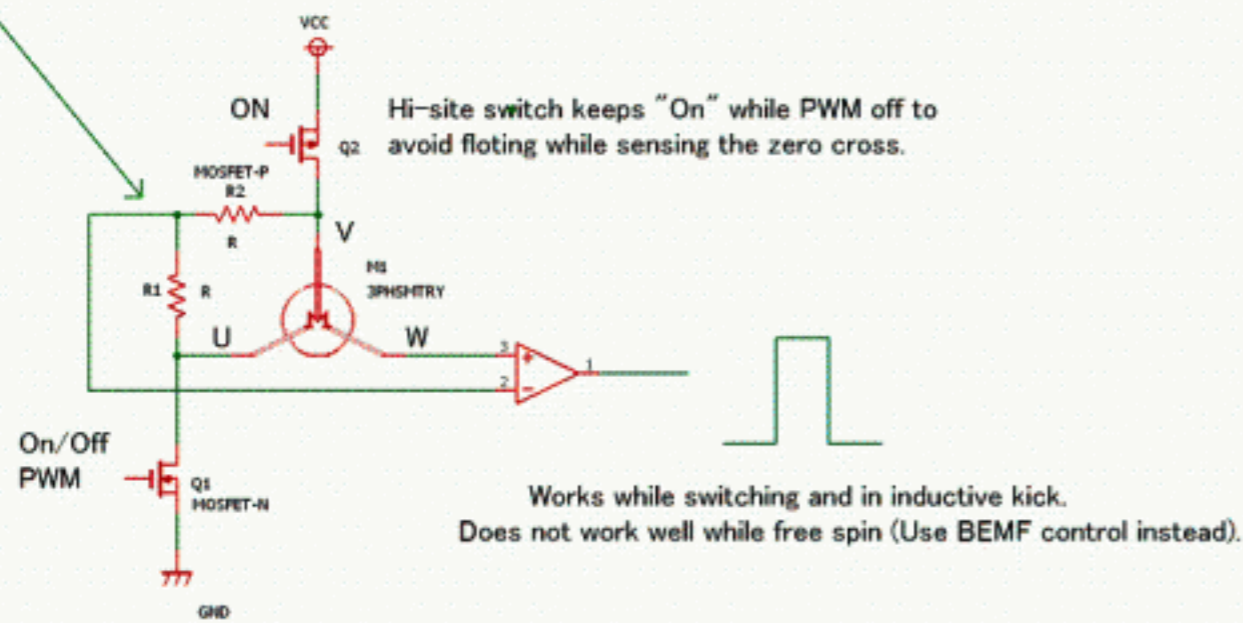


Fig.1: Two wire center tap sensing

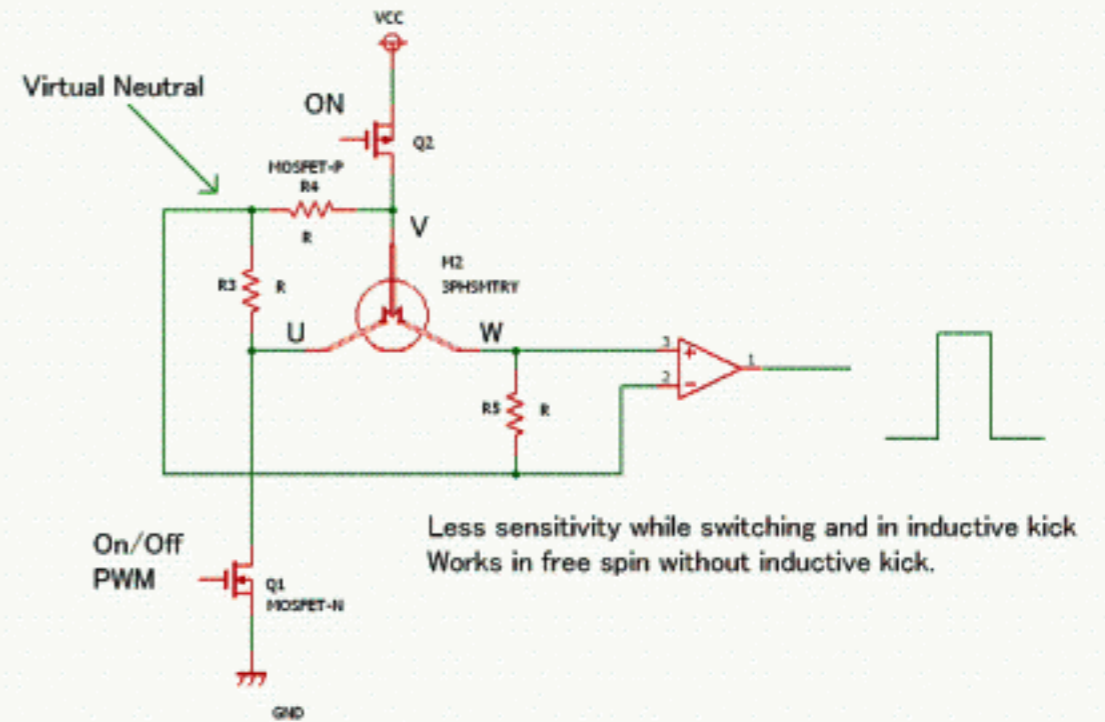
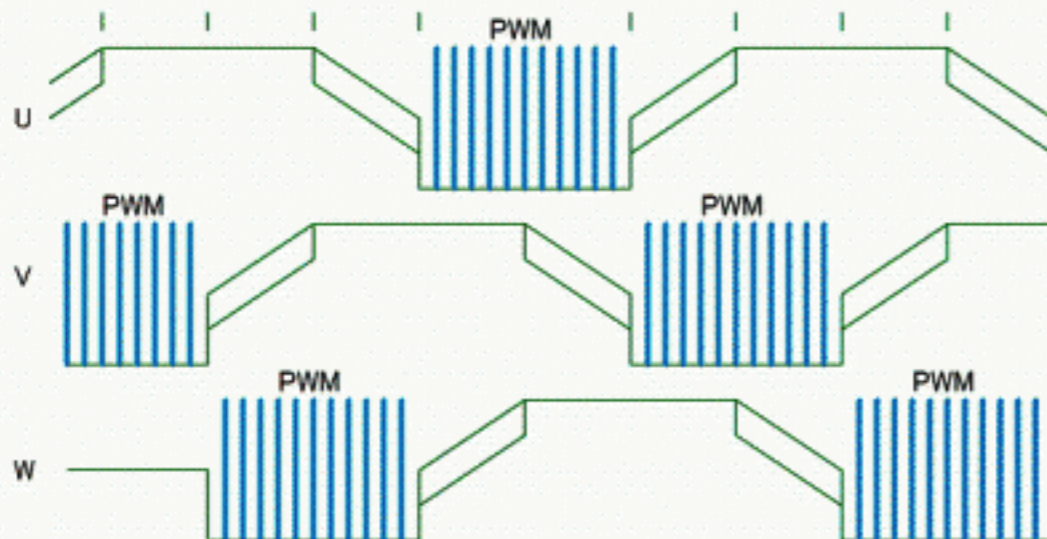


Fig 2: Virtual Neutral sensing

Drive Wave Form



Note:

- * Each generative voltage wave is 120 degree difference while PWM off as free spin. But, the activated lines are 180 degree difference in switching drive mode.
- * There is the difference of Rds-ON between Q1 and Q2

Date	Rev.	Designed by	Title	Page
'07/01/27	0.2	Takao Shimizu	Zero Cross sensing while PWM switching	1/1

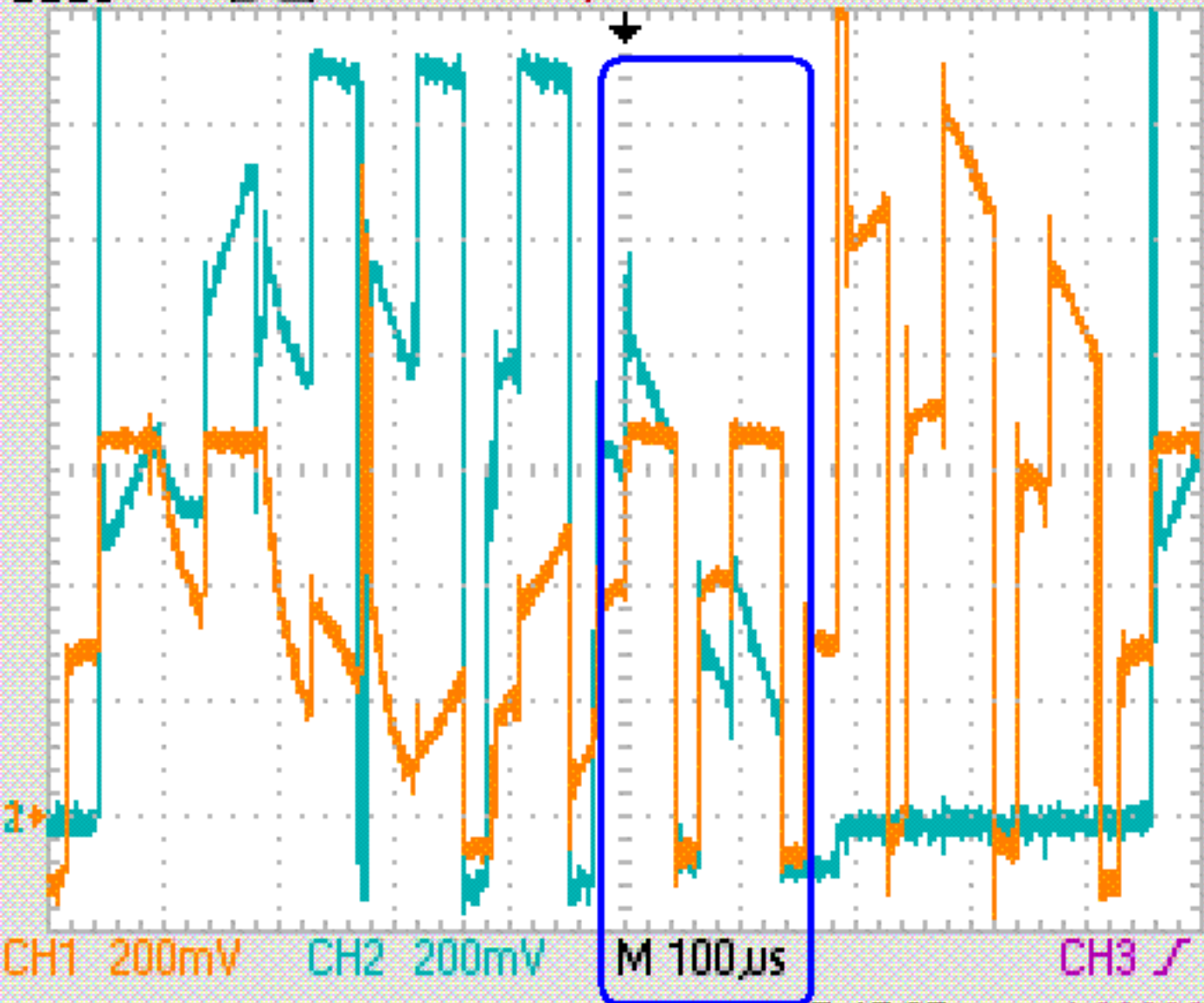
Tek



● Stop

M Pos: 0.000s

CH3



Coupling
DC

BW Limit
Off
100MHz

Volts/Div
Coarse

Probe
10X

Invert
Off

CH1 200mV

CH2 200mV

M 100 μs

CH3 2.20V

25-Jan-07 15:37

1.09228kHz

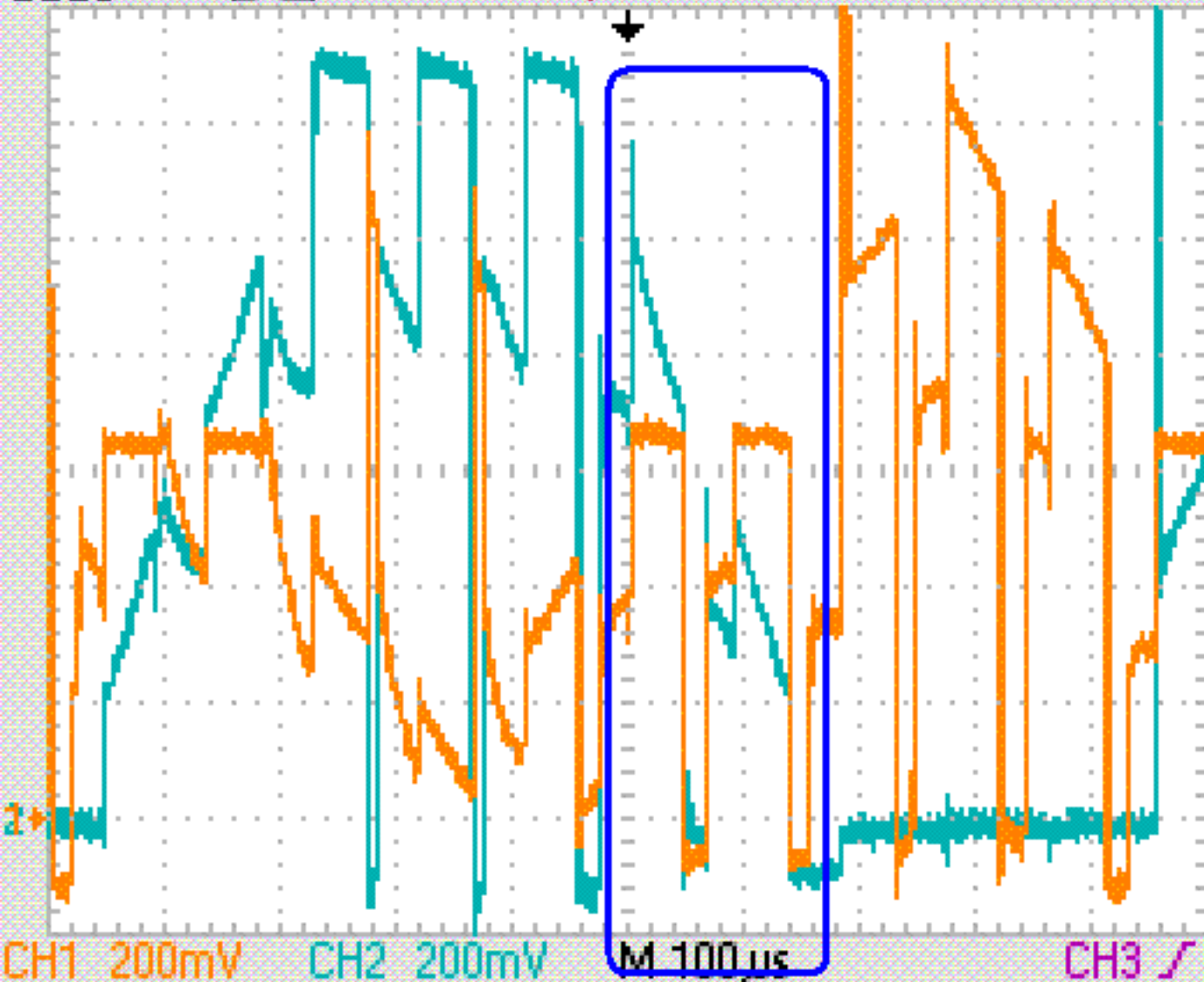
Tek



● Stop

M Pos: 0.000s

CH3



Coupling

DC

BW Limit

Off

100MHz

Volts/Div

Coarse

Probe

10X

Invert

Off

CH1 200mV

CH2 200mV

M 100 μs

CH3 2.20V

25-Jan-07 15:38

<10Hz

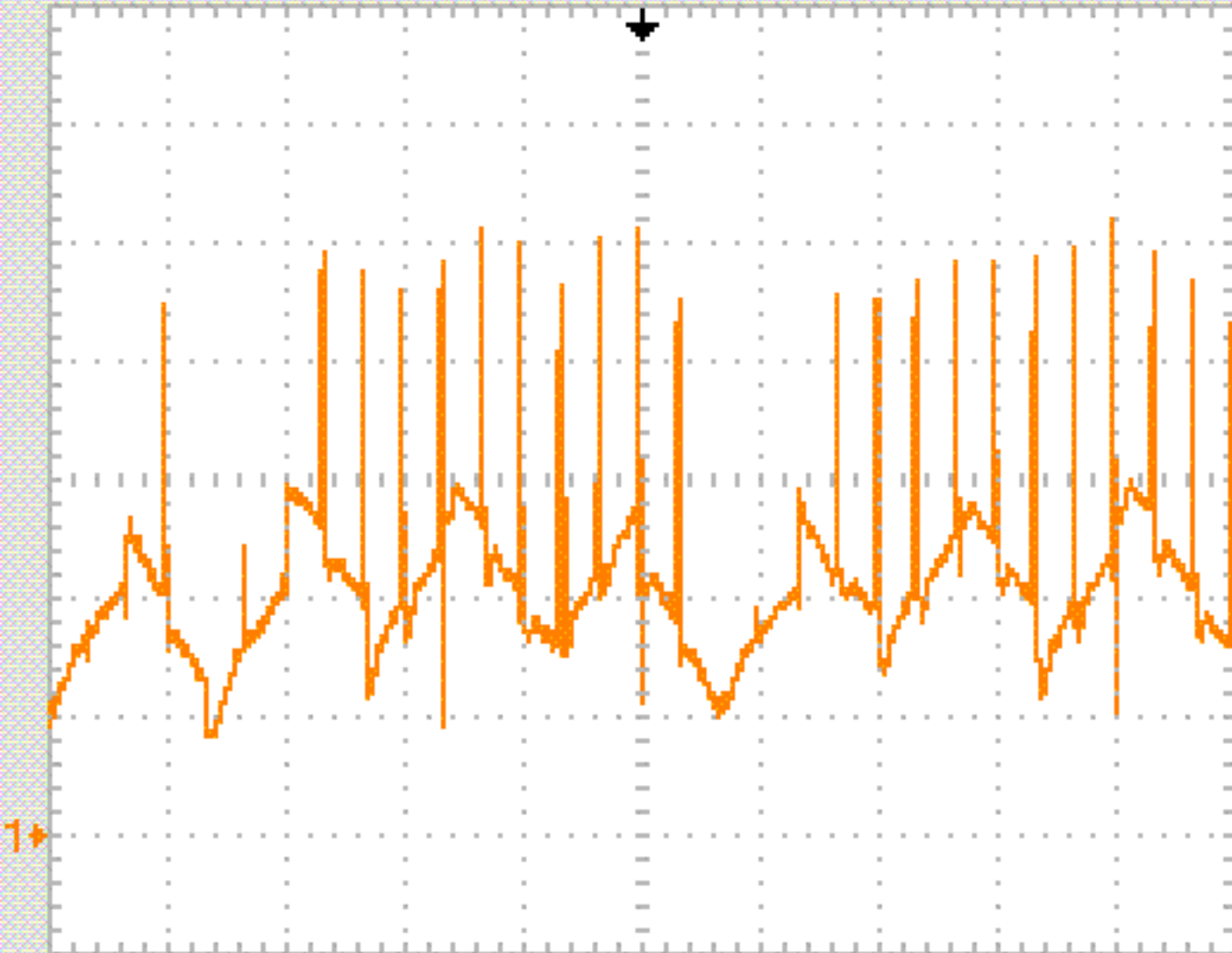
Tek



Trig'd

M Pos: 0.000s

CH3



Coupling

DC

BW Limit

Off

100MHz

Volts/Div

Coarse

Probe

10X

Invert

Off

CH1 200mV

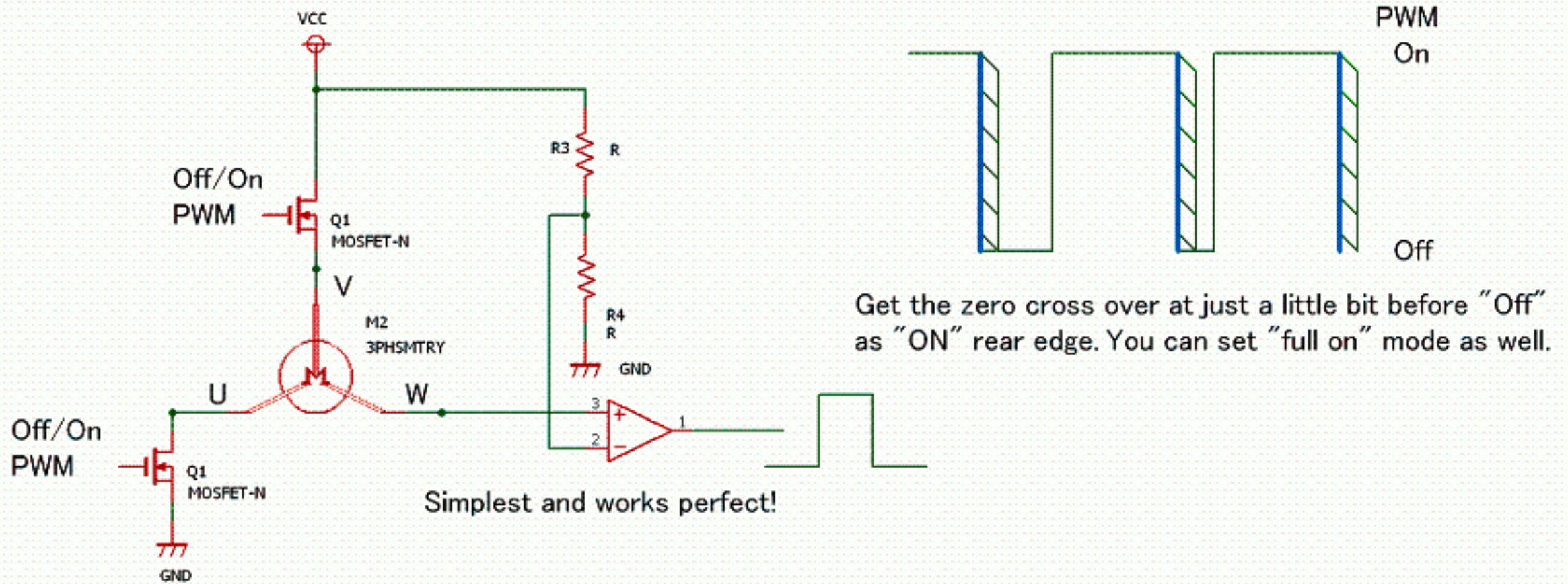
M 250 μs

CH3 3.20V

27-Jan-07 15:16

940.224Hz

Fig : 1/2 VDD sensing



Note:

- *Use same MOSFET both H/L site.
- *"Off" first, And "On". Get the zero cross detect result at the of "ON" fall egde for sampling.

Date	Rev.	Designed by	Title	Page
'07/01/27	0.2	Takao Shimizu	Zero Cross sensing while PWM switching	1/1

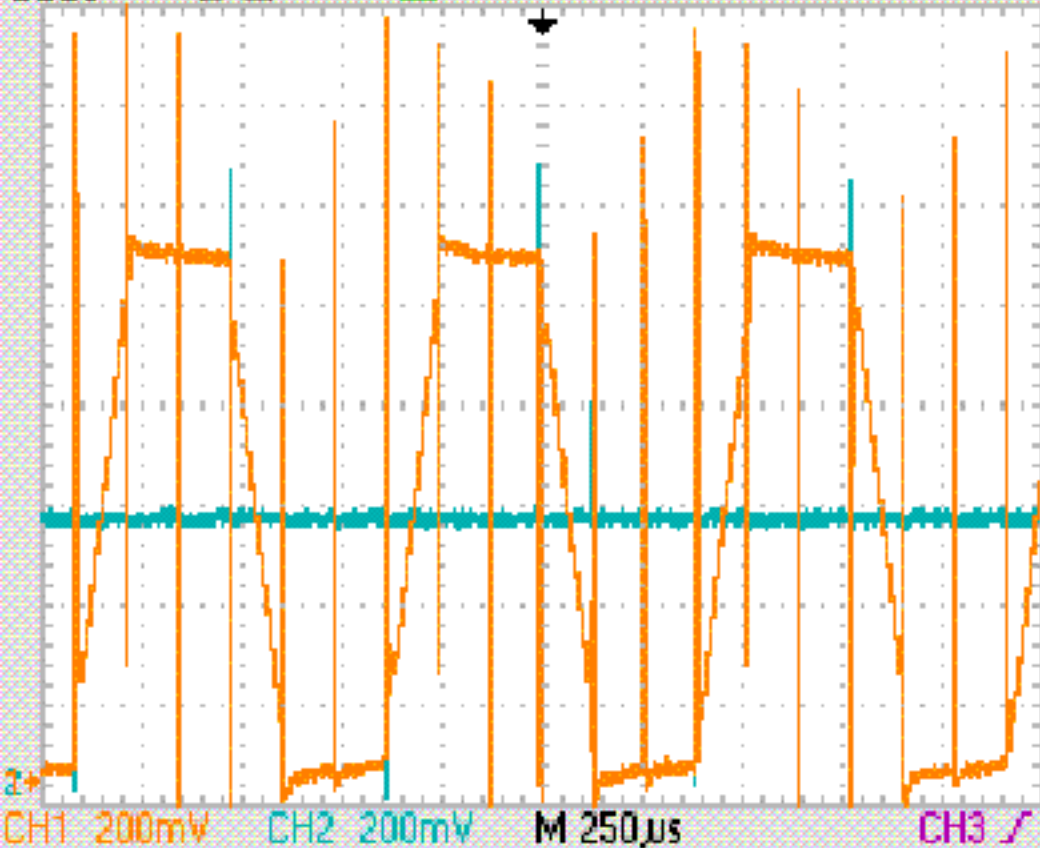
Tek



Trig'd

M Pos: 0.000s

CH3



Coupling

DC

BW Limit

Off

100MHz

Volts/Div

Coarse

Probe

10X

Invert

Off

CH1 200mV

CH2 200mV

M 250µs

CH3 2.76V

30-Jan-07 00:59

2.60428kHz

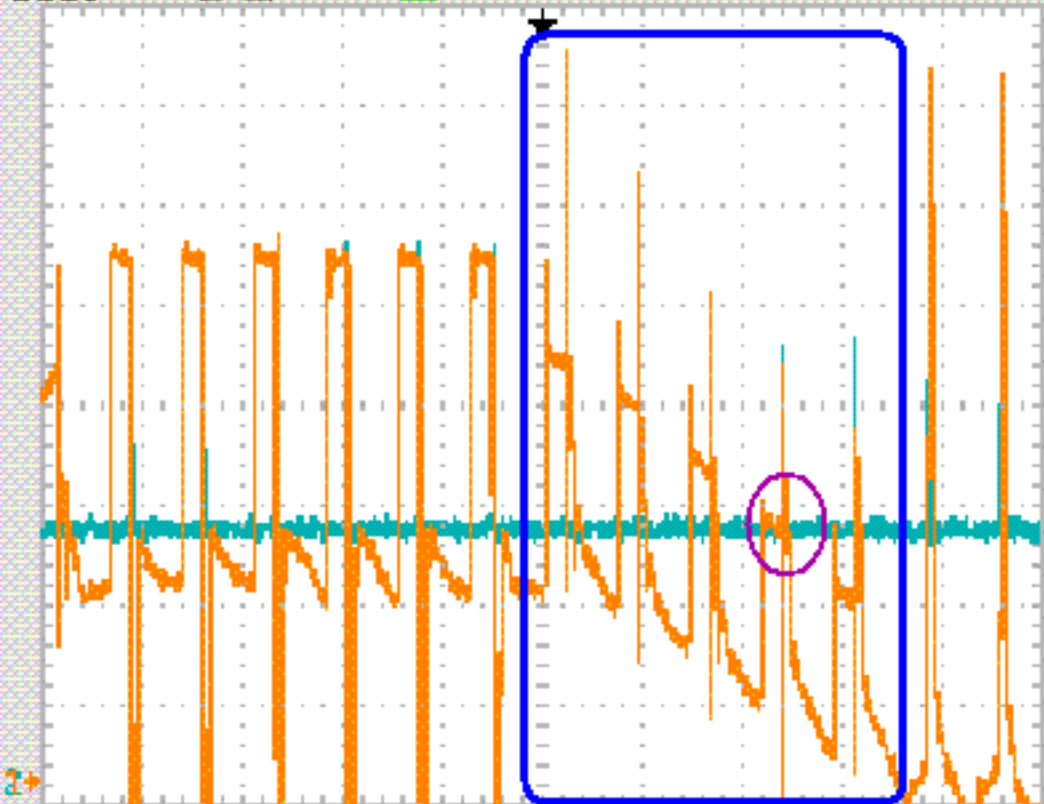
tek



Trig'd

M Pos: 0.000s

CH3



Coupling

DC

BW Limit

Off

100MHz

Volts/Div

Coarse

Probe

10X

Invert

Off

2

CH1 200mV

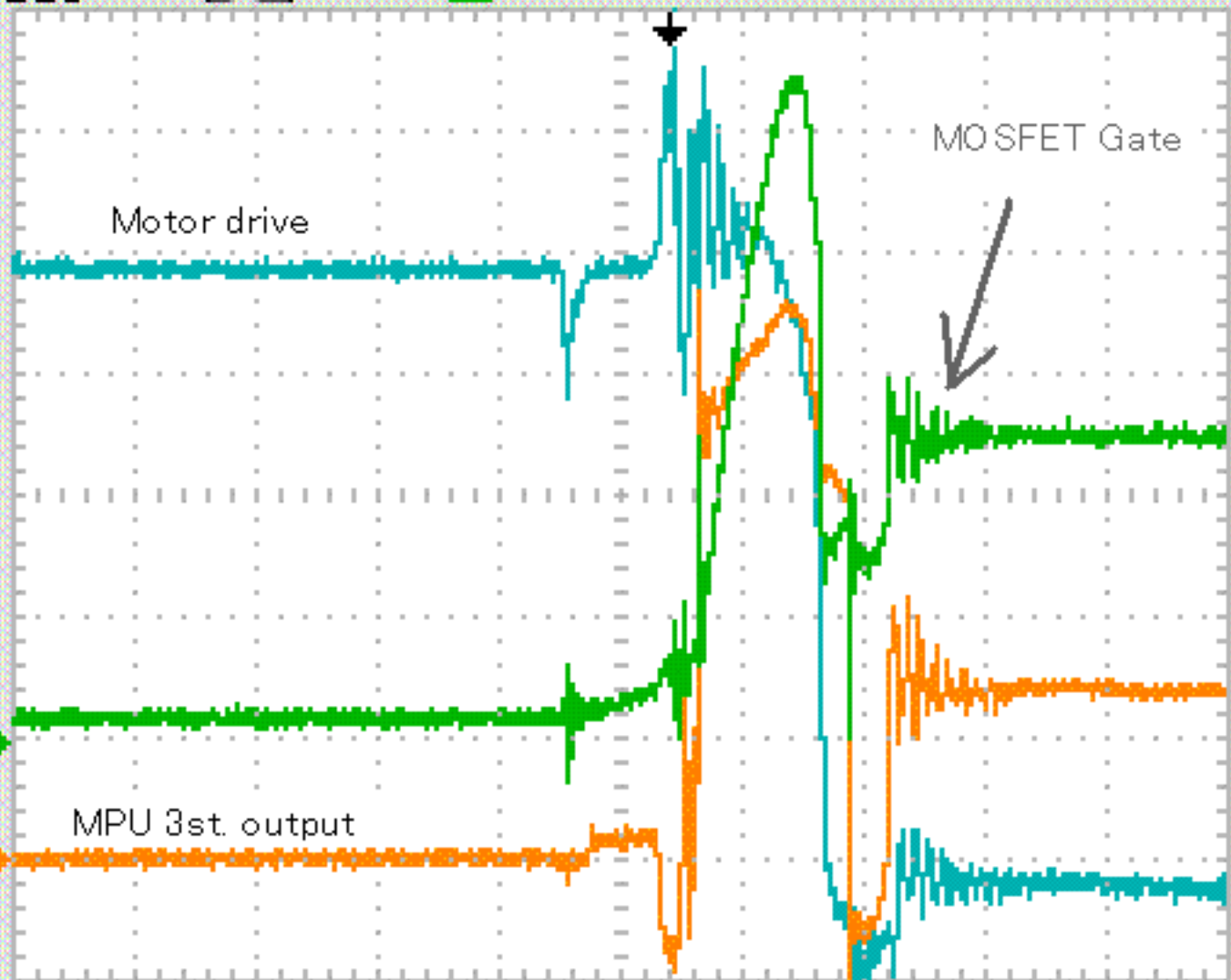
CH2 200mV

M 100µs

CH3 2.76V

30-Jan-07 00:58

2.38870kHz



Coupling

DC

BW Limit

Off

100MHz

Volts/Div

Coarse

Probe

10X

Invert

Off

CH1 1.00V

CH2 200mV

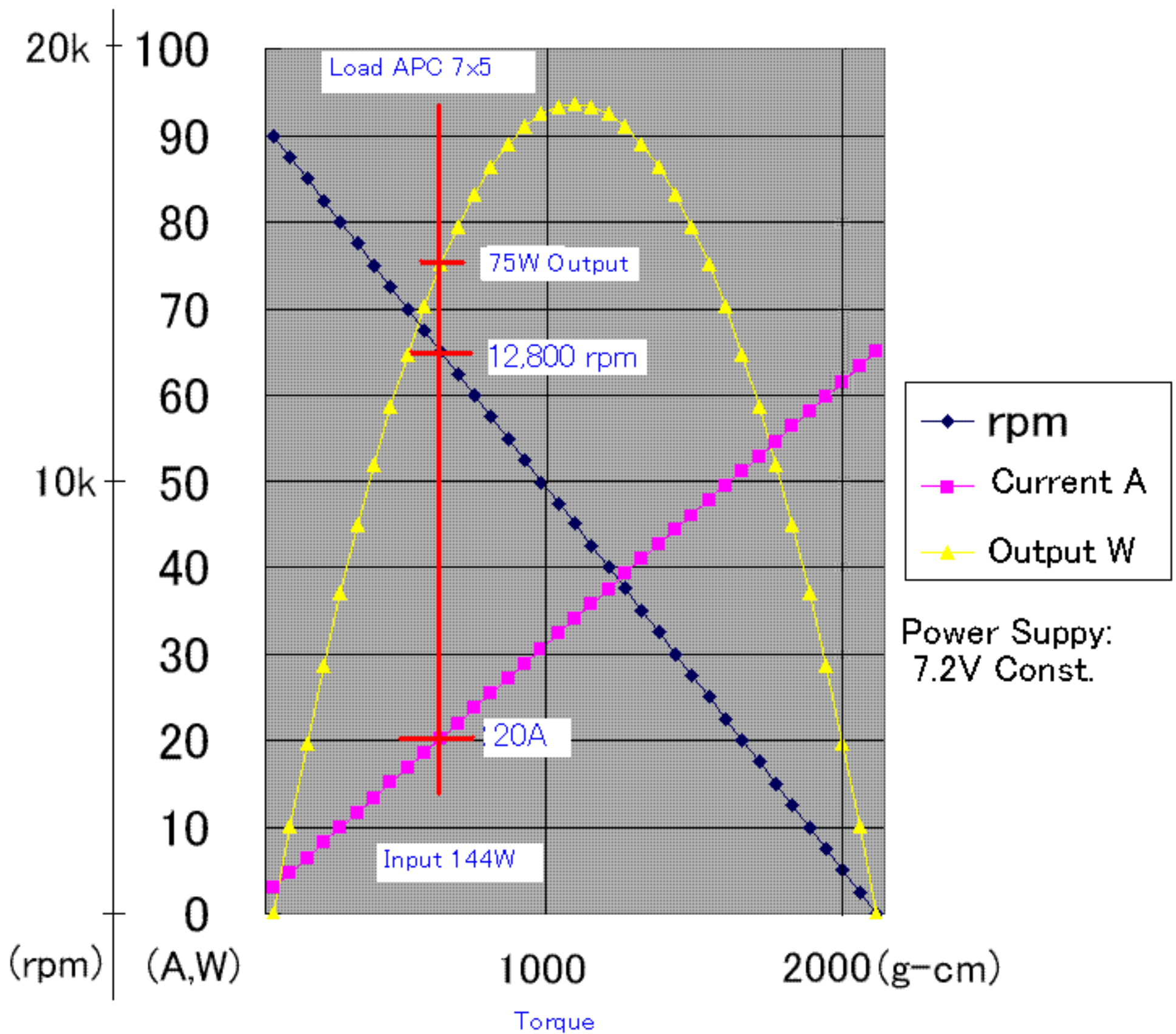
M 500ns

CH3 ~ 2.88V

CH4 500mV

18-Feb-07 15:49

1.01485kHz



RS-540 Sports tuned motor
(Tamiya Brand)

8.7.5.3 If the motor is sensed:

It must use a six position JST ZH connector model number ZHR-6 or equivalent connector with 6 JST part number SZH-002T-PO.5 26-28 awg contacts or equivalent.

Wire sequence must be as follows:

Pin #1- Black wire-ground potential

Pin #2- Orange wire-phase C

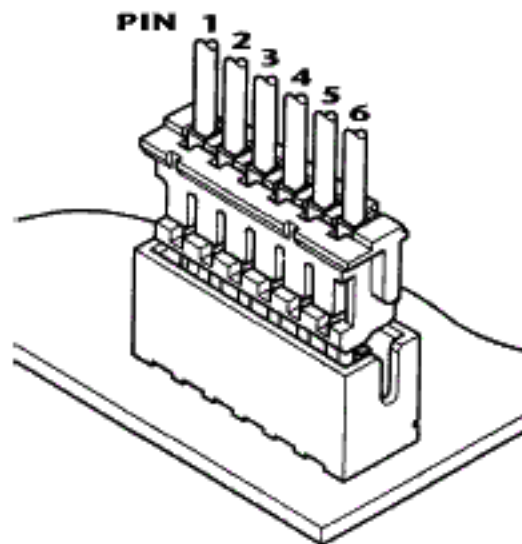
Pin #3- White wire-phase B

Pin #4- Green wire-phase A

Pin #5- Blue wire-temp control, 10 k Thermistor referenced to ground potential

Pin #6- Red wire-+ 5.0 volts \pm 10% Mine is 3.3V operation CPU. This is over Vdd.

For clarification pin #1 is on the left hand side of the above connector with the wires exiting the top of the connector and the plastic tangs that hold the contacts in the housing are facing forward. See drawing below.



What the meaning of A,B,C?

Coil temp?

Compatible speed control must use the six position JST header part number X-6B-ZR-SMX-TK (where the X denotes the style of the header), or equivalent.

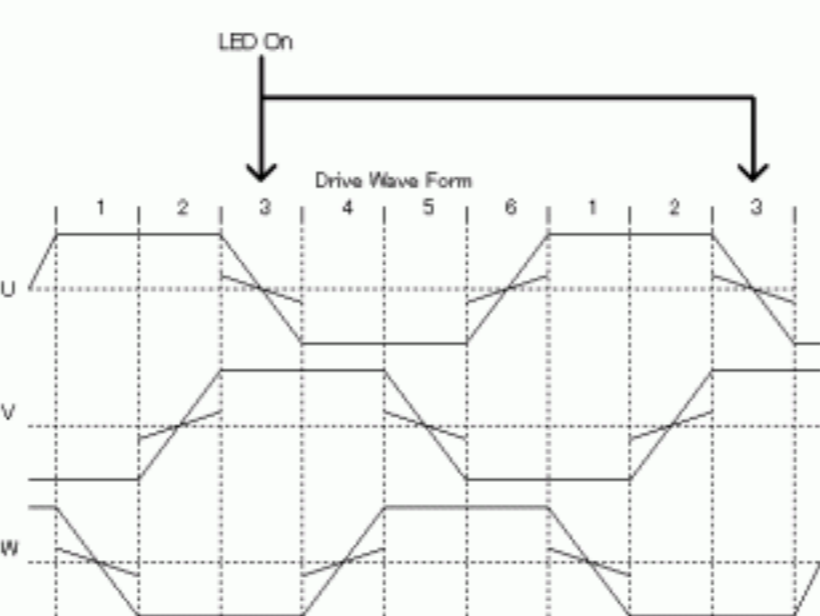
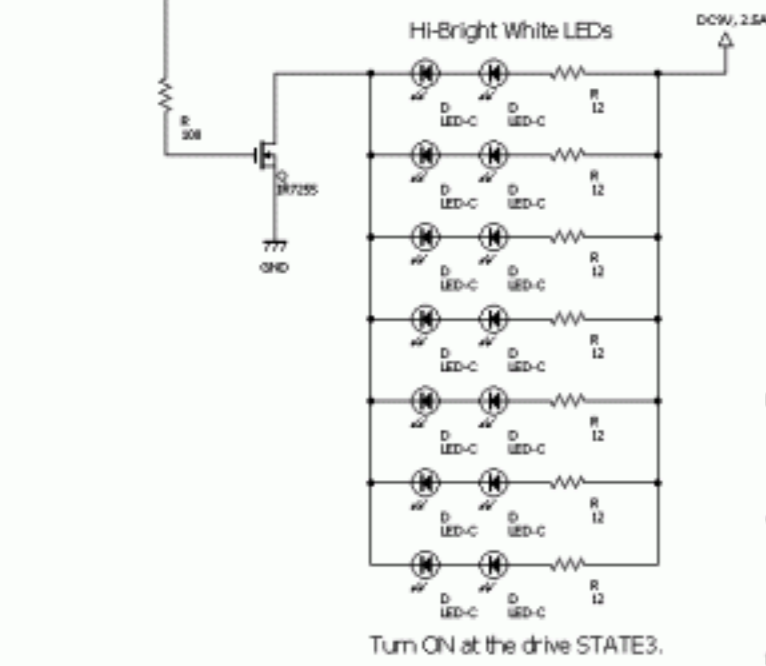
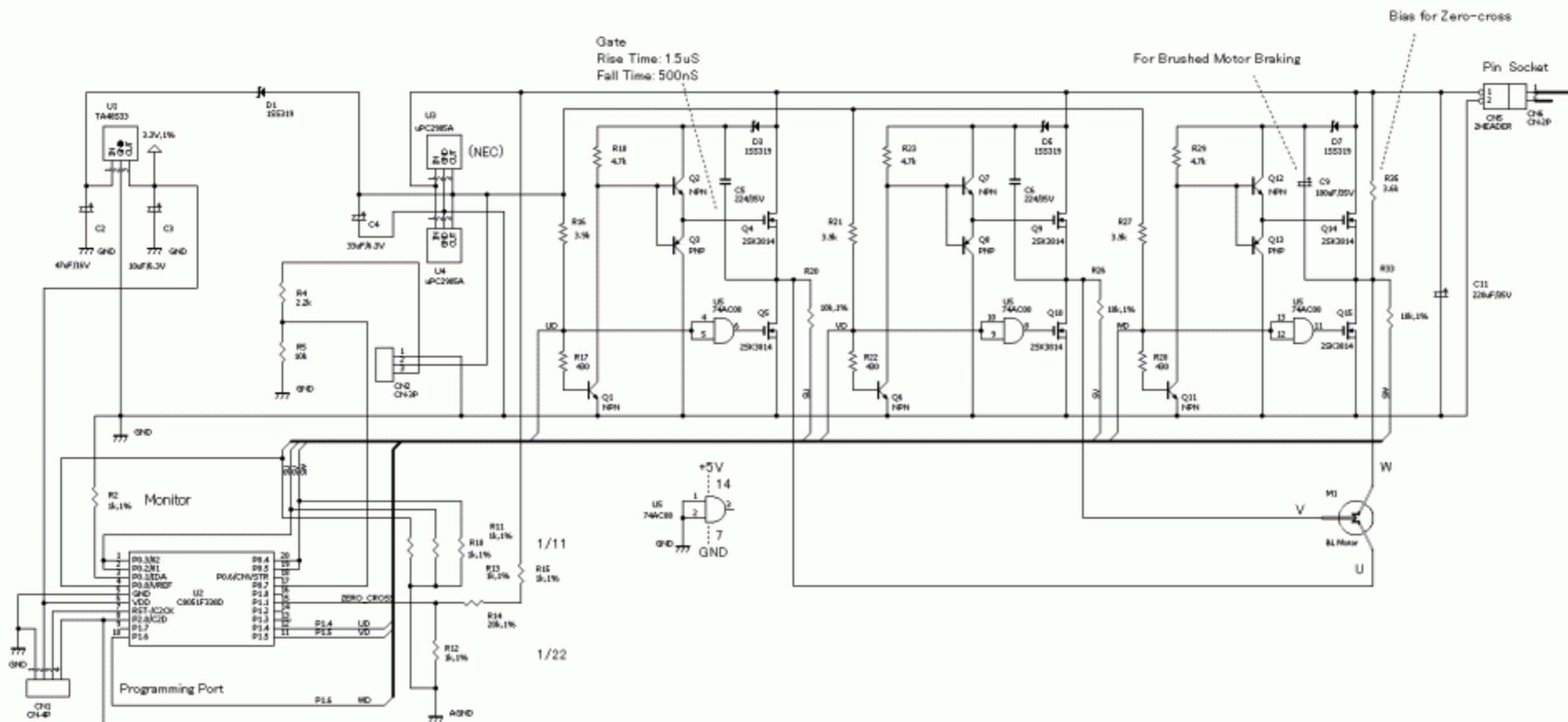
The power connector has to be clearly marked A, B, C. on both speed control and motor.

A for phase A

B for phase B

C for phase C

The comparator may be installed in the motor?



Date	Rev.	Designed by	Title	Page
07/12/25	0.1a	Takao Shimizu	Brushless Sensorless Electric Speed Controller Schematic	1/1

ATmega48

ADC0

ADC6

ADC7

AIN0

GND

Virtual Center Tap
Point



R1
3.3k

R2
3.3k

R3
3.3k

MOSFET-P

MOSFET-P

MOSFET-P

R4
10k

R5
10k

R6
10k

MOSFET-N

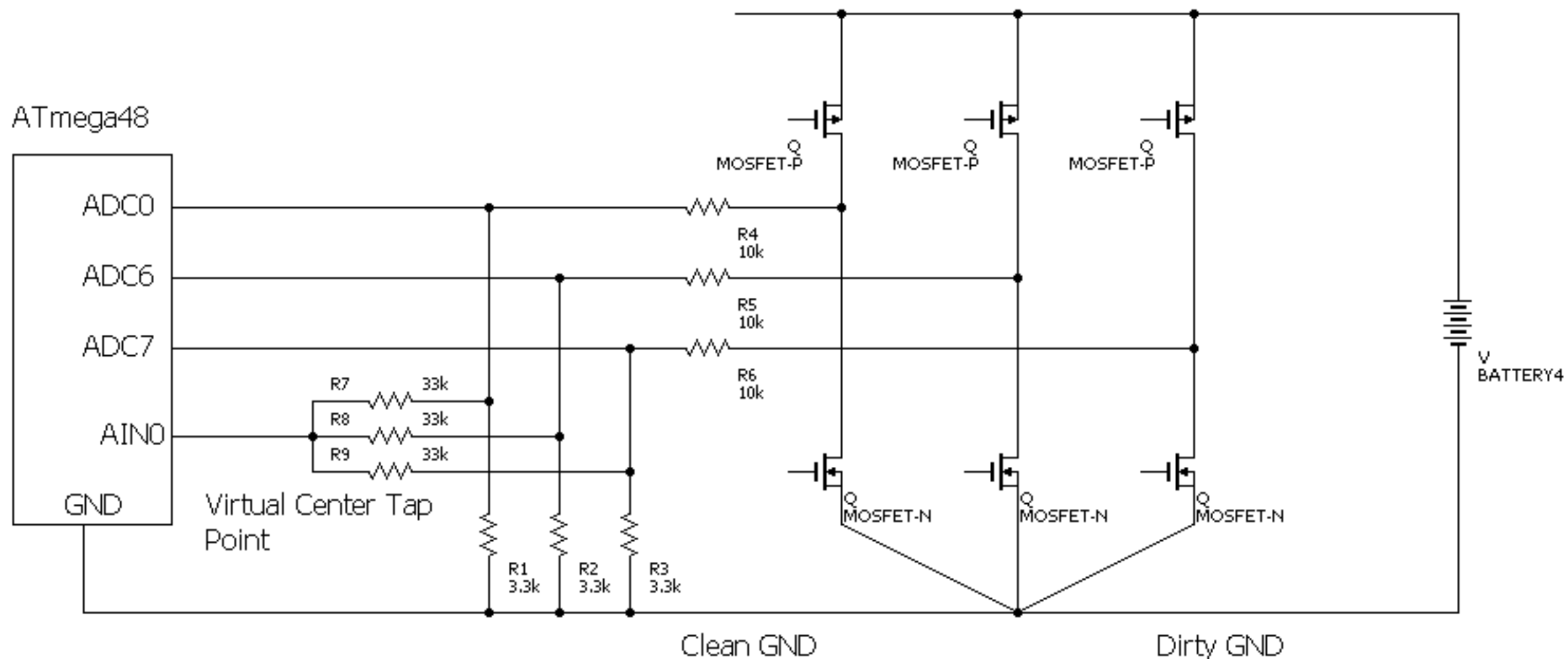
MOSFET-N

MOSFET-N

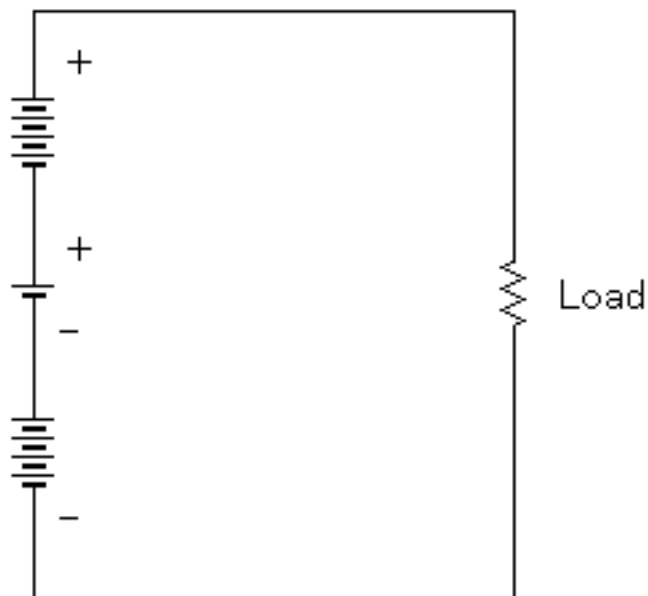
Clean GND

Dirty GND

V
BATTERY4

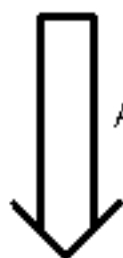


Minimum capacity battery

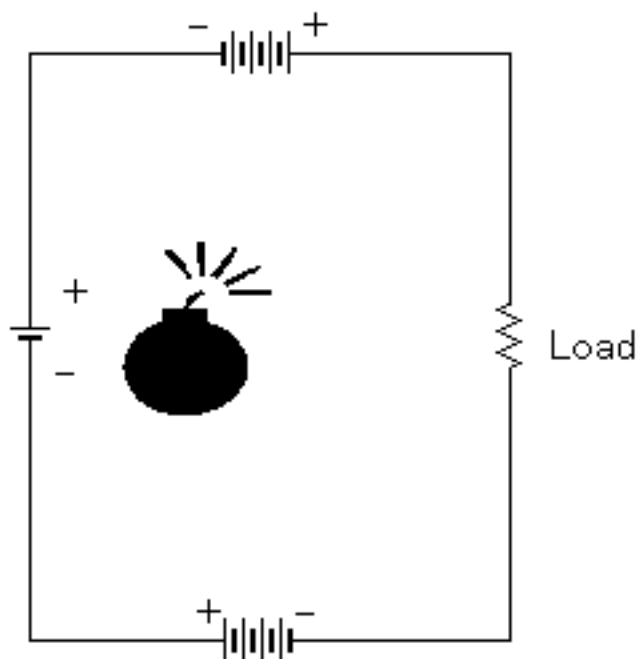


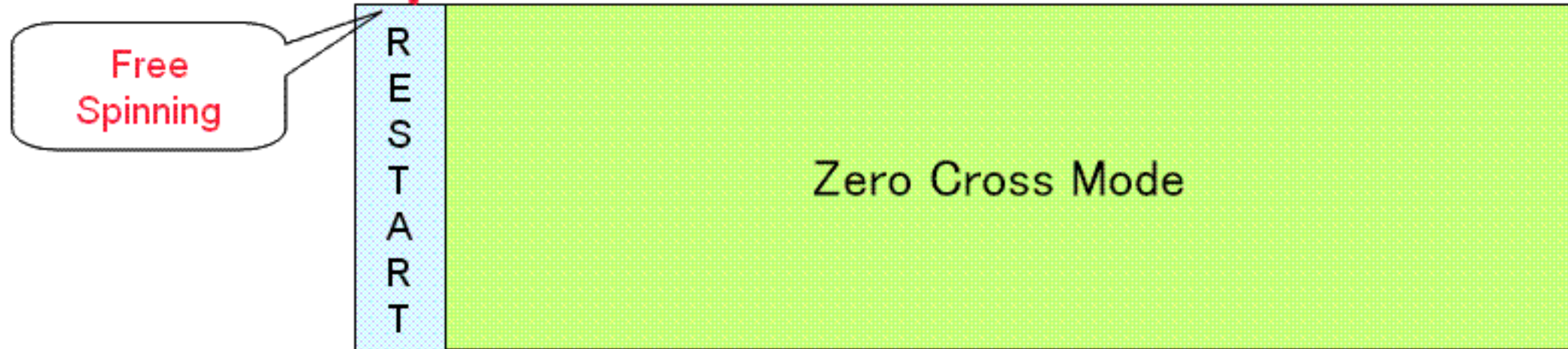
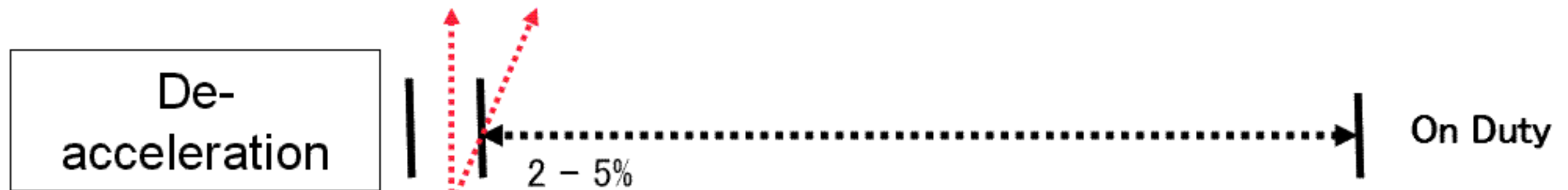
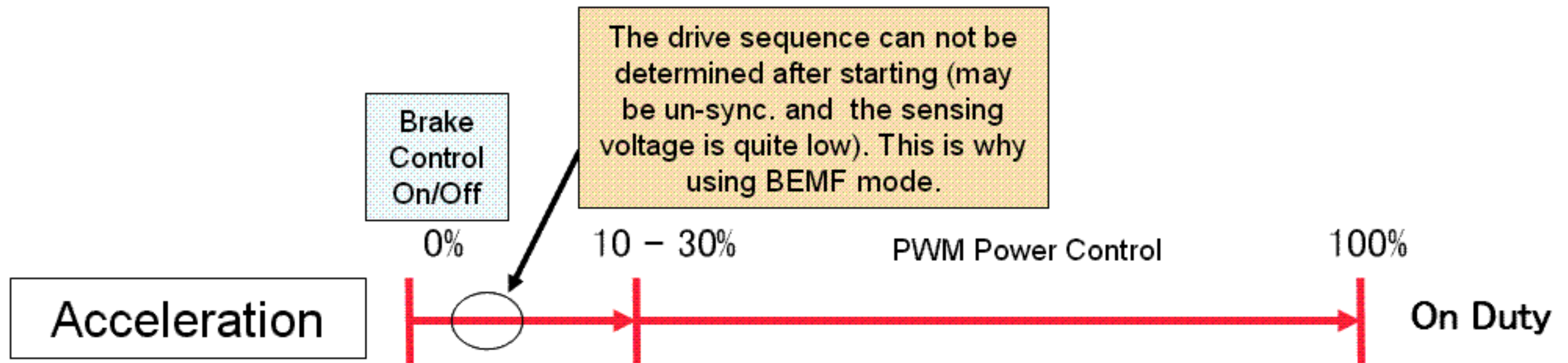
Discharging

All Same circuit

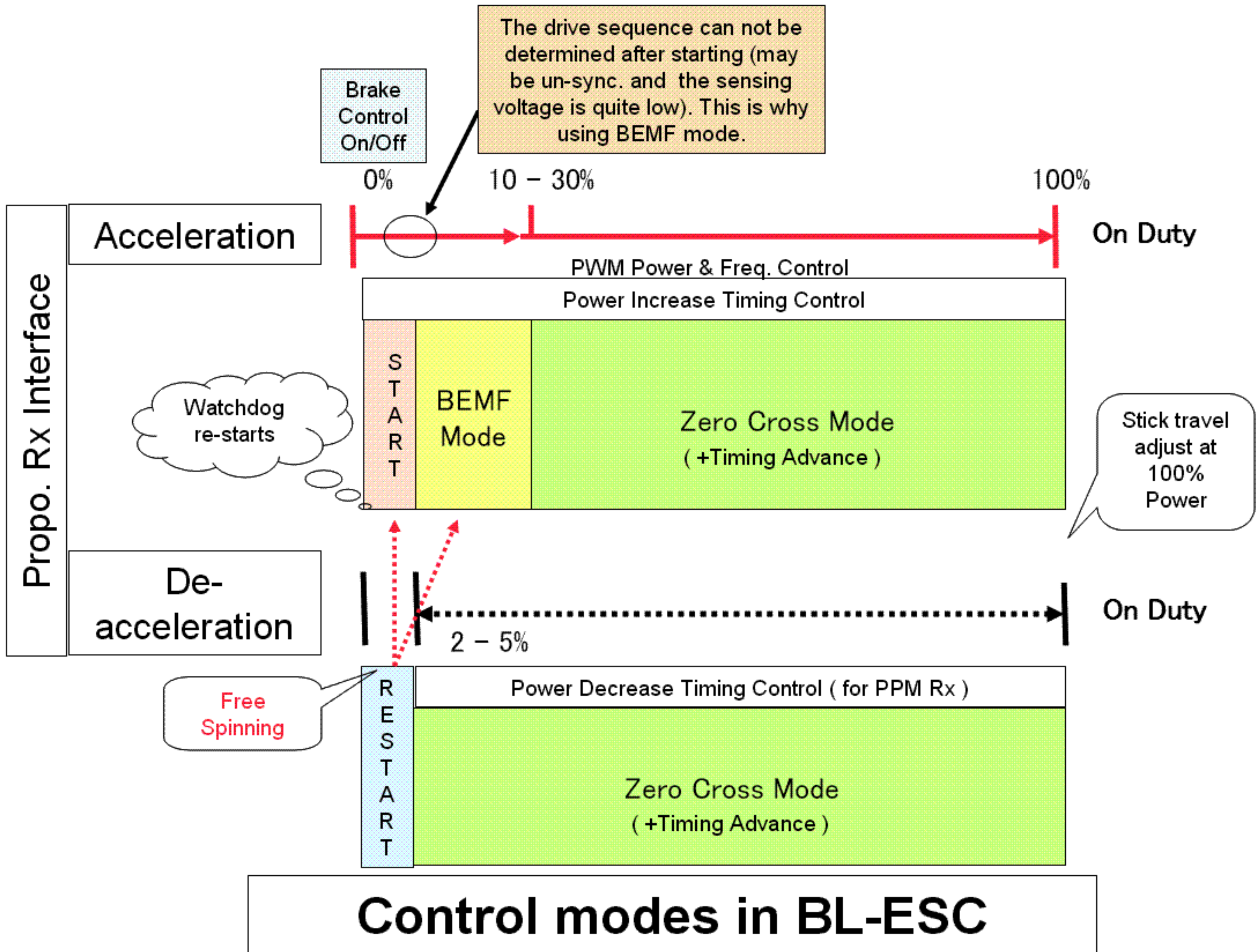


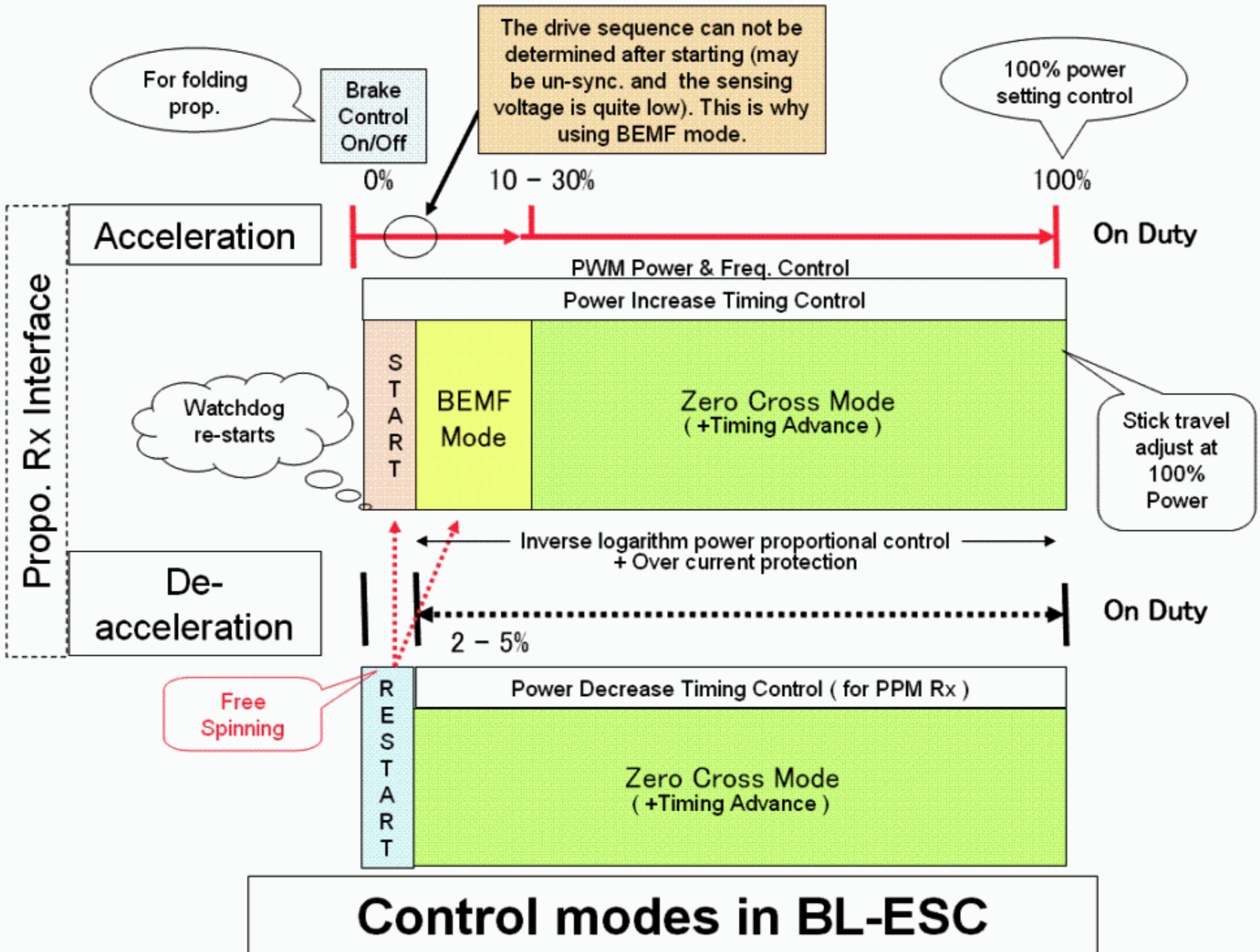
Finally, this battery is reverse charged!

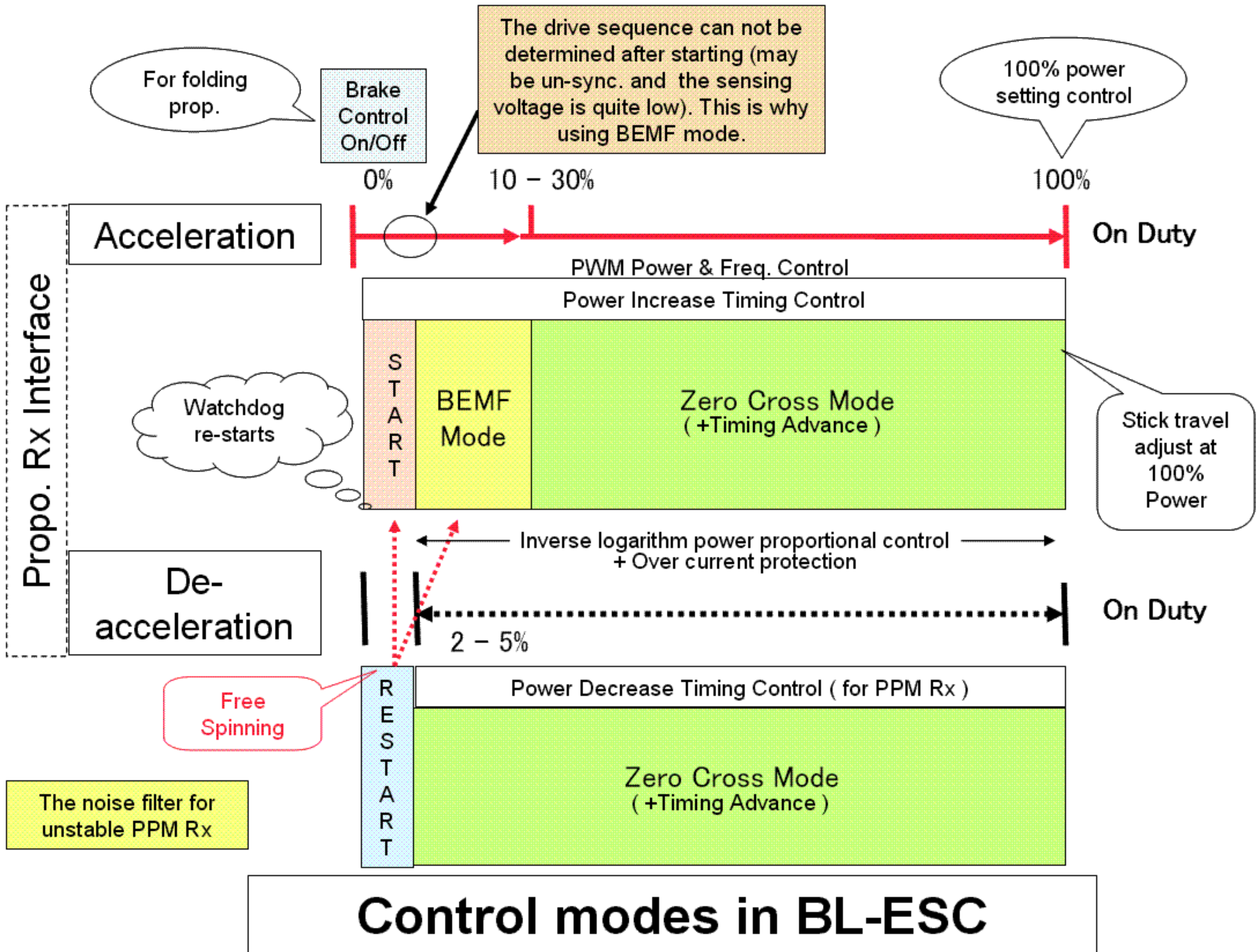


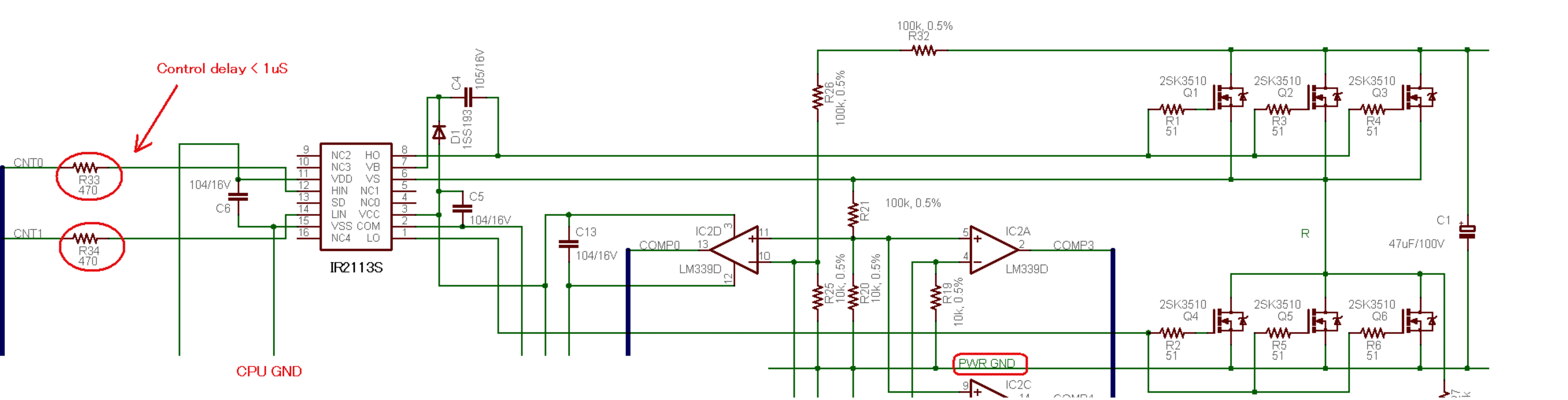


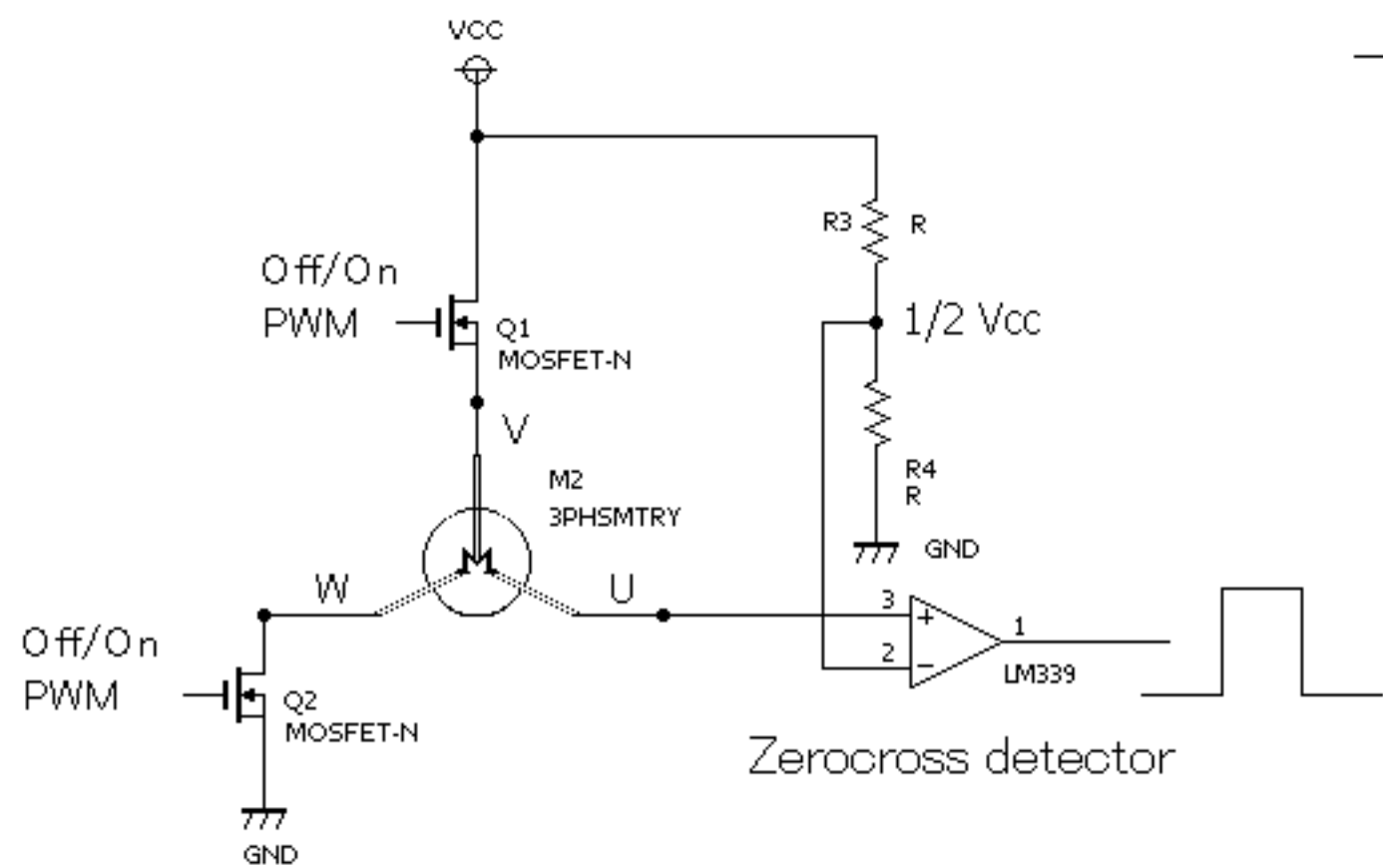
Control modes in BL-ESC



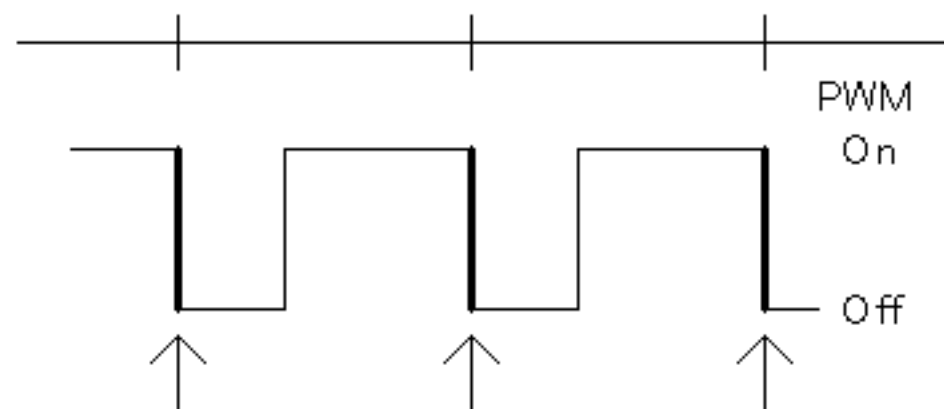








サンプリングタイミング



The Zerocross detection timing is just before PWM off as PWM on rear edge. Also, "Full On" 100% power PWM rear edge timing. This timing does not cause any transient noise problem. And C8051Fxxx's comparator can be hysteresis level and response timing by software.

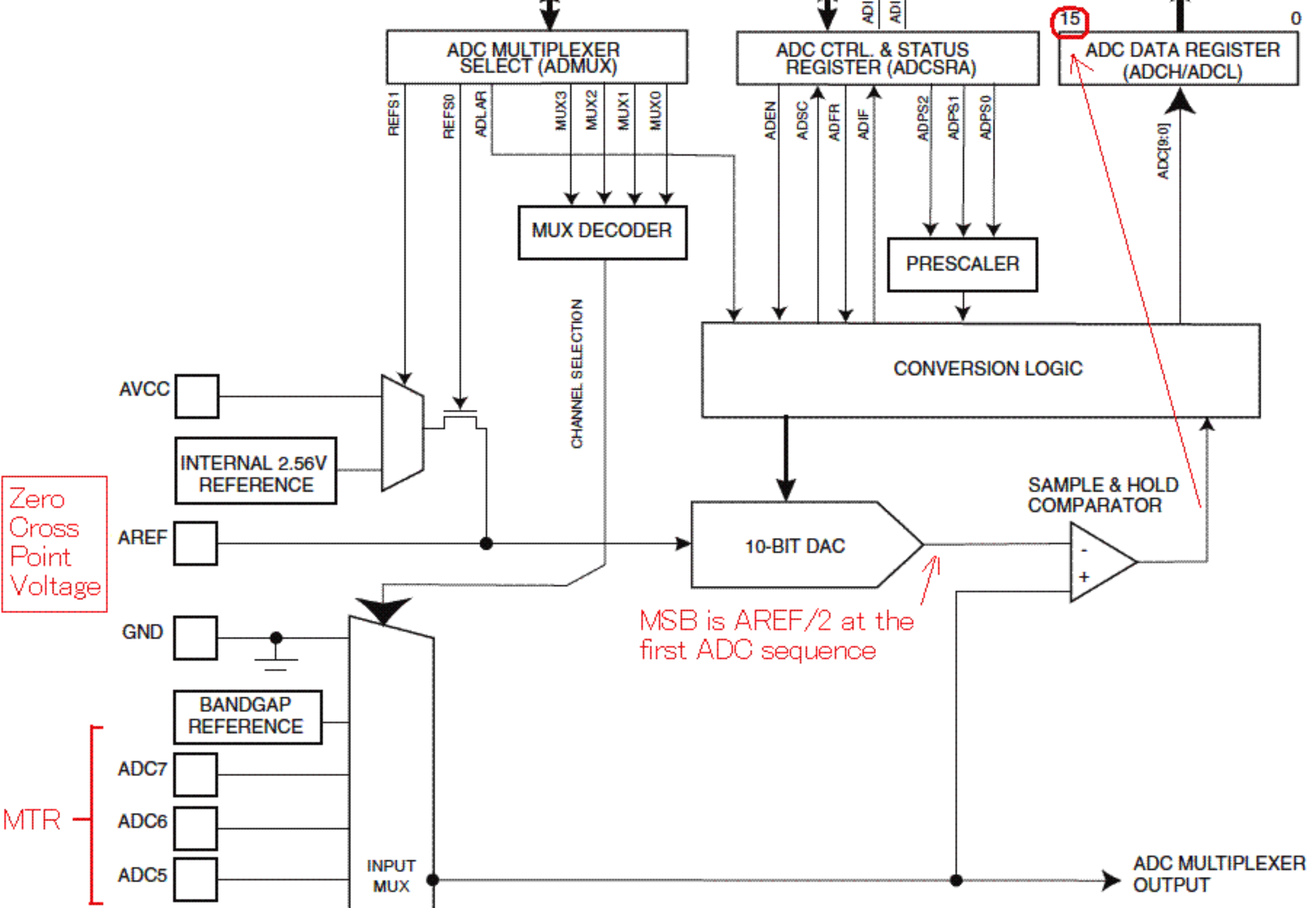
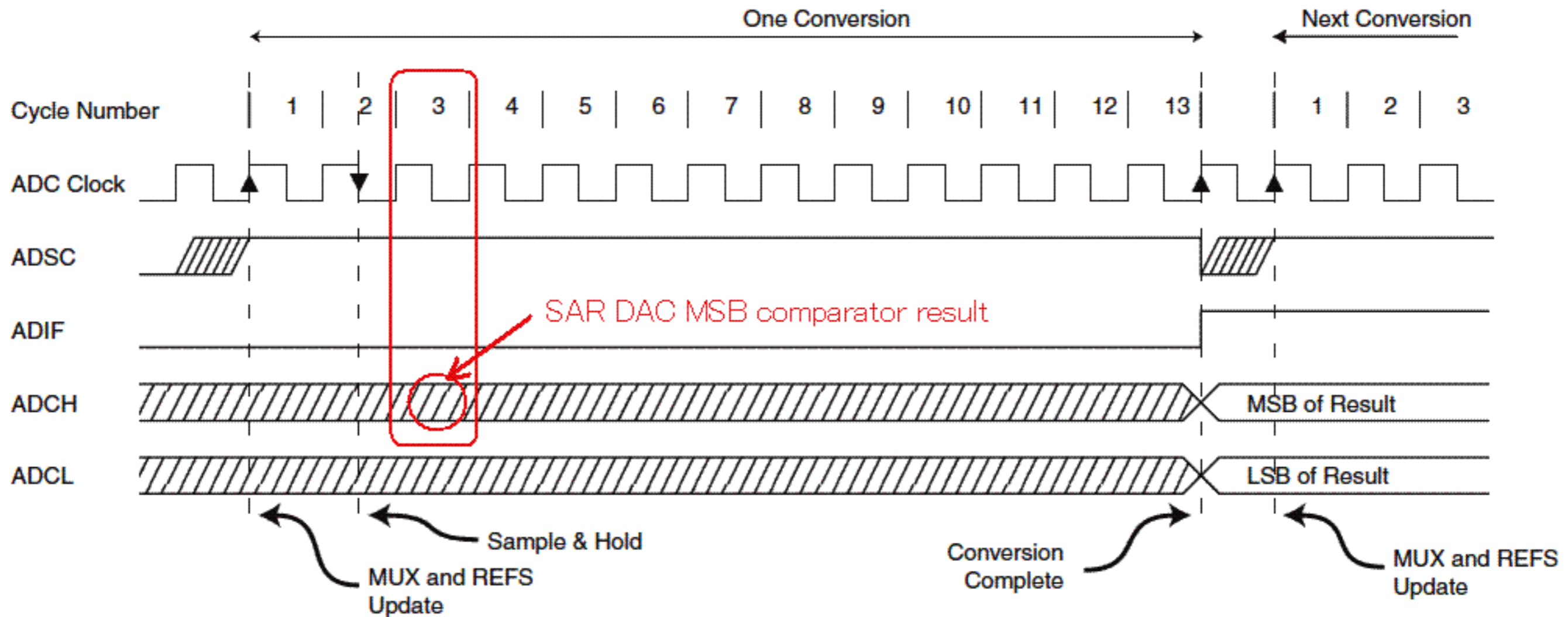
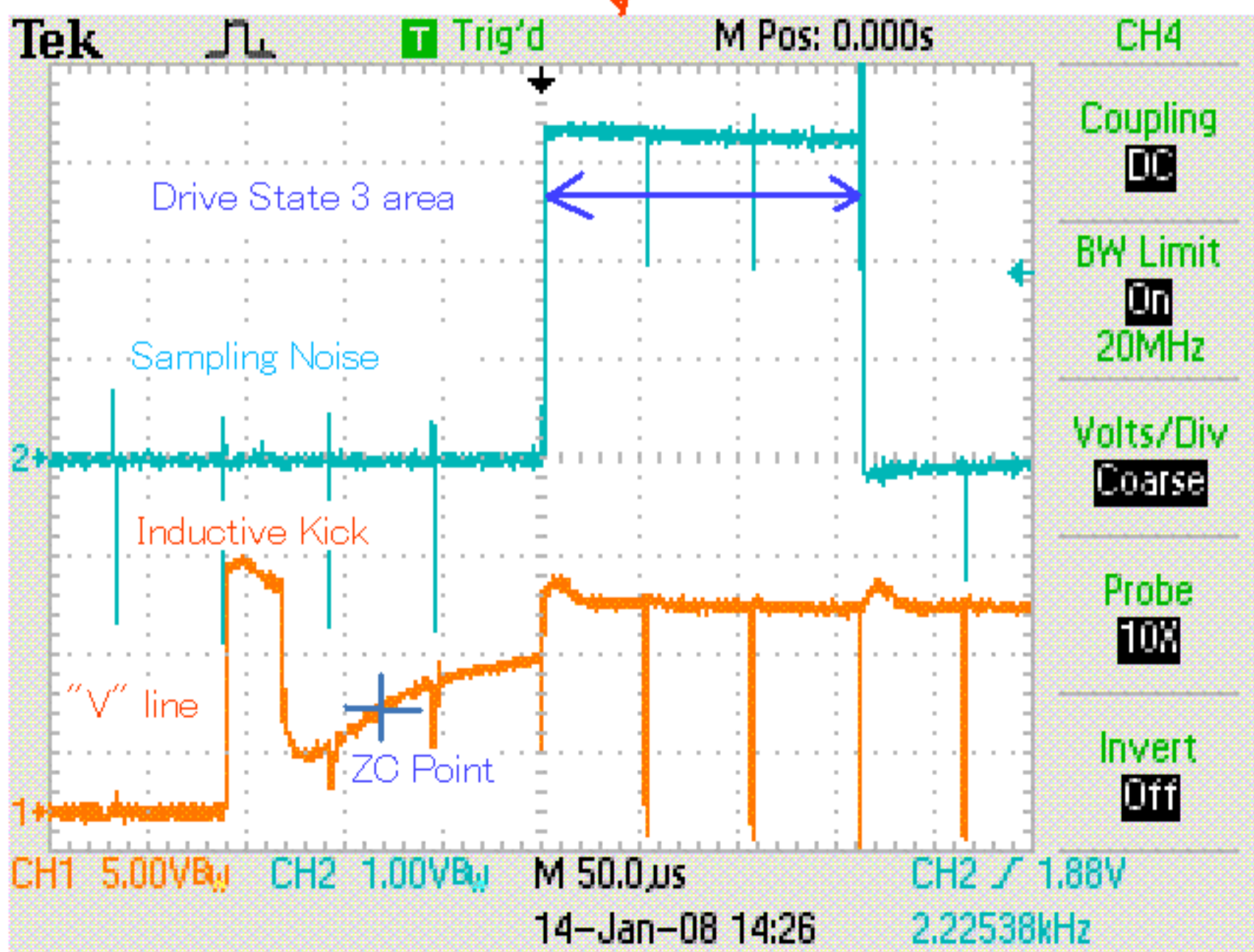
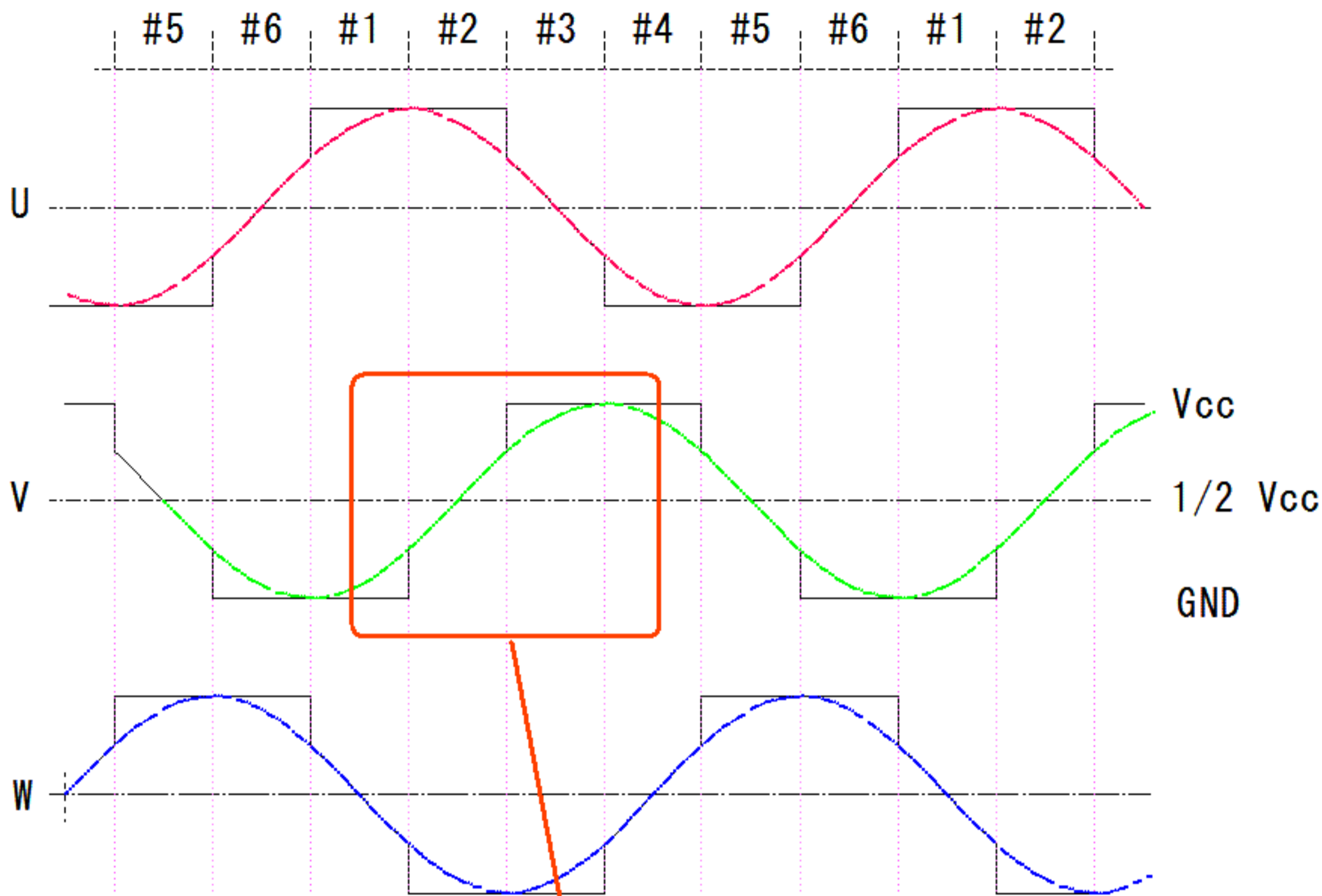


Figure 93. ADC Timing Diagram, Single Conversion

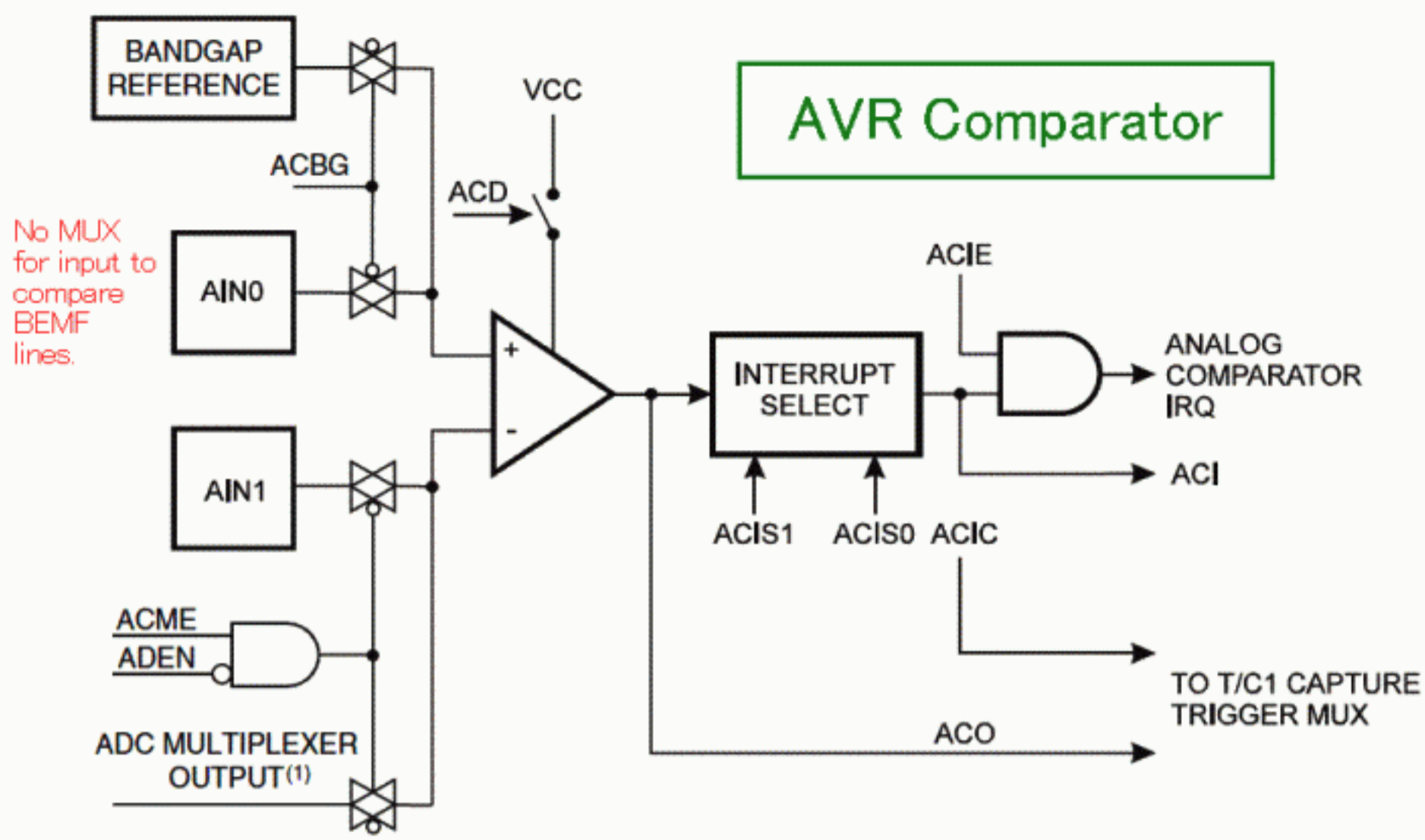


Drive State

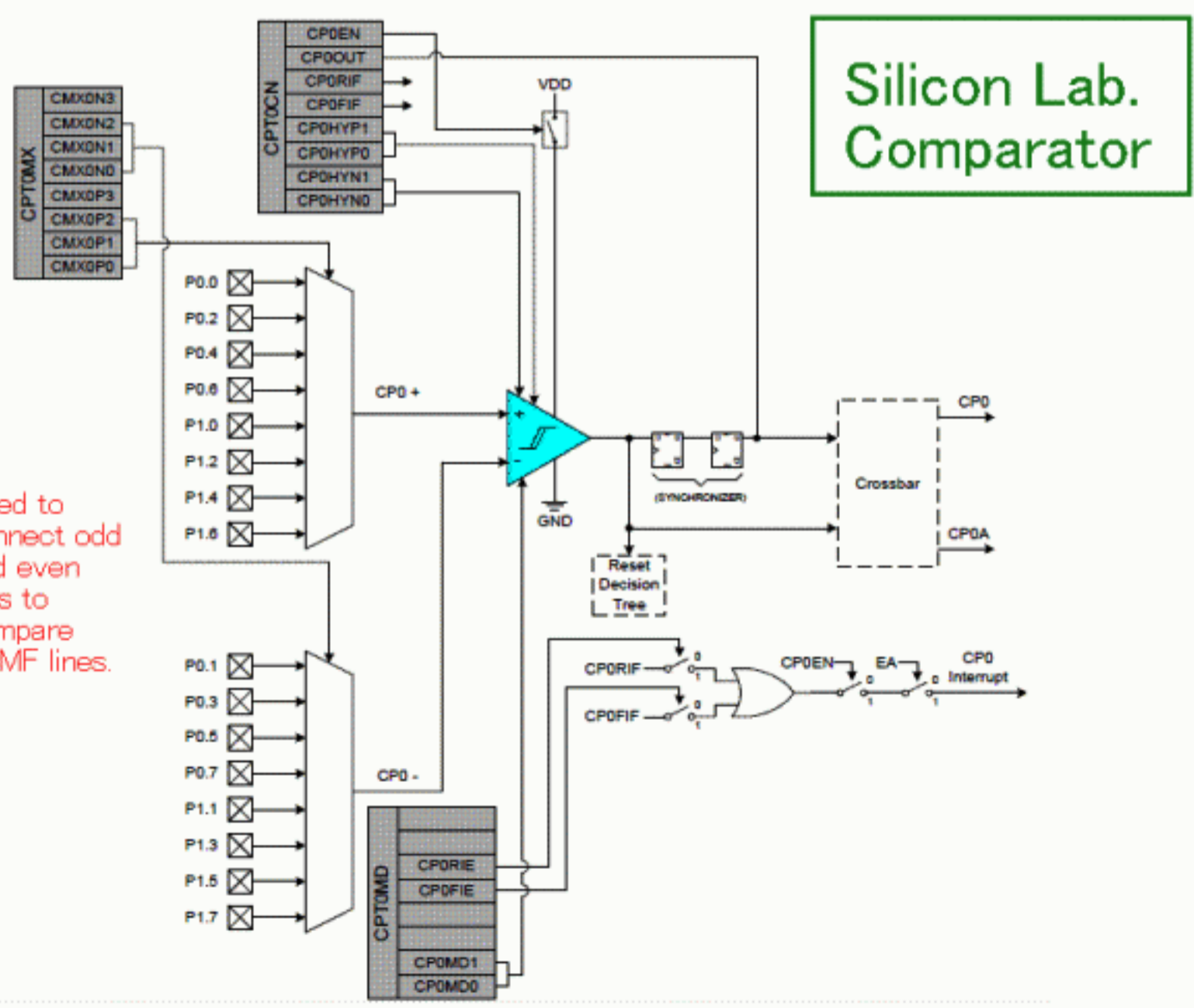


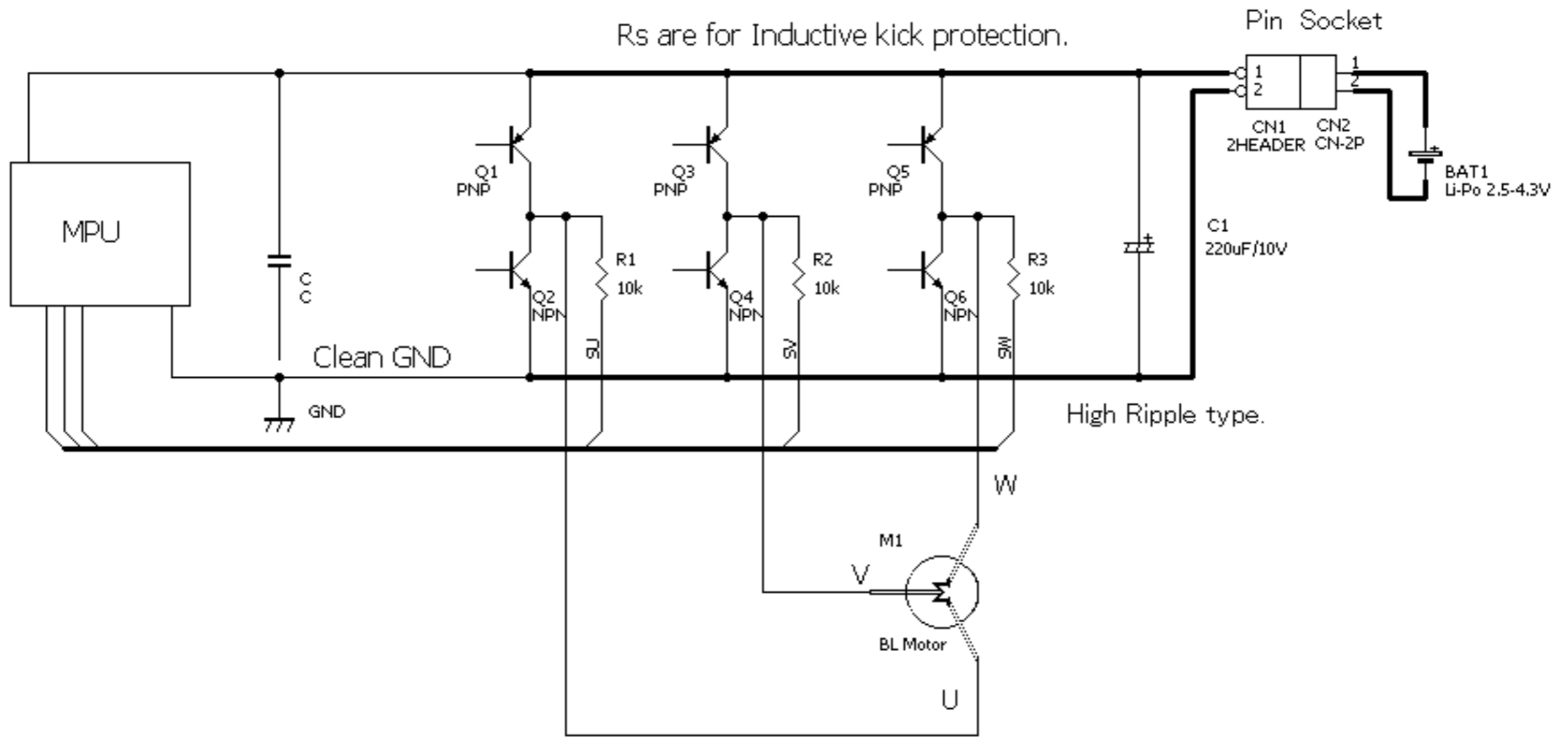
10,000 rpm 9 stater, 12 magnets motor.

Figure 89. Analog Comparator Block Diagram⁽²⁾



Need to connect odd and even pins to compare BEMF lines.





A

B

C

D

E

1

1

2

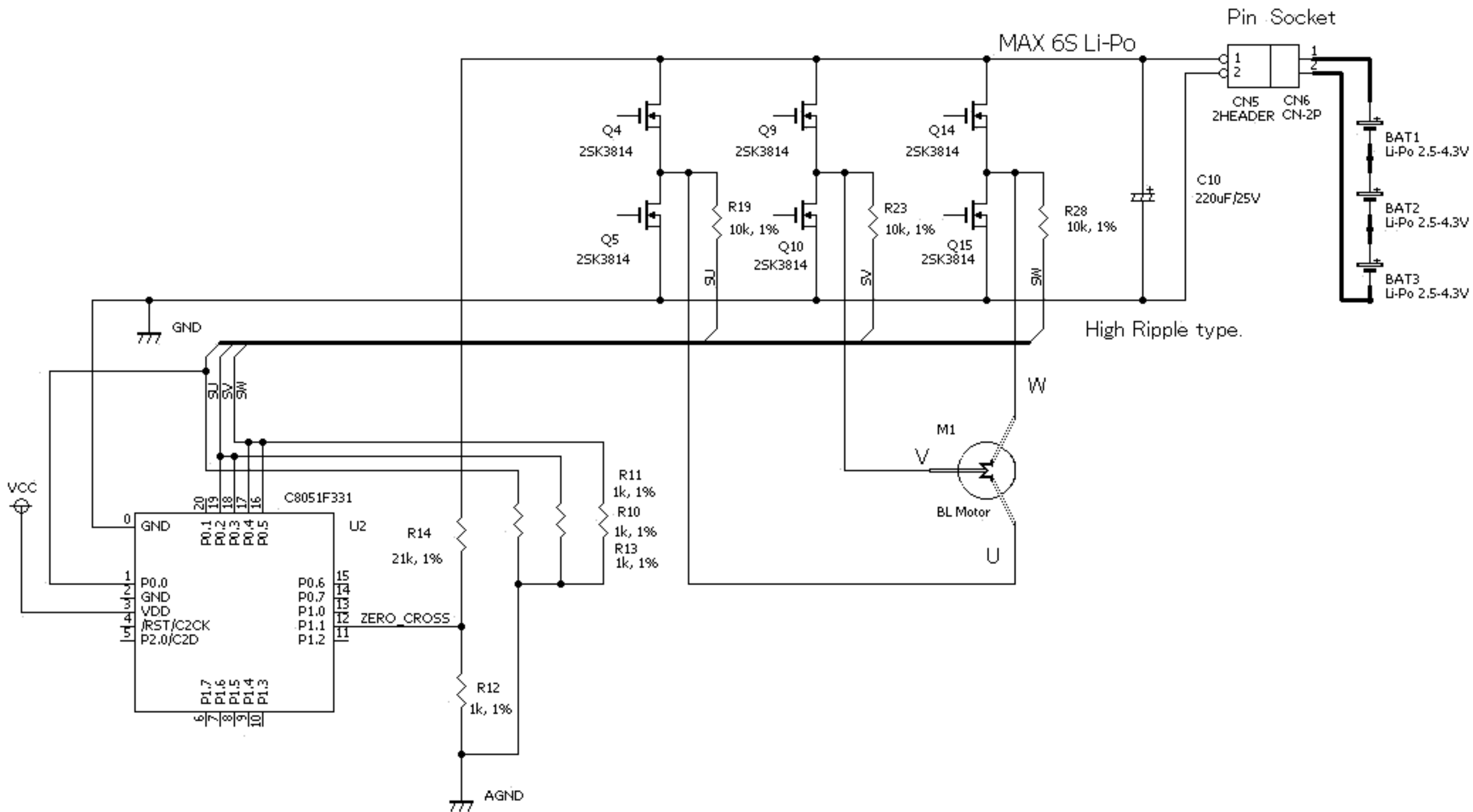
2

3

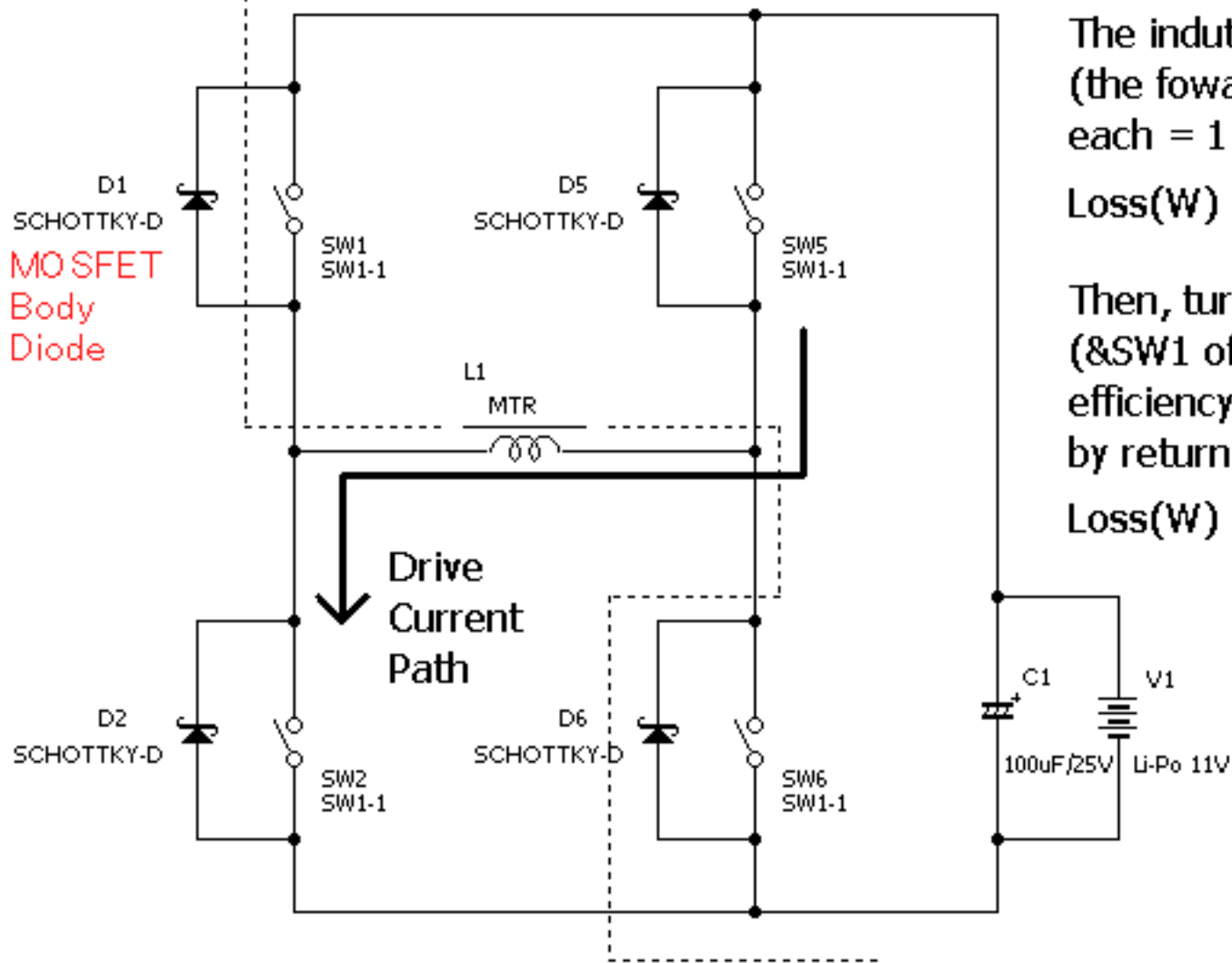
3

4

4



Inductive Kick Path (Charge up C1&V1)

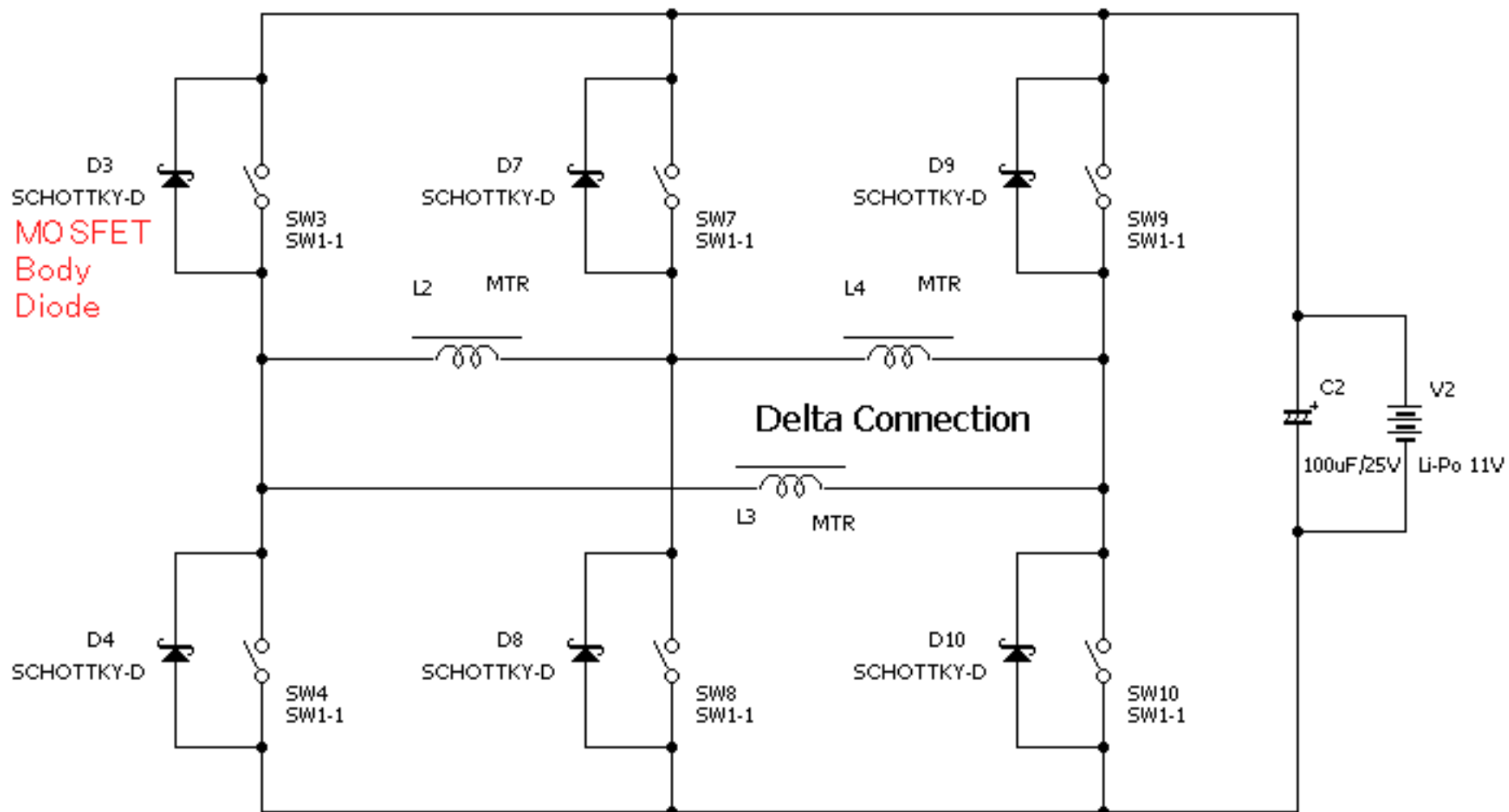


The inductive kick heats up D1&D6
(the forward voltage drop loss is about 0.6V
each = 1.2V) just after SW2&SW5 PWM turn-off.

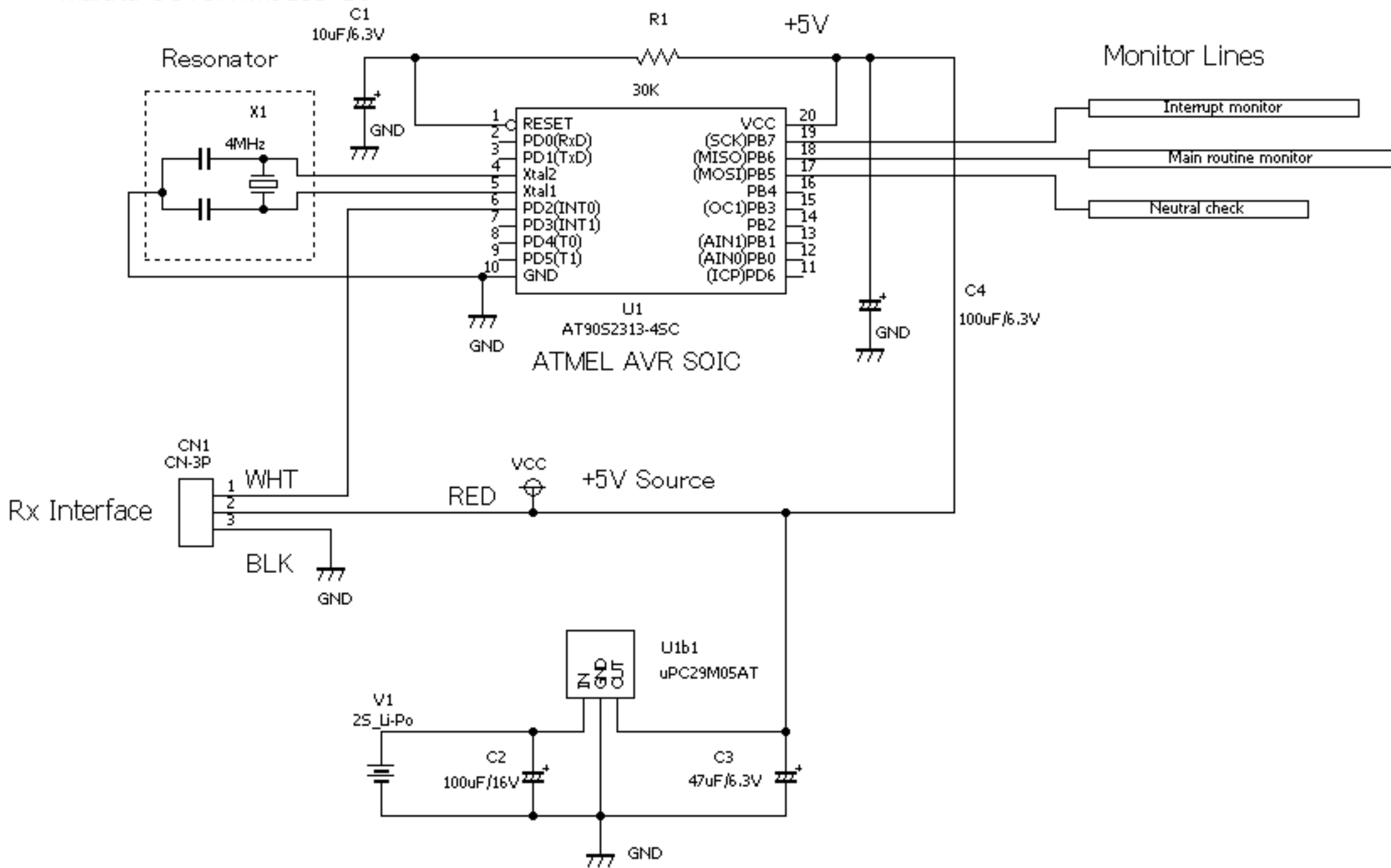
$$\text{Loss(W)} = 1.2\text{V} \times \text{Kick current}$$

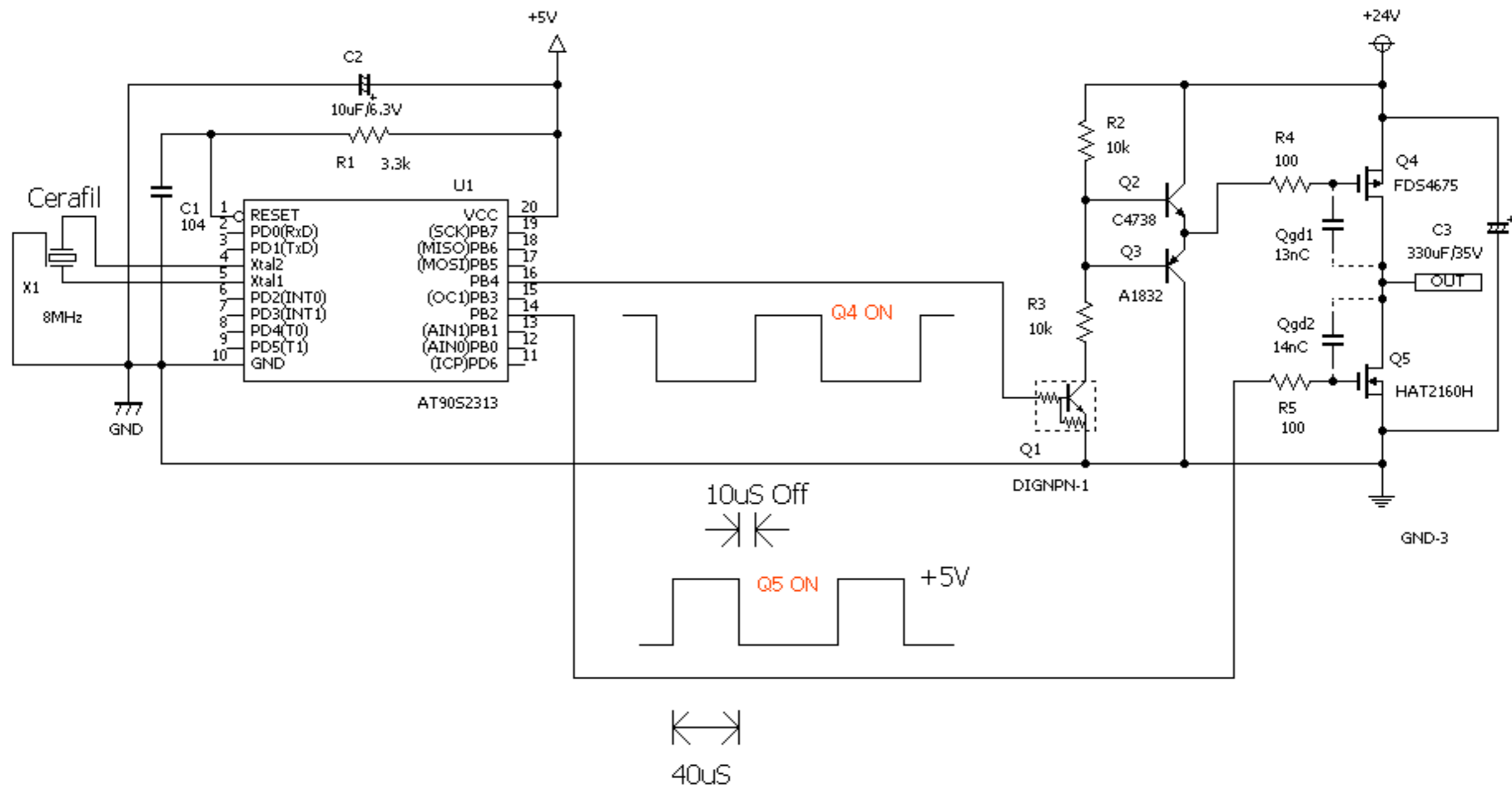
Then, turn-on SW1 on(& SW6 off) or SW6 on
(&SW1 off) at PWM-off to get more power
efficiency(only one diode voltage drop = 0.6V)
by returning the inductive kick energy to C1&V1.

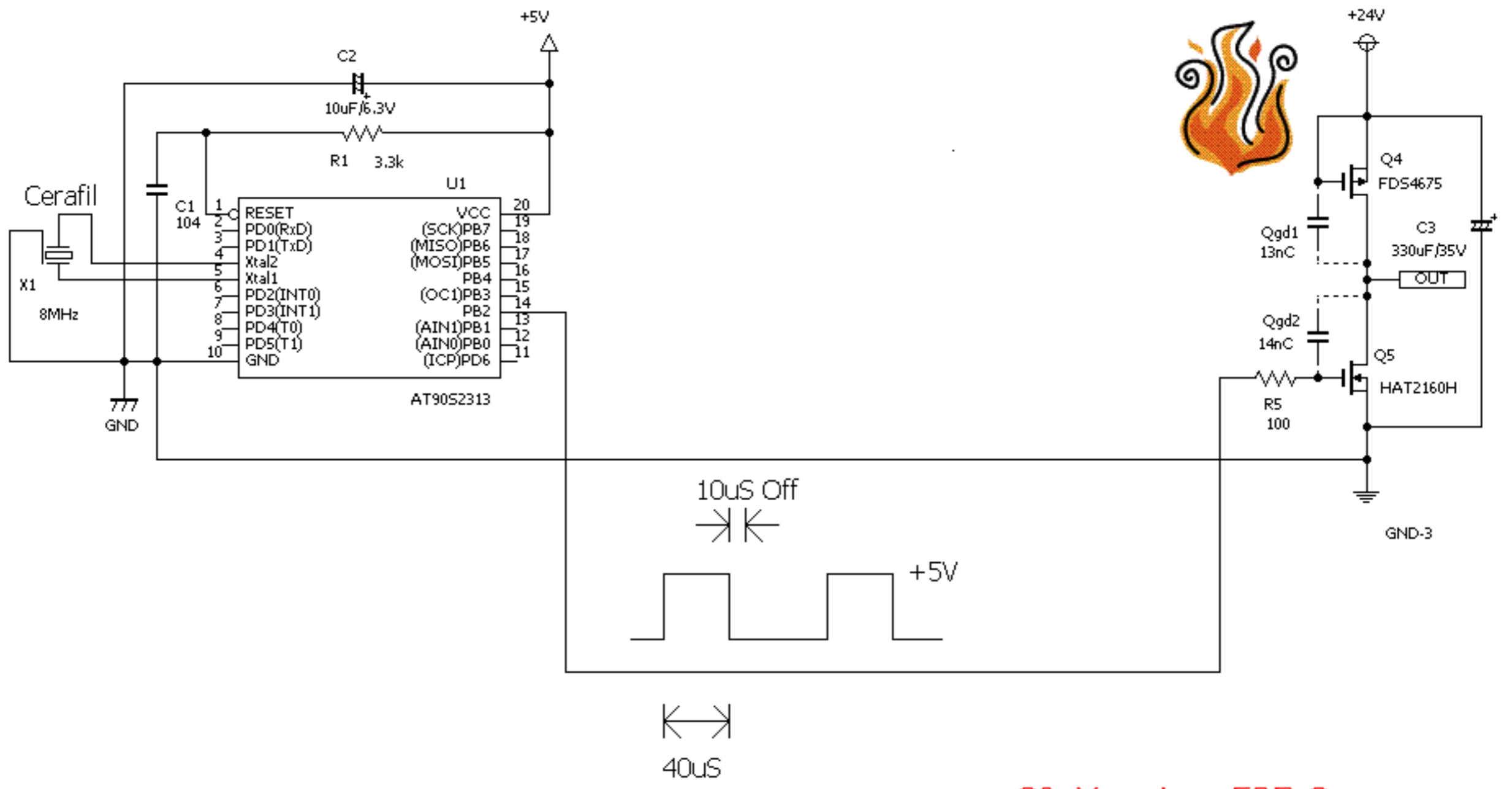
$$\text{Loss(W)} = 0.6\text{V} \times \text{Kick current}$$



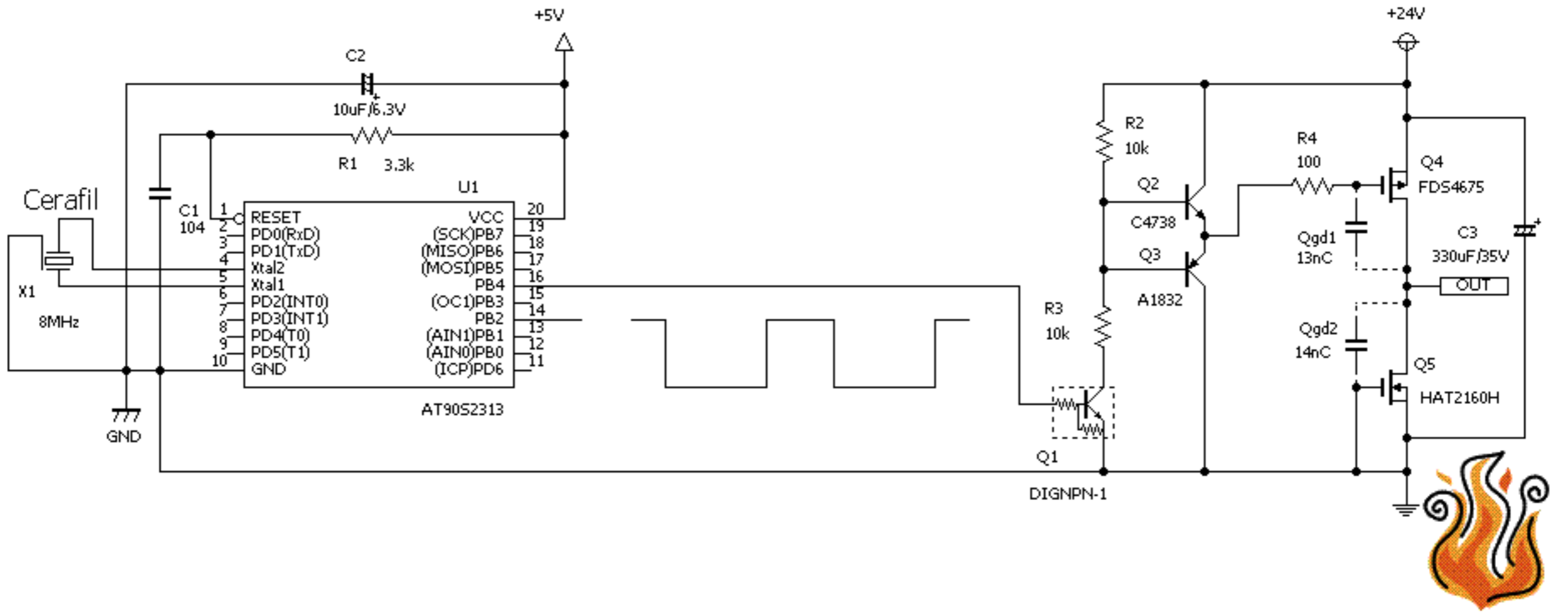
Murata CSTCR4M0G53-B0



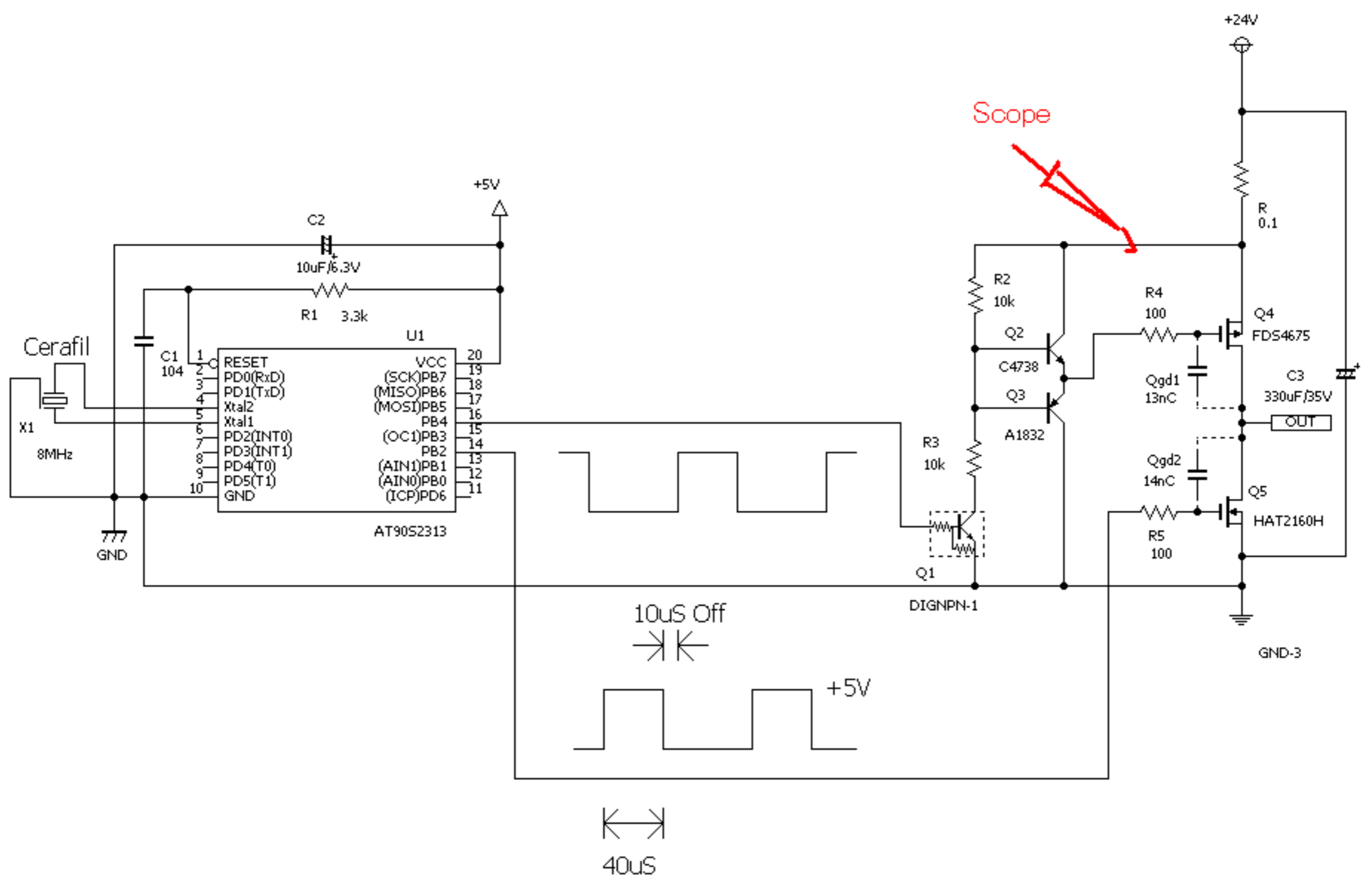


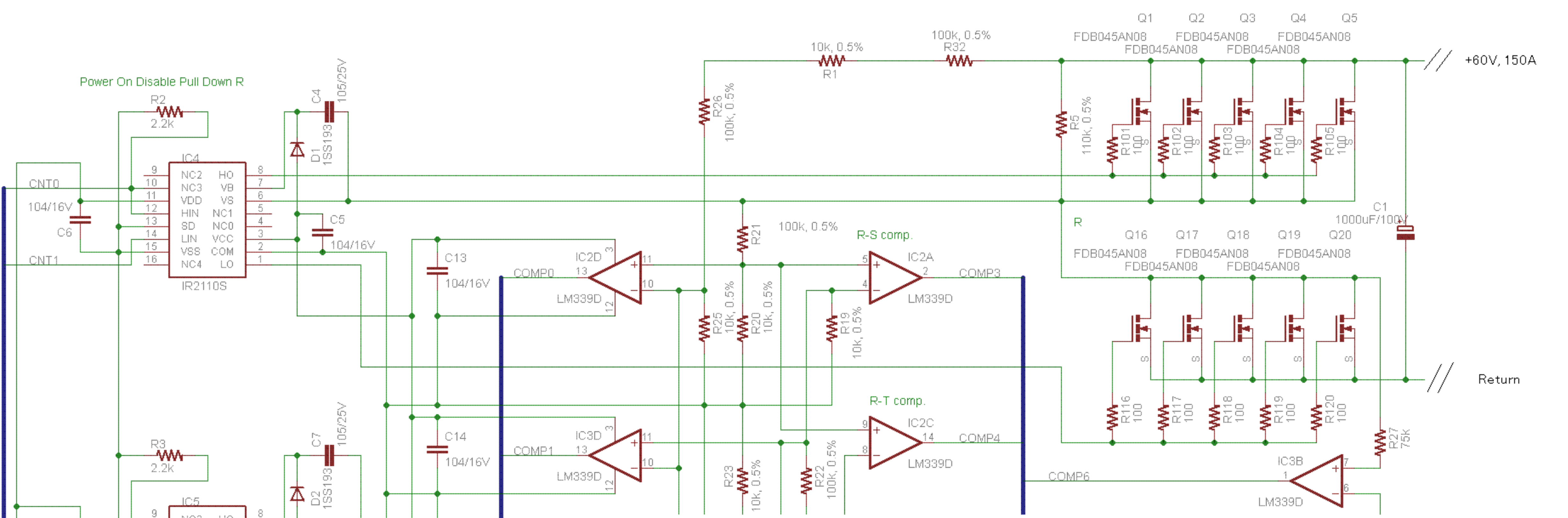


C3: Very Low ESR Cap.



Scope





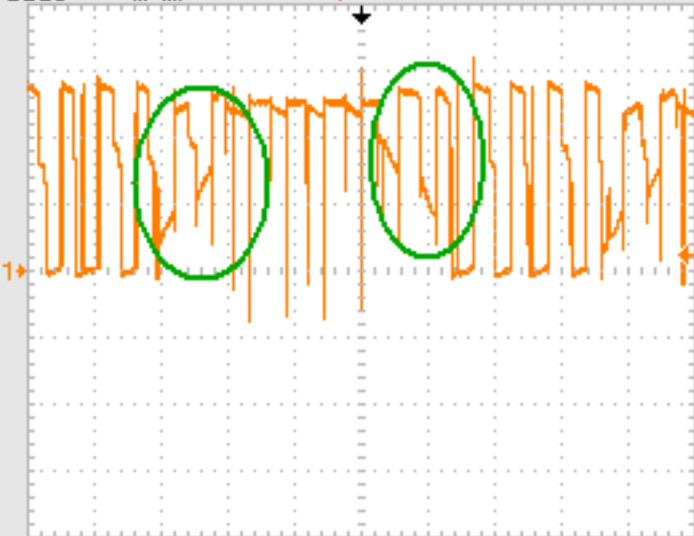
Tek



● Stop

M Pos: 0.000s

CH1



Coupling

DC

B/W Limit

Off

100MHz

Volts/Div

Coarse

Probe

10X

Invert

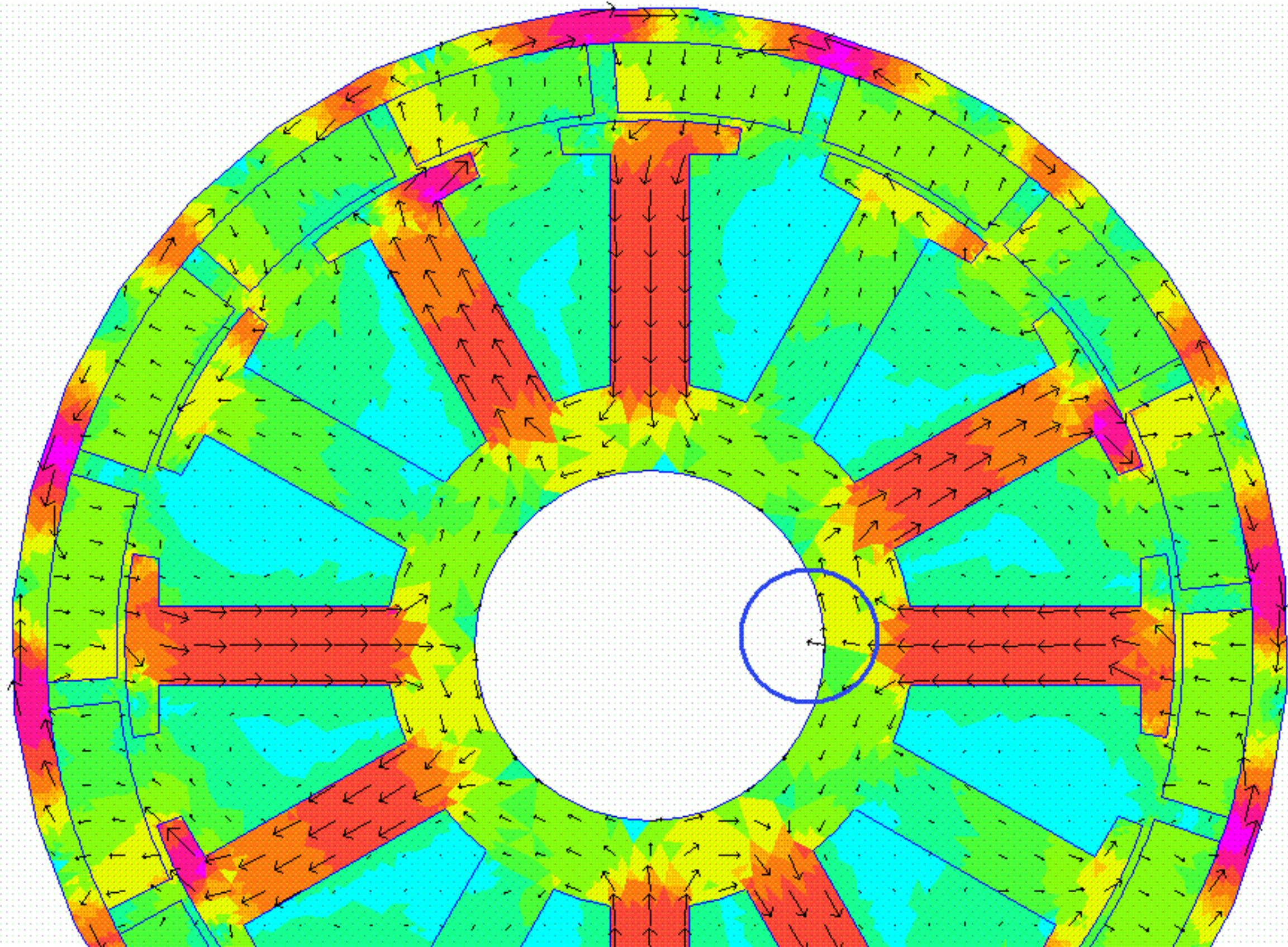
Off

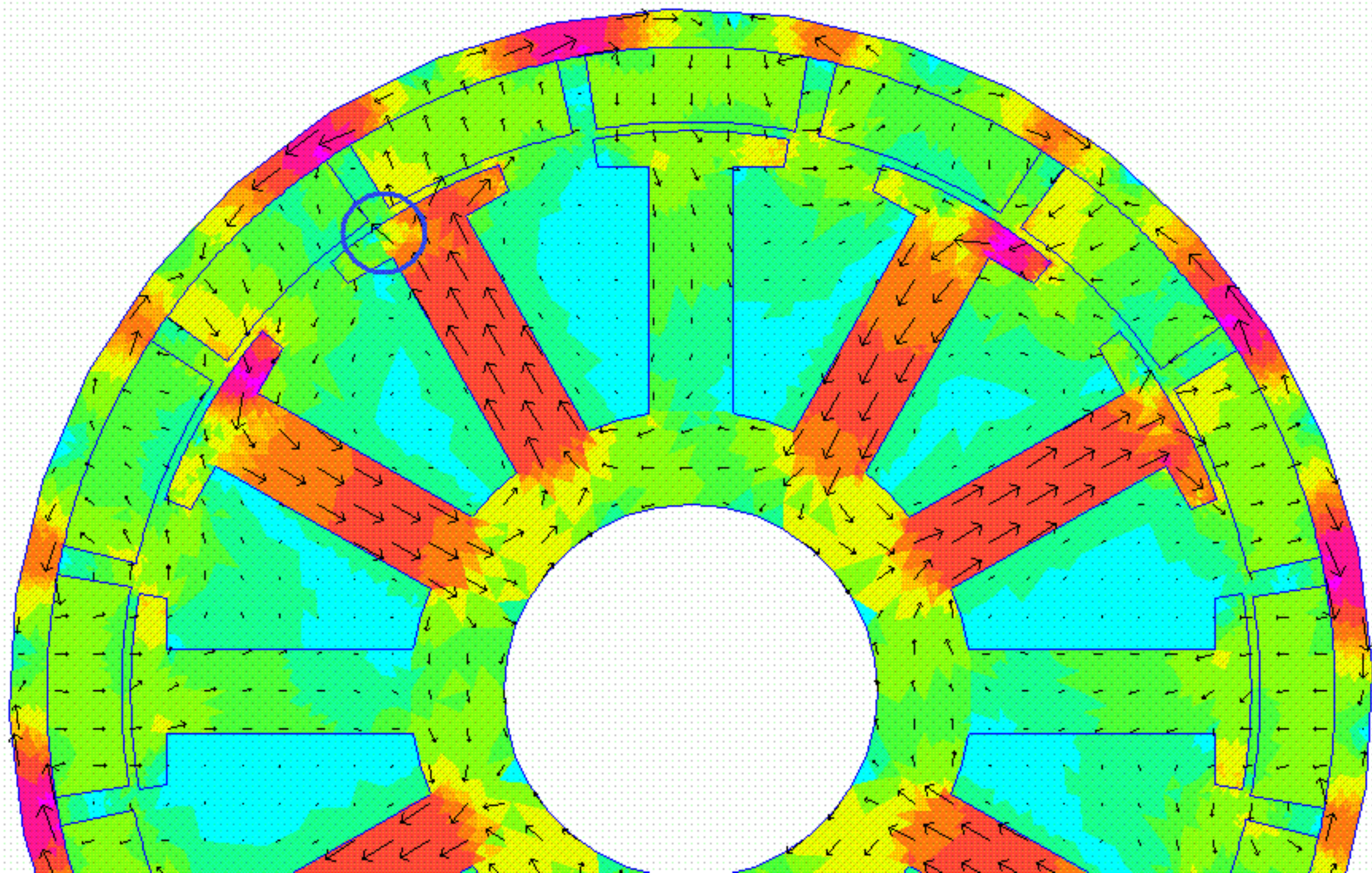
CH1 5.00V

M 250 μ sCH1 \swarrow 1.20V

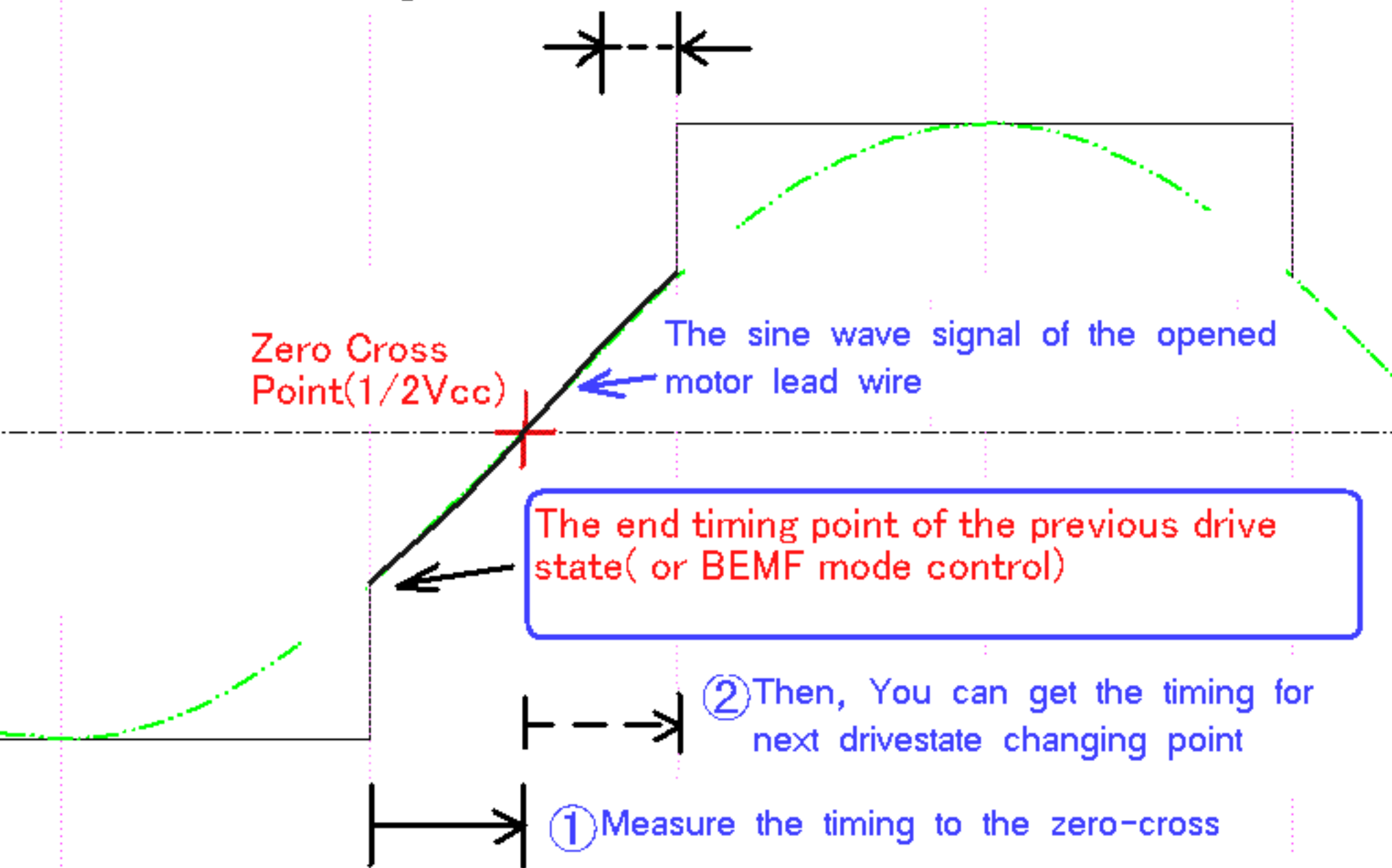
8-Oct-08 22:10

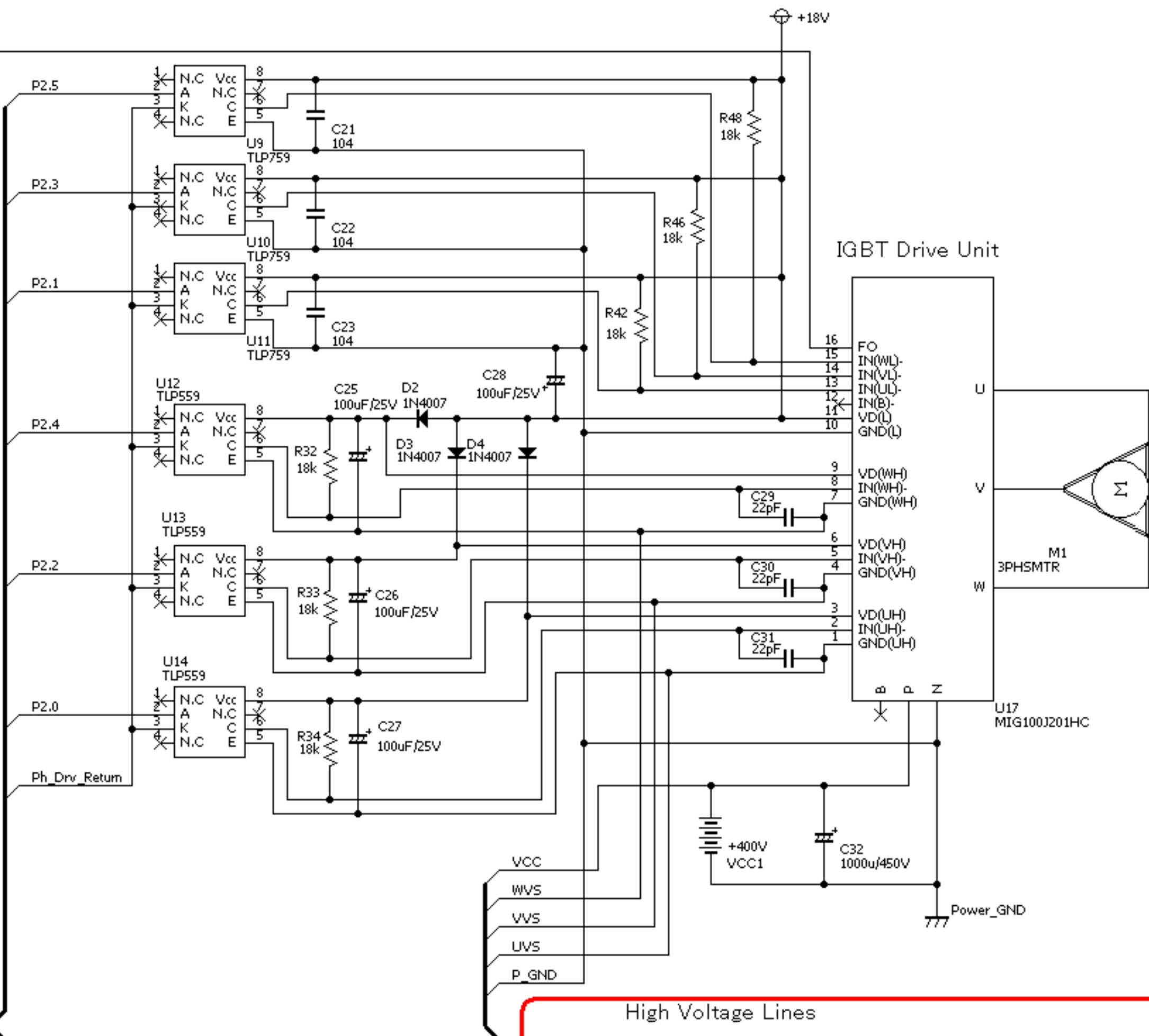
<10Hz





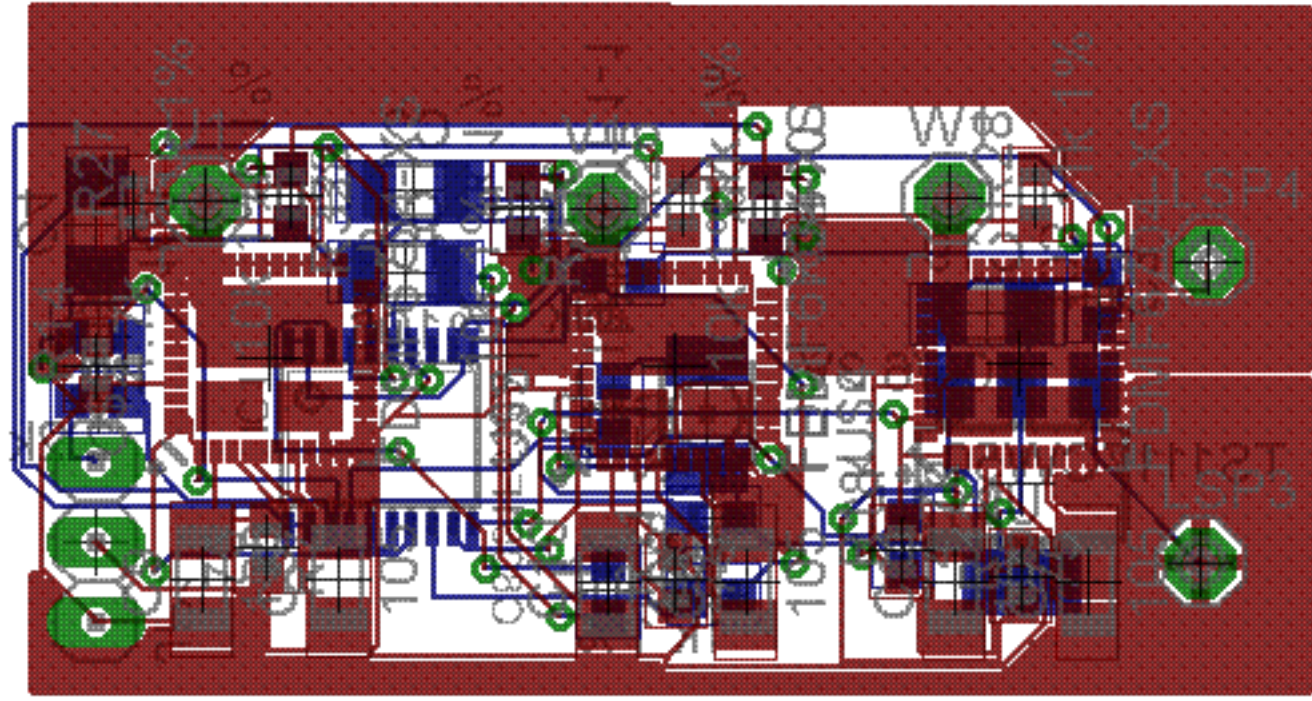
Reduce the timing by software for the timing advance





High Voltage Lines

Caution! the PCB isolation for BEMF sensing



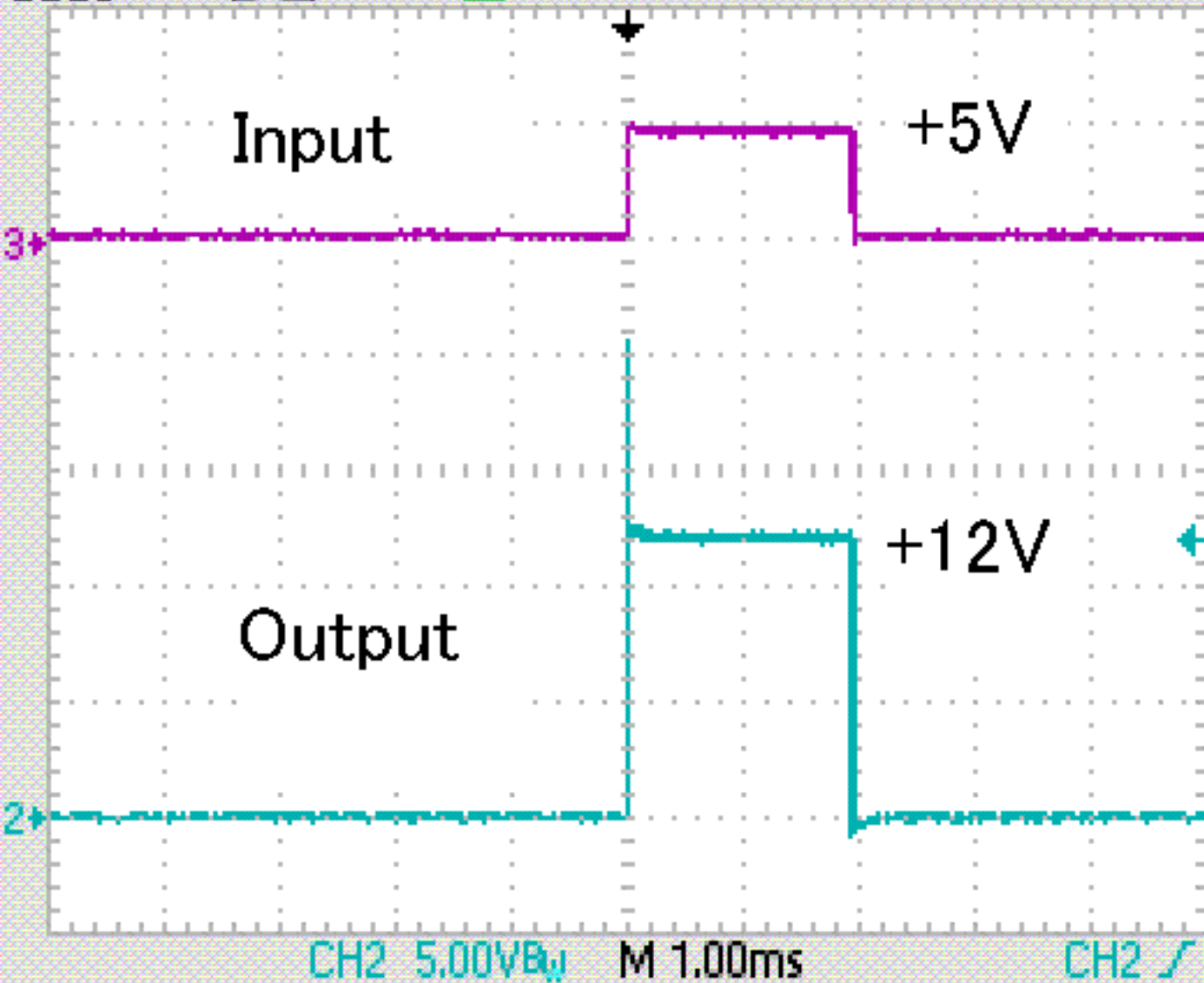
Tek



Trig'd

M Pos: 0.000s

CH1



Coupling

DC

BW Limit

Off

100MHz

Volts/Div

Coarse

Probe

10X

Invert

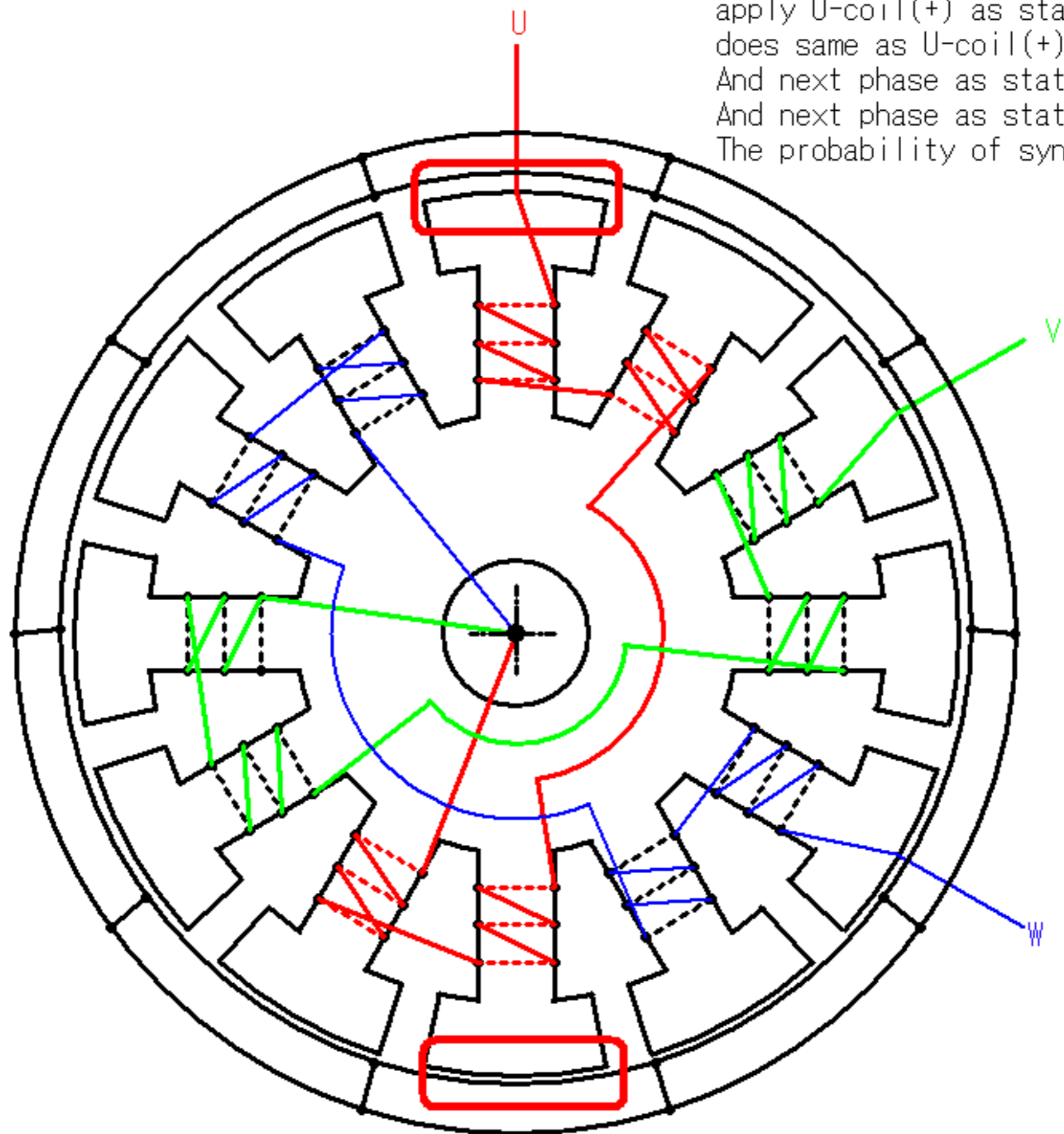
Off

CH2 5.00V/div M 1.00ms

CH2 12.0V

CH3 vertical position 1.96 divs (9.80V)

To suck-in the red part of magnet, ex. apply U-coil(+) as state1, and state2 does same as U-coil(+).
And next phase as state3,4 V-coil(+)
And next phase as state5,6 W-coil(+).
The probability of sync. is x2 better.

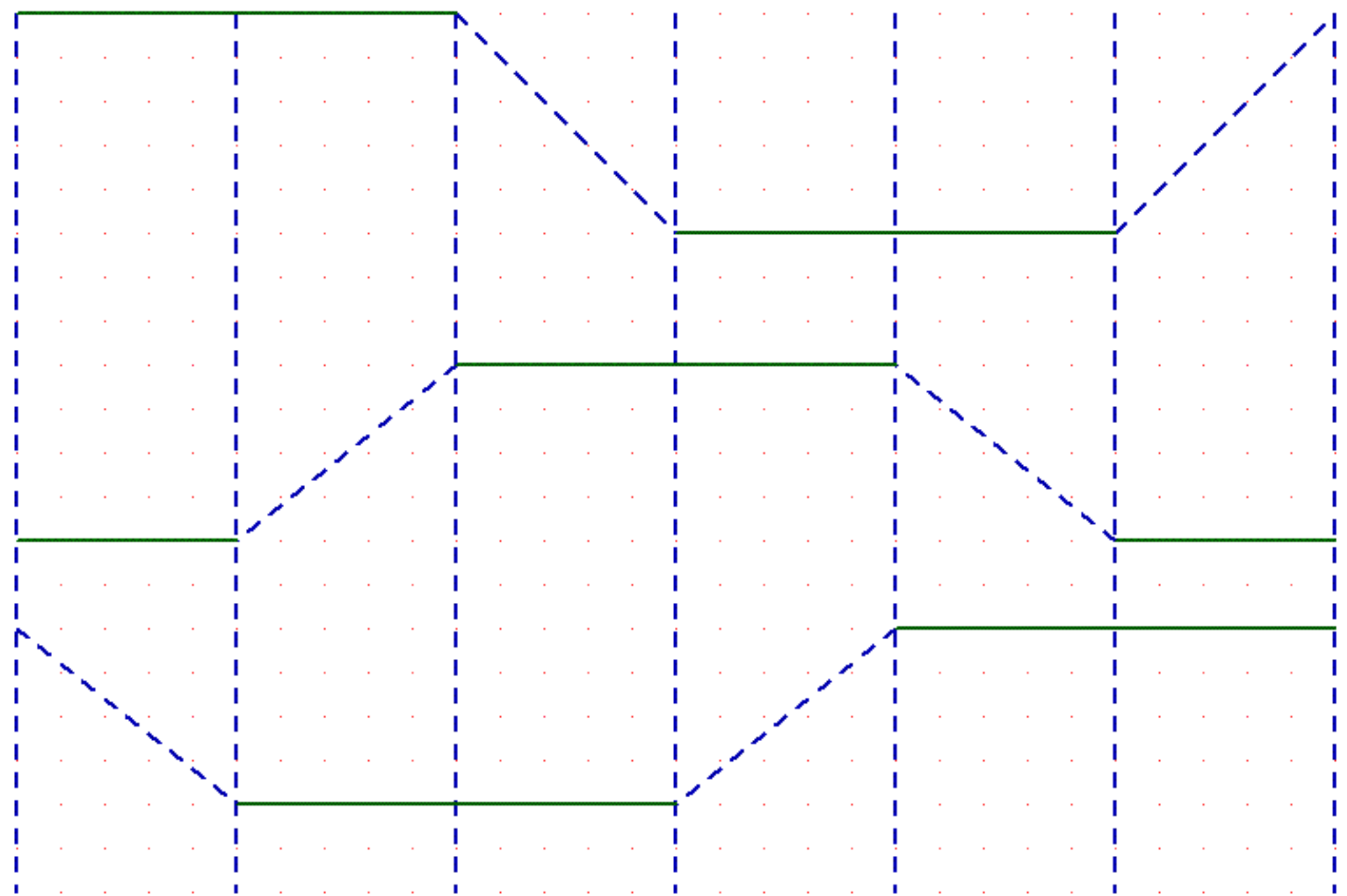


1 2 3 4 5 6

U

V

W

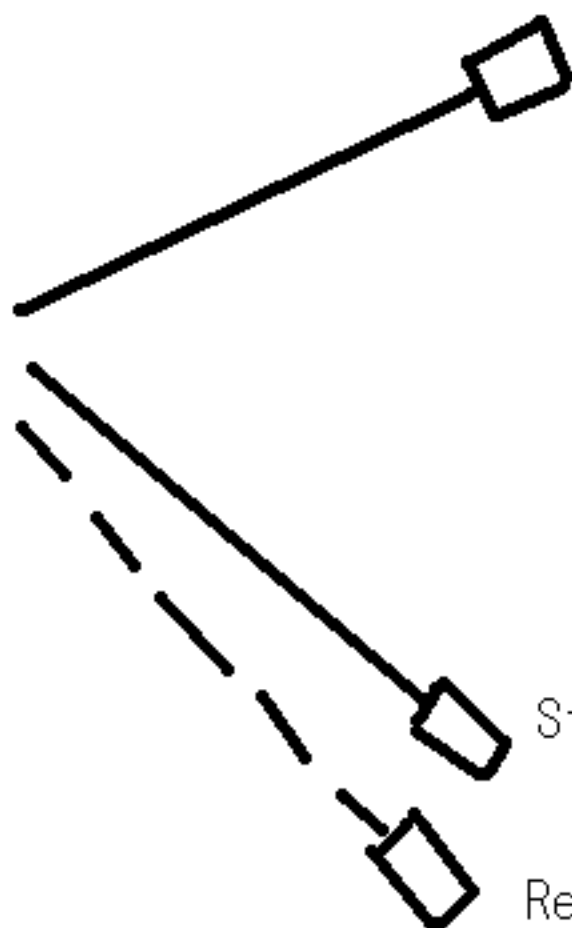


Stick Position

Full On

Stop

Reverse

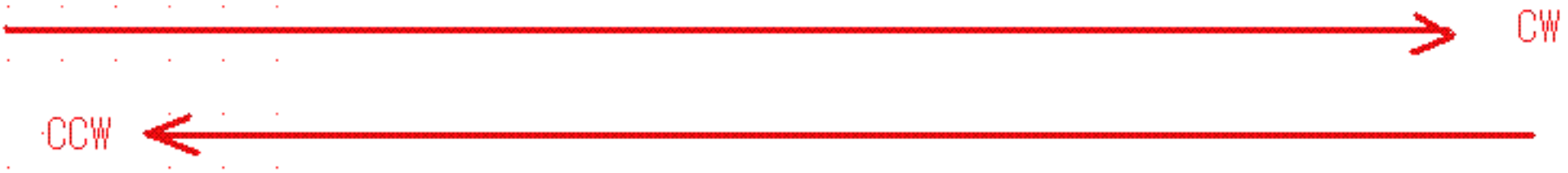
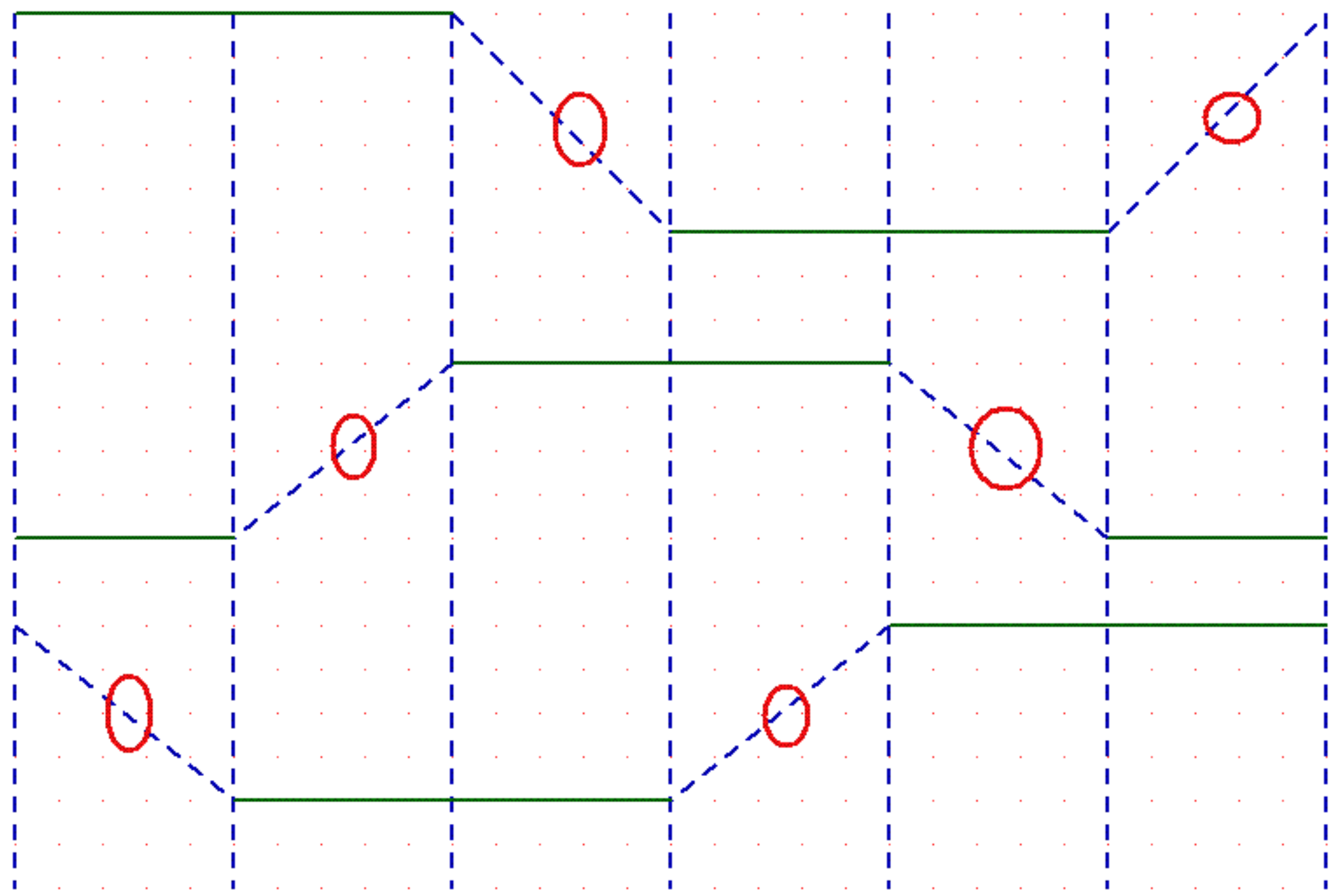


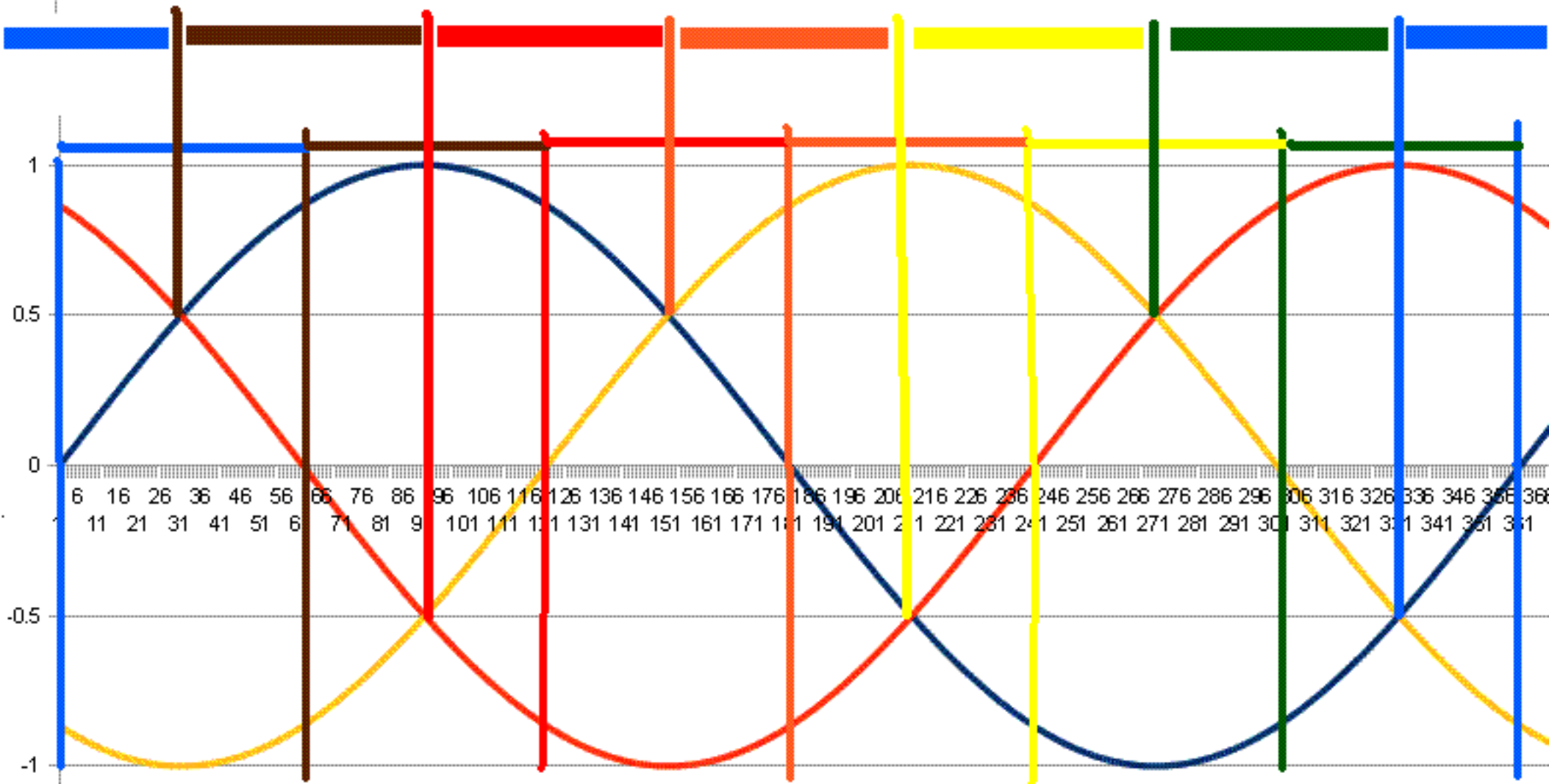
1 2 3 4 5 6

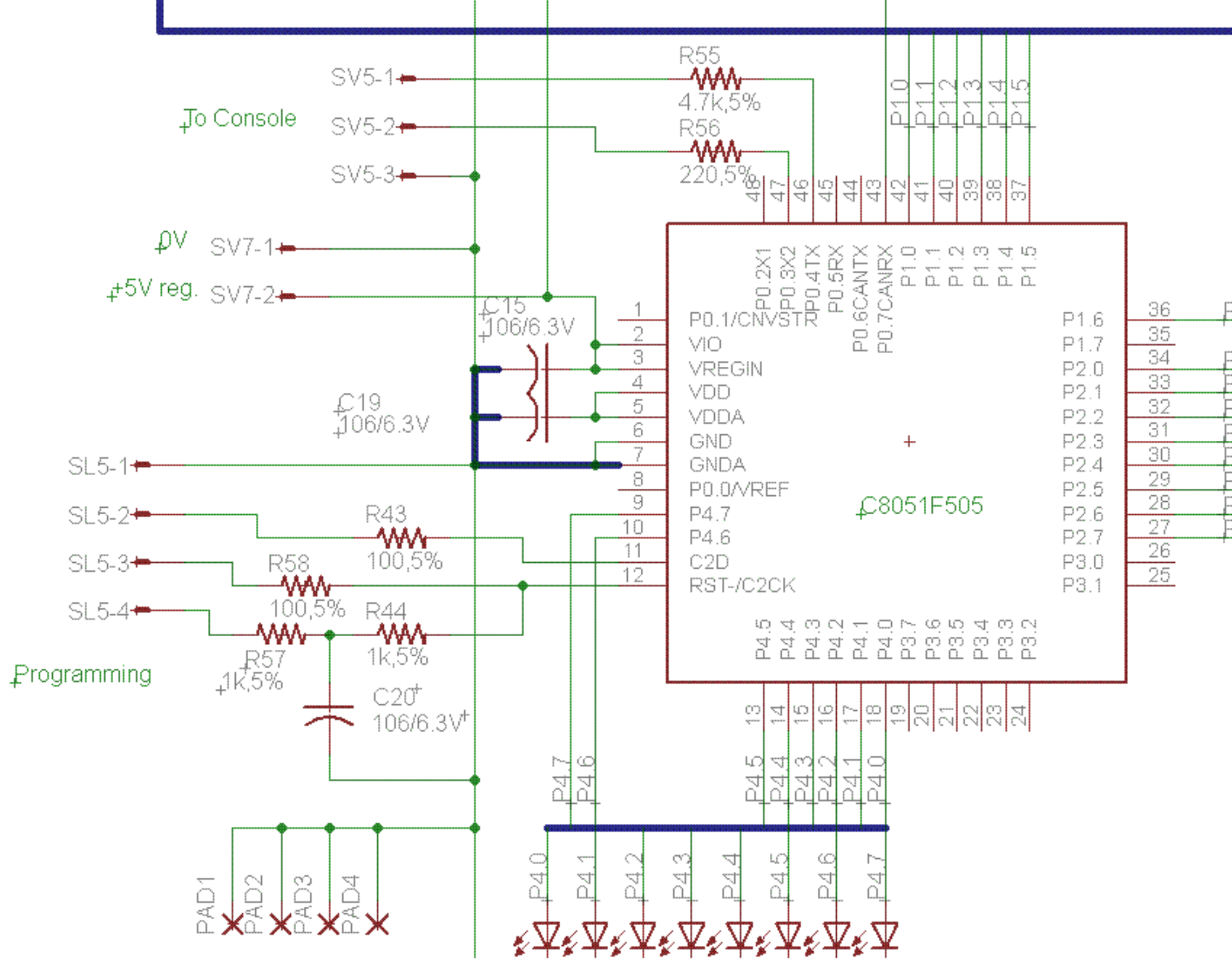
U

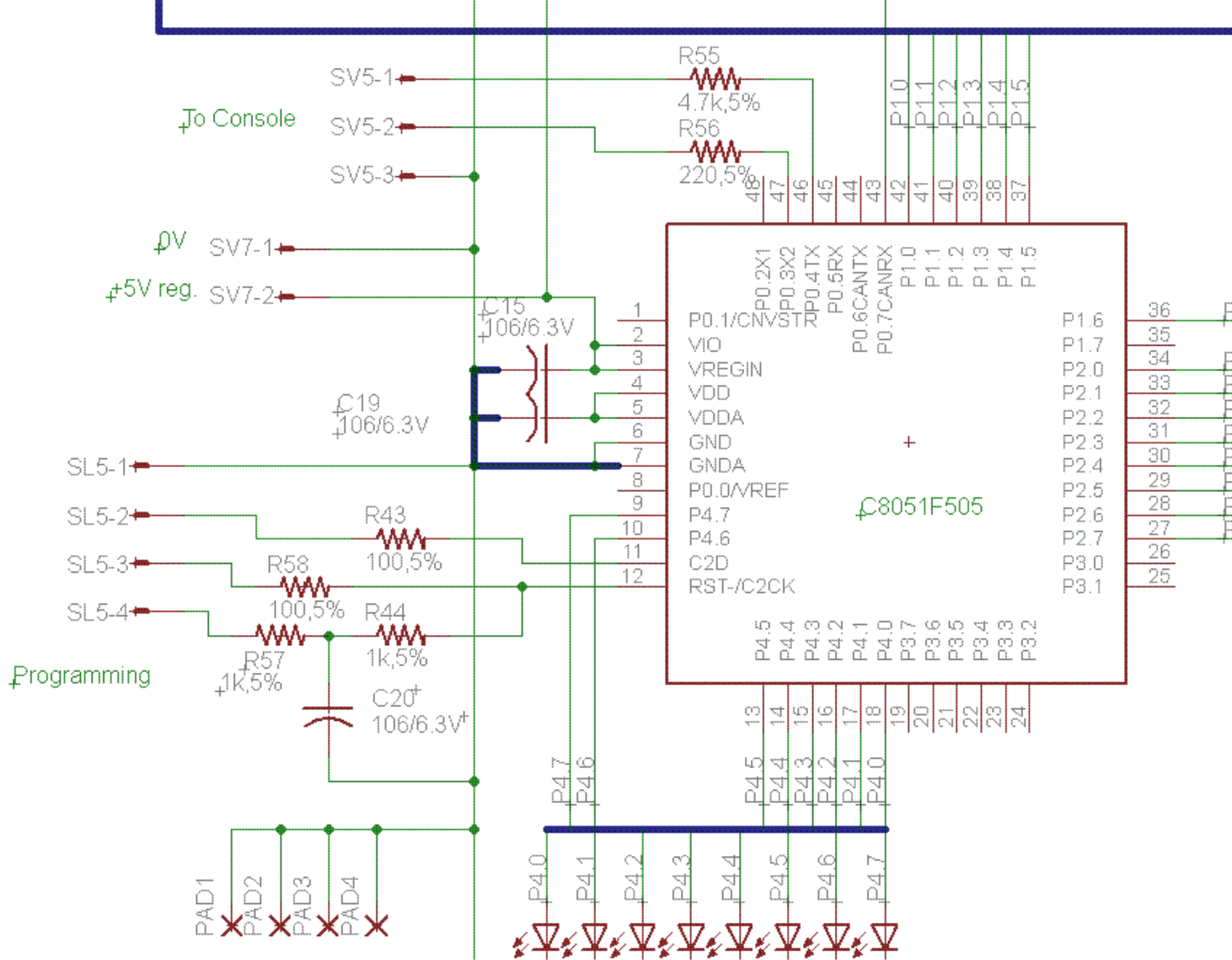
V

W









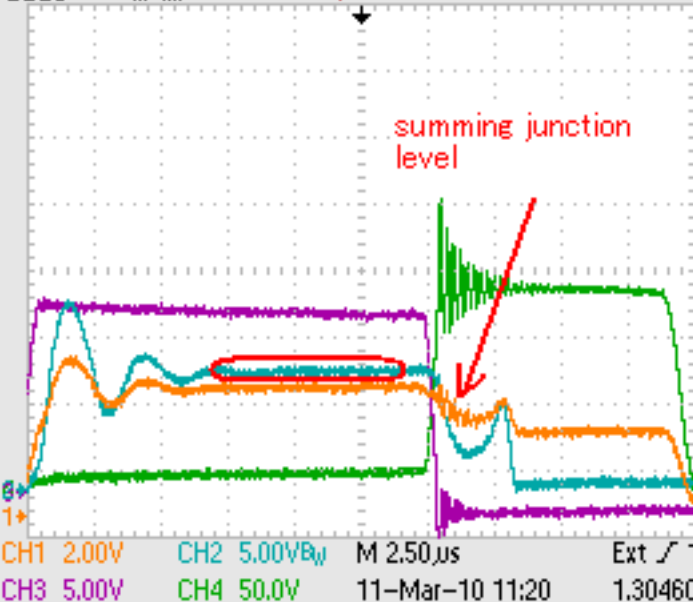
Tek



● Stop

M Pos: 0.000s

TRIGGER

Type
EdgeSource
ExtSlope
RisingMode
NormalCoupling
DC

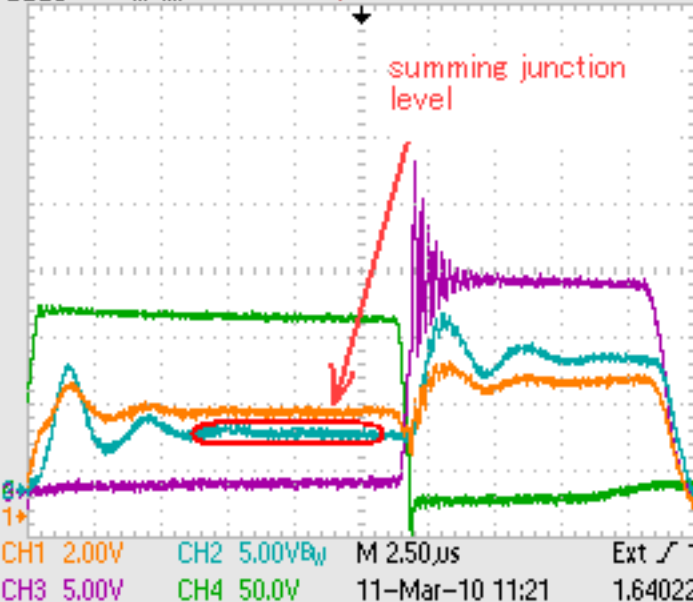
Tek

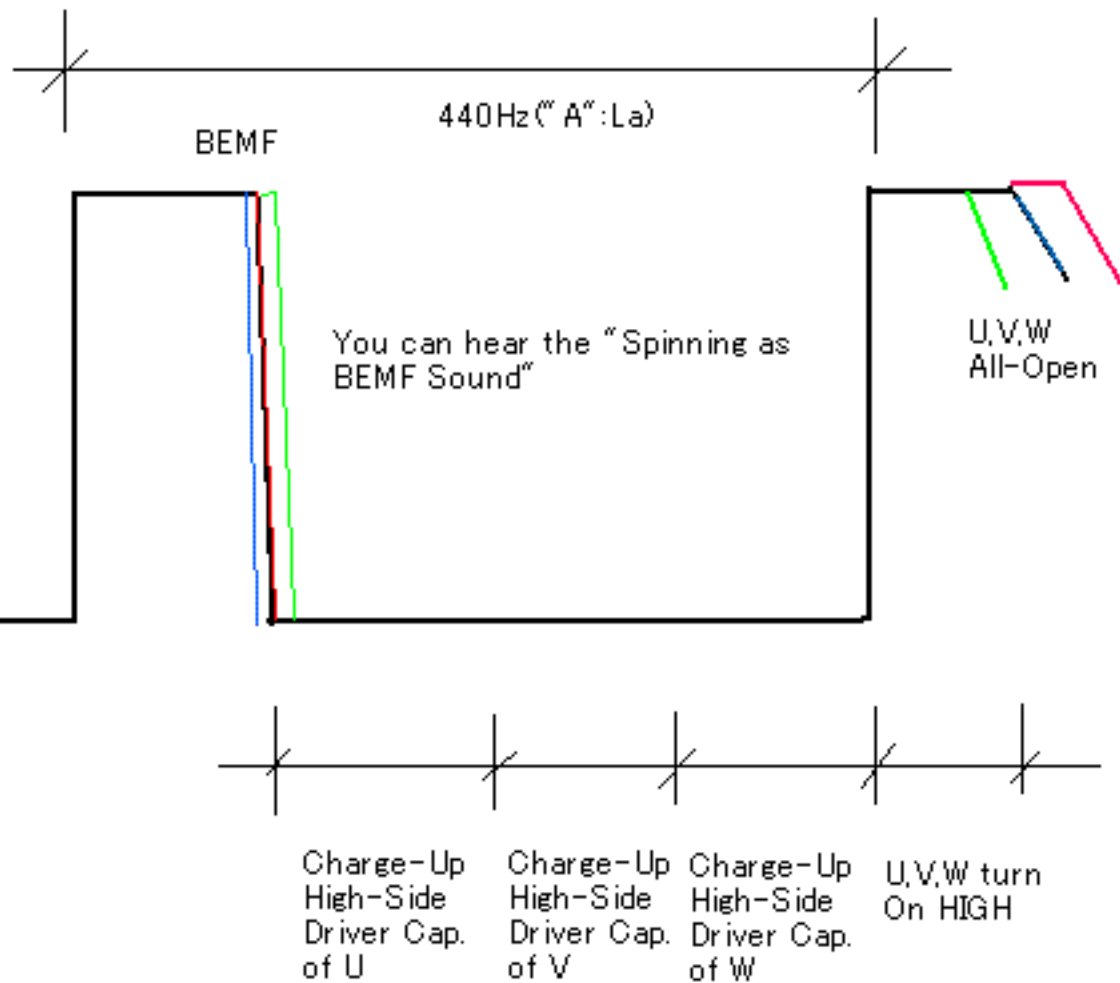


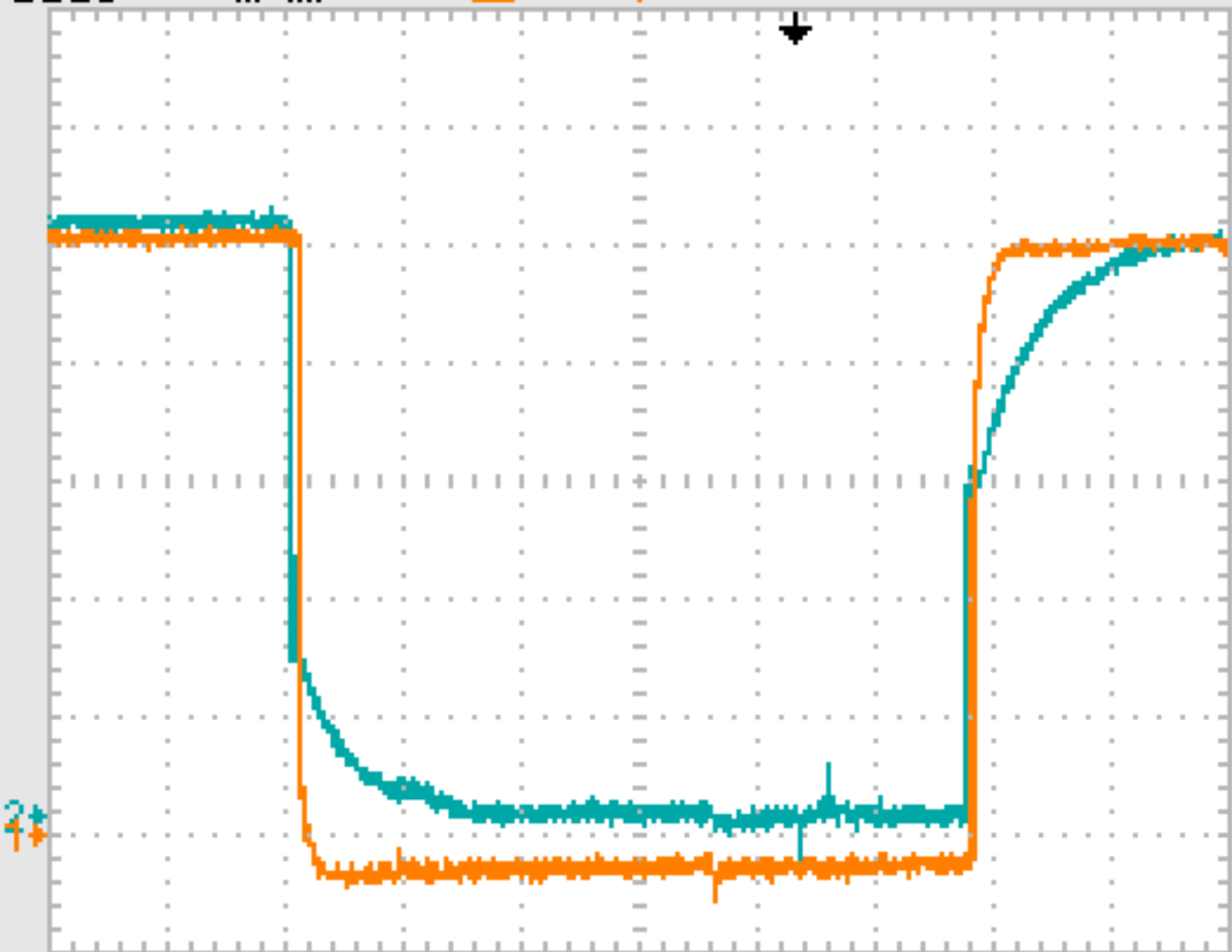
● Stop

M Pos: 0.000s

TRIGGER

Type
EdgeSource
ExtSlope
RisingMode
NormalCoupling
DC





Coupling

DC

BW Limit

Off

100MHz

Volts/Div

Coarse

Probe

10X

Invert

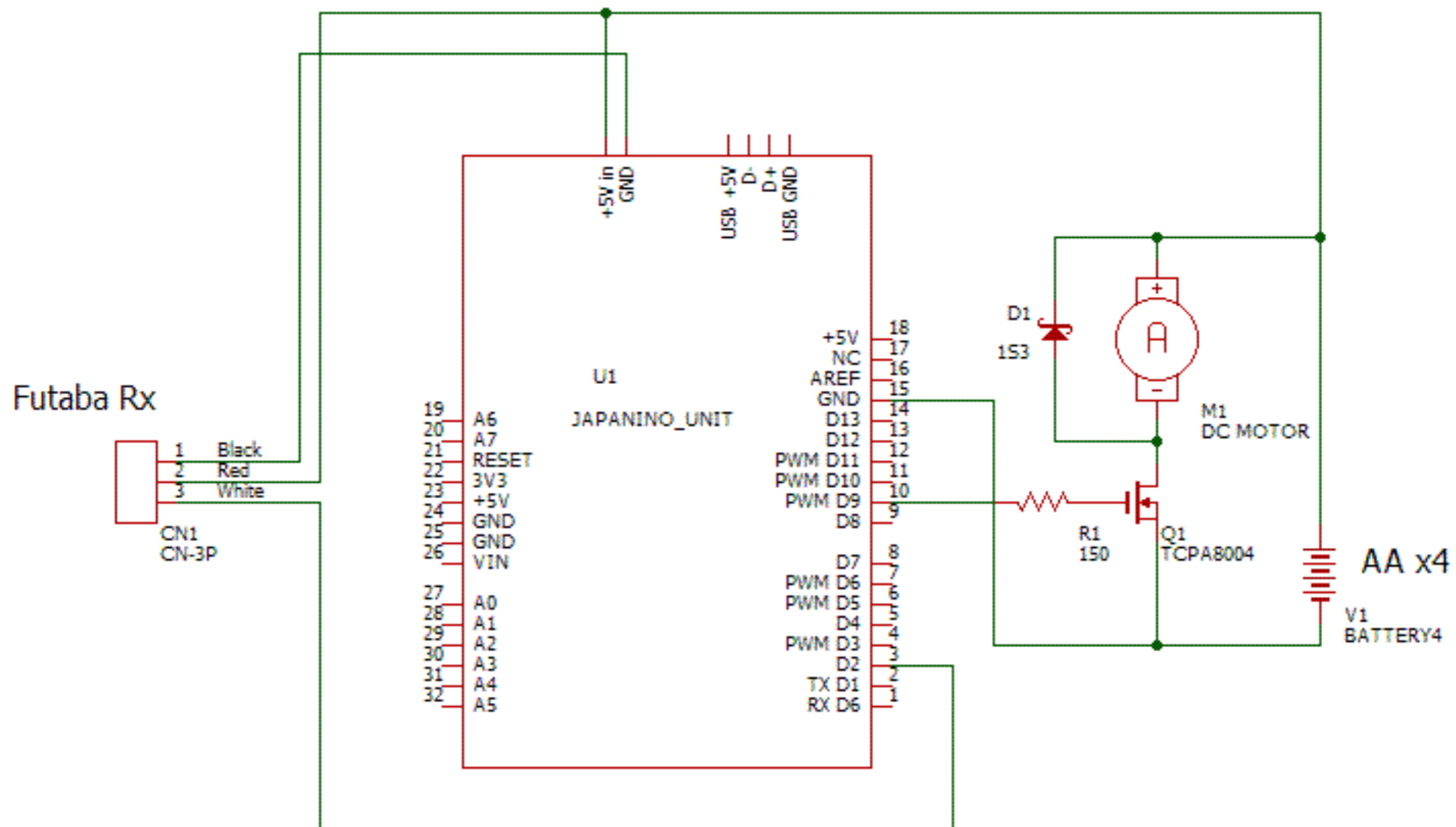
Off

CH1 2.00V

CH2 2.00V

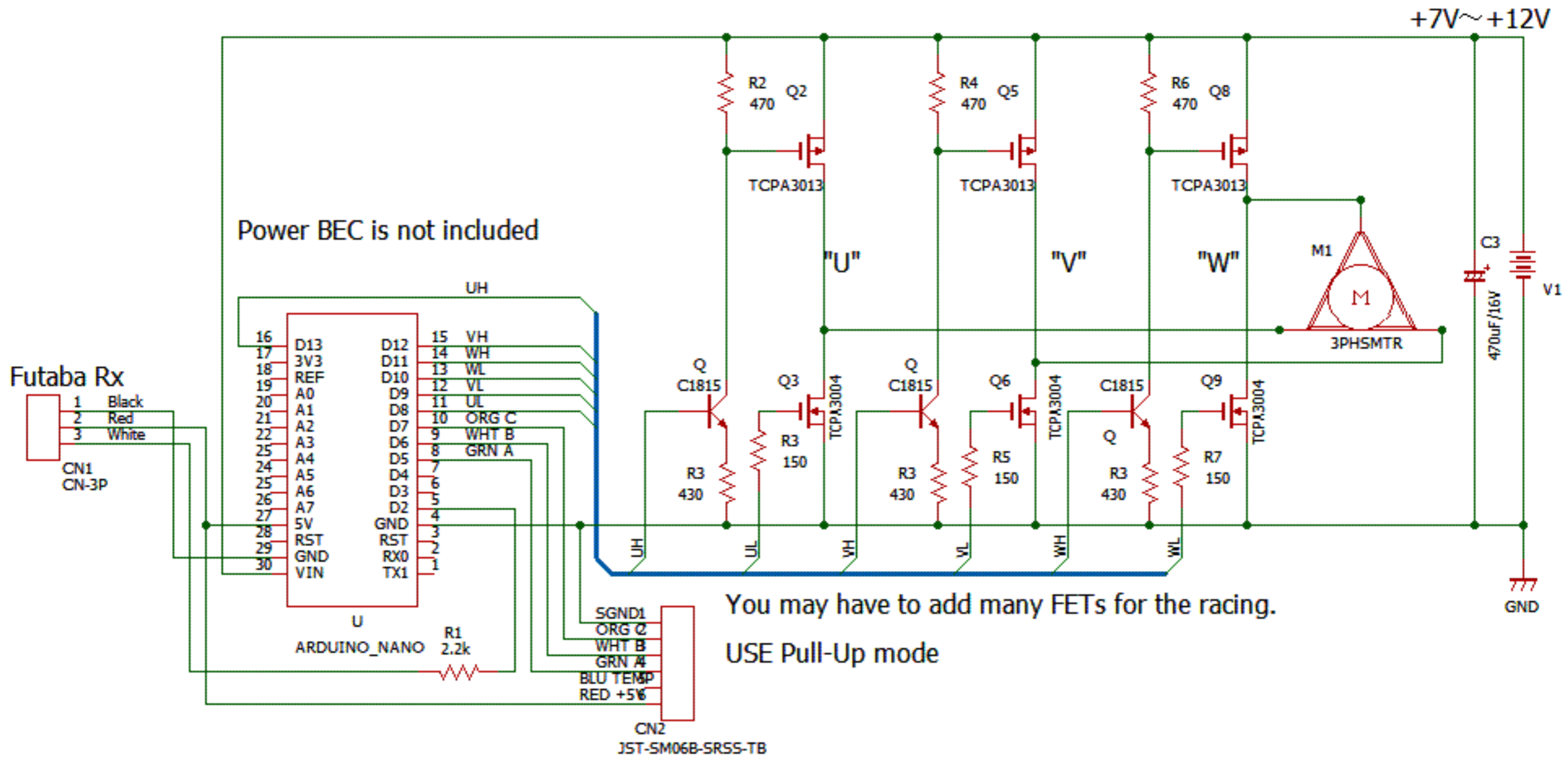
M 5.00 μ s

Ext \sim 1.27V



Ver.1.0

Designed	Date	Title	Page
大王怒	10/10/31	Japanino Speed Controller	1/1



<http://www.rcgroups.com/forums/attachment.php?attachmentid=1244043>
But, the blue line is connected to +5V at Hobby king BL540ST.

Ver.1.0

Designed	Date	Title	Page
大王怒	10/12/16	Auduino NANO Sensoerd BLDC	1/1