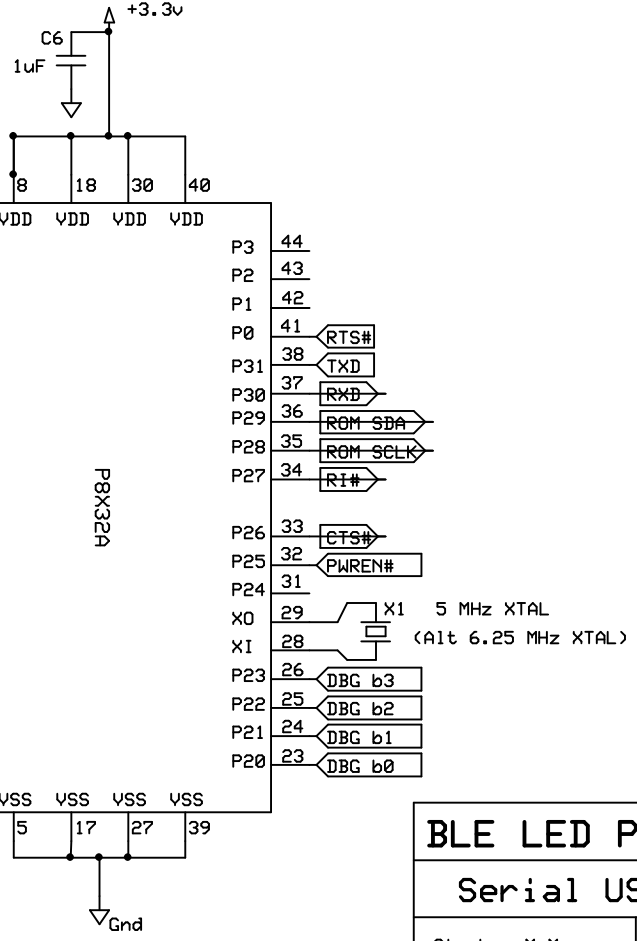
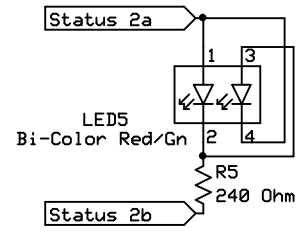
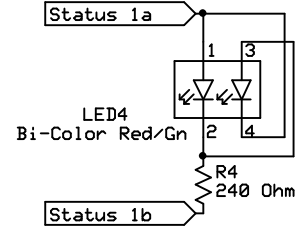
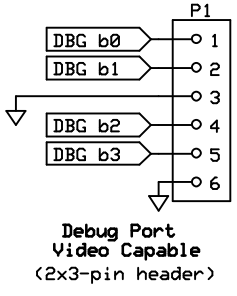
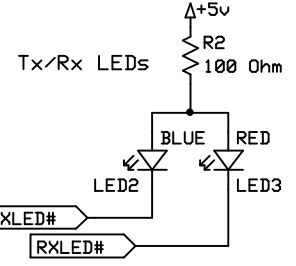
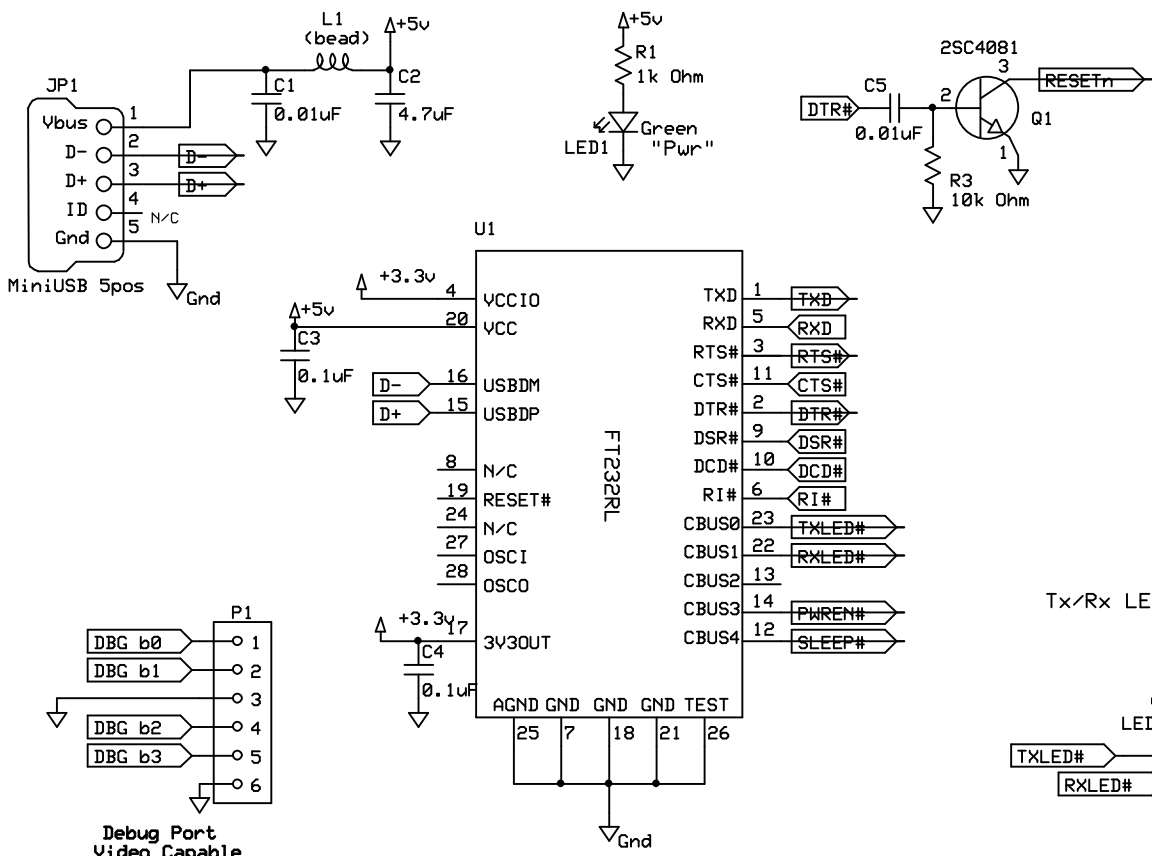


- JP1
- L1
- C1-C6
- R1-R5
- LED1-LED6
- U1-U2
- Q1
- P1
- X1

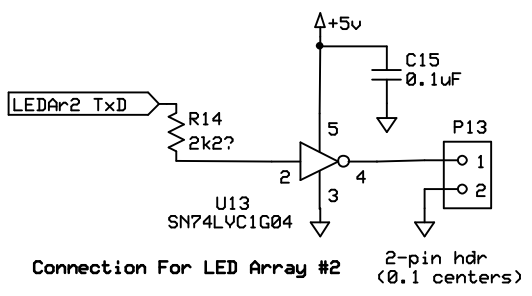
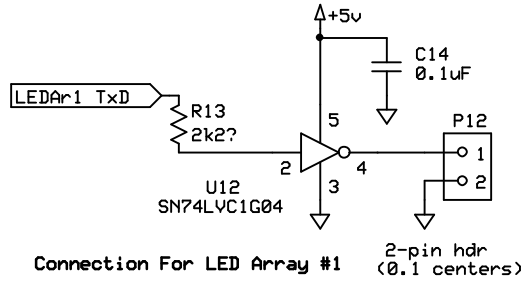
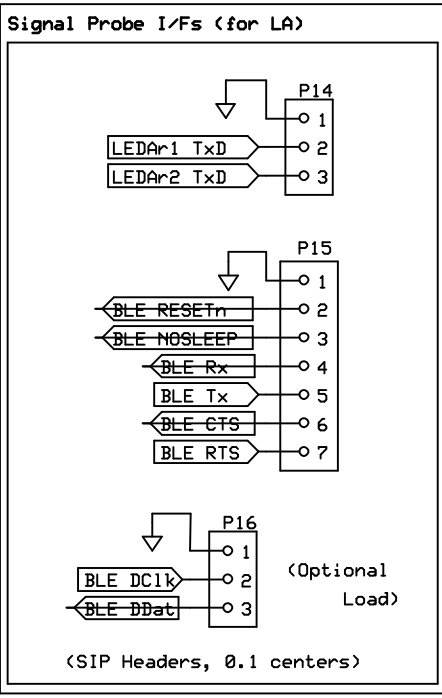
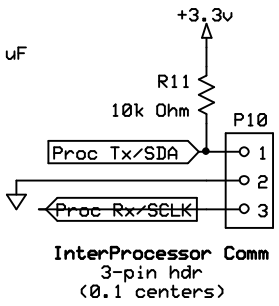
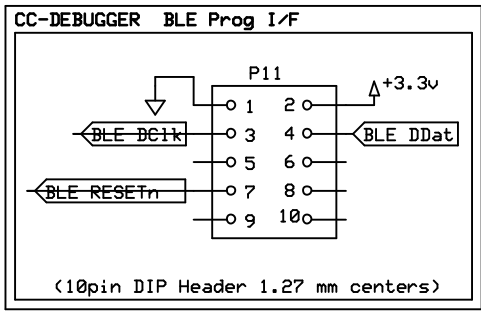
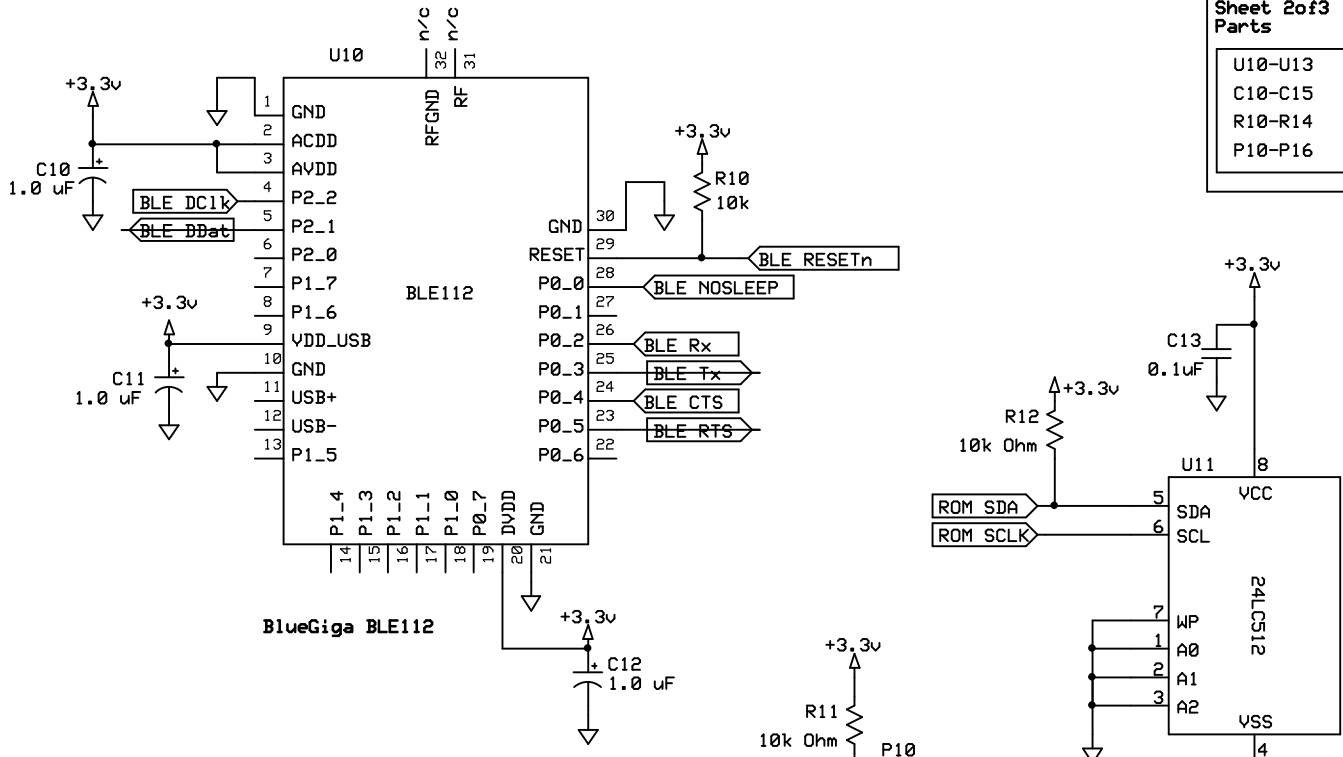


BLE LED Panel Ctlr by KZ0Q

Serial USB I/F and Propeller

Stephen M Moraco	Rev A3 22 Feb 2014	Page 1 of 3
------------------	-----------------------	-------------

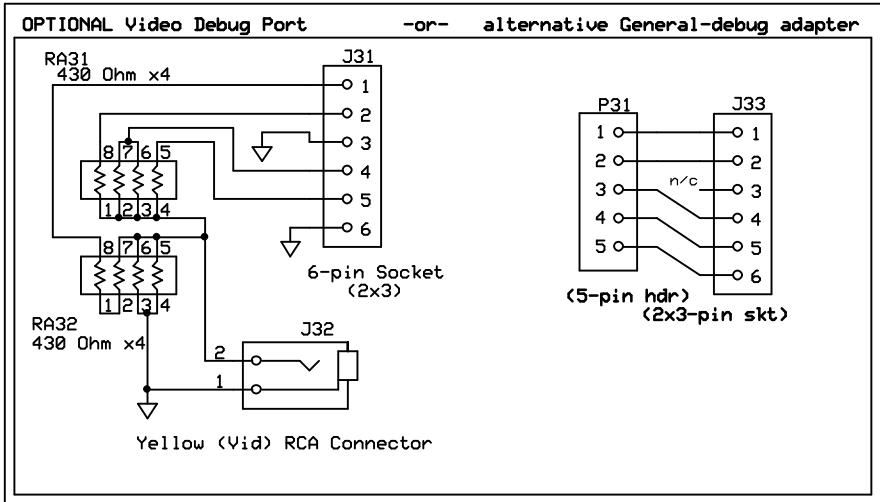
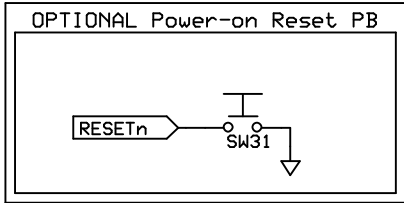
- U10-U13
- C10-C15
- R10-R14
- P10-P16



BLE LED Panel Ctlr by KZ0Q
ROM, IR Test Pts, Radio, 2x5v

Stephen M Moraco	Rev A3 22 Feb 2014	Page 2 of 3
------------------	-----------------------	-------------

Sheet 3 of 3 Parts SW31 RA31-RA32 J31-J33 P31
--



BLE LED Panel Ctlr by KZ0Q		
Opt. Components / daughter bds		
Stephen M Moraco	Rev A3 22 Feb 2014	Page 3 of 3