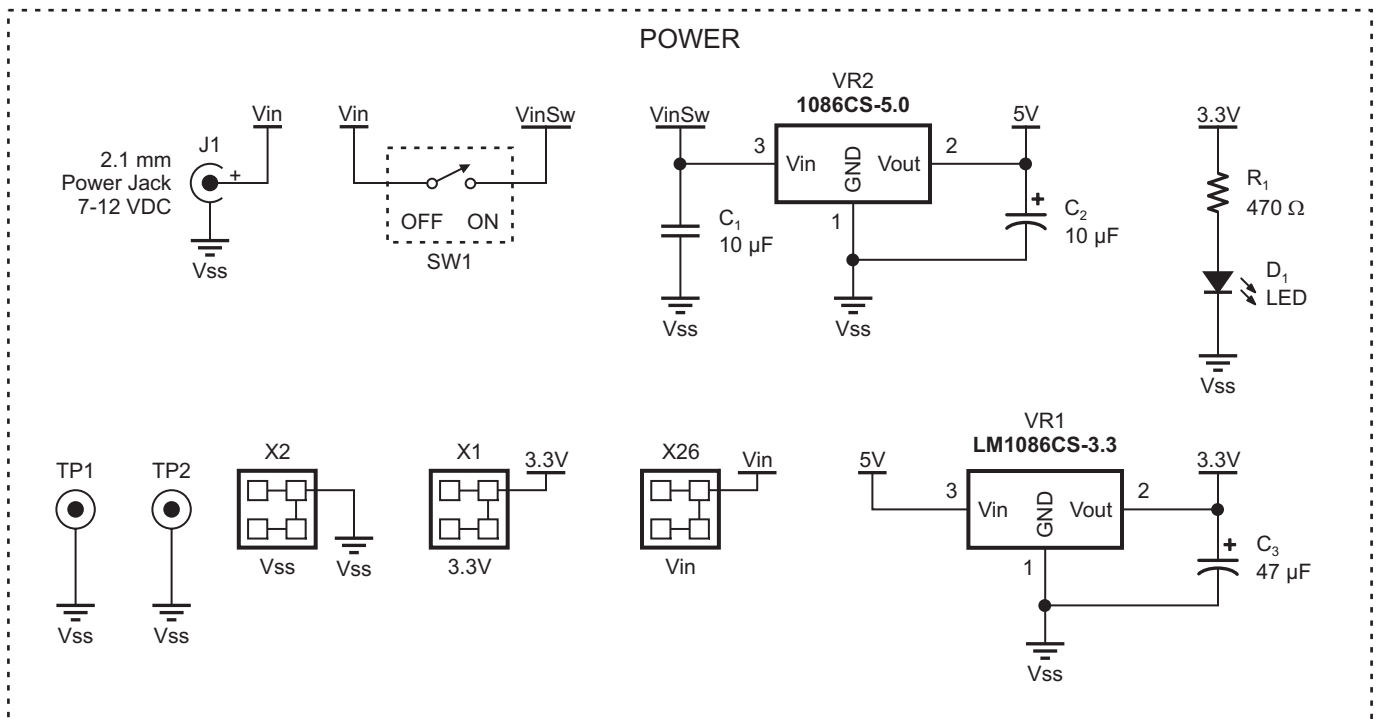


# Propeller Professional Development Board Schematic Rev. B

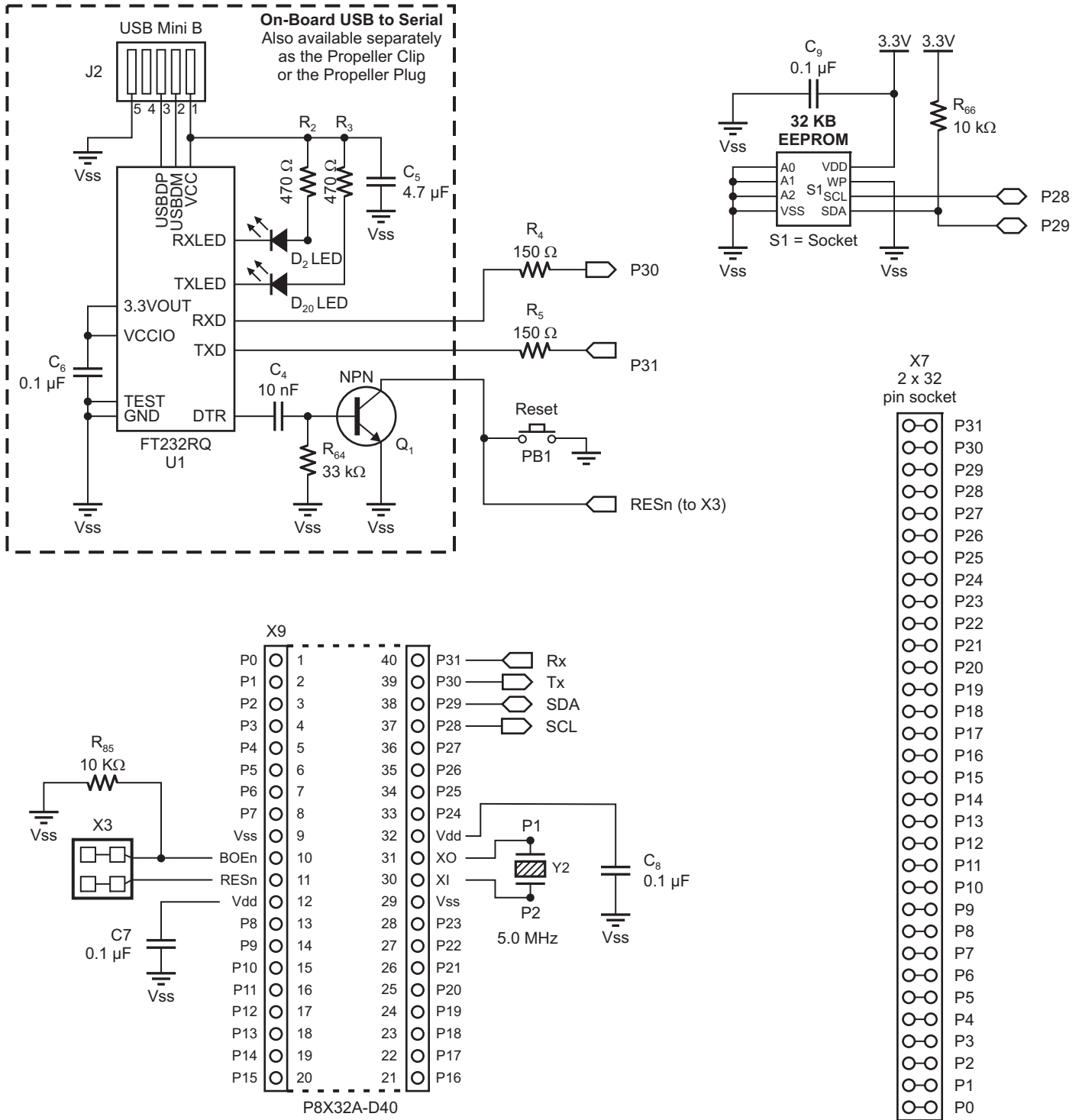
Updated August 30, 2012 © Parallax, Inc.



## Propeller Professional Development Board Schematic Rev. B

Updated August 30, 2012 © Parallax, Inc.

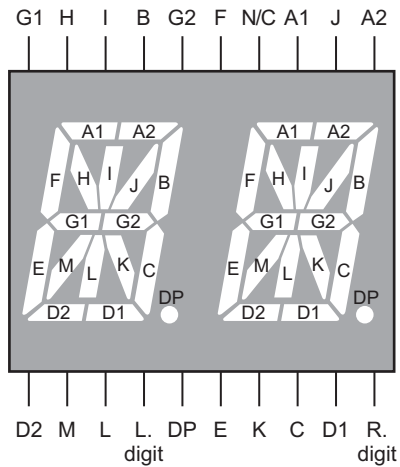
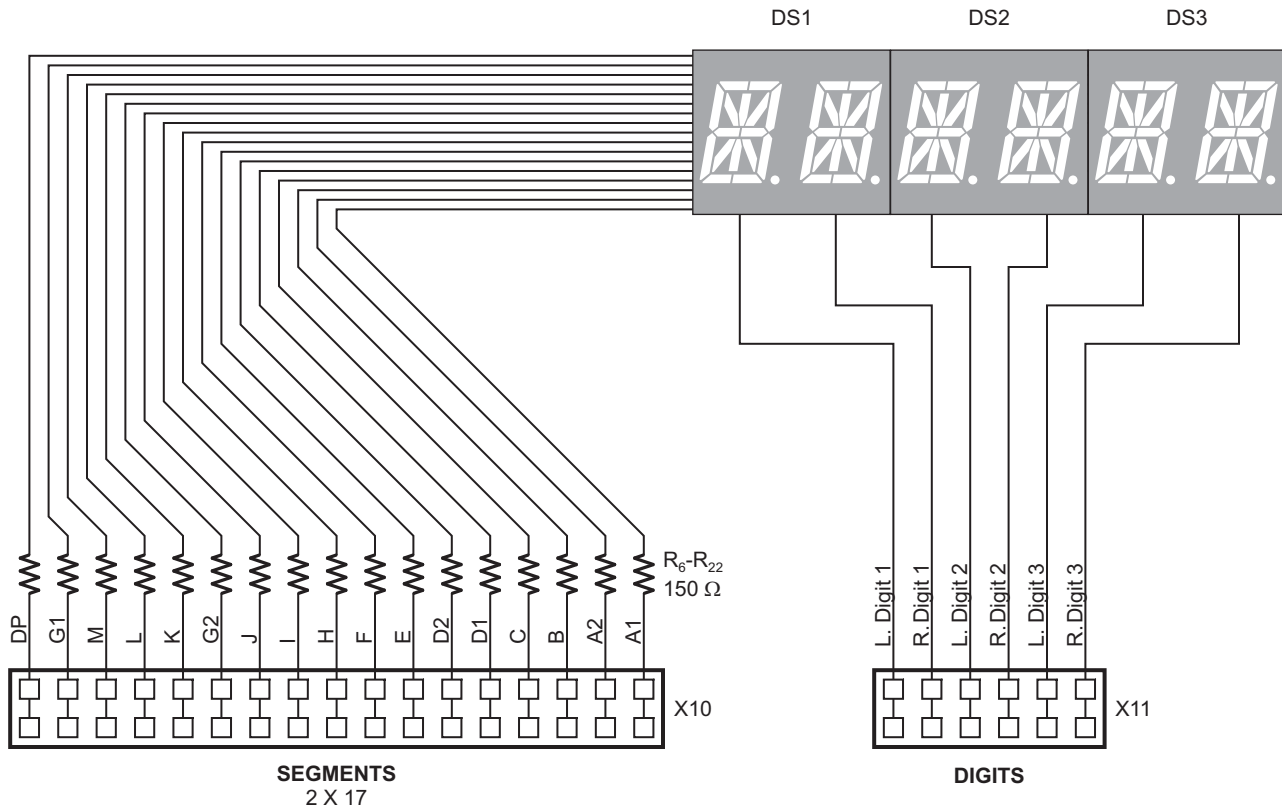
### PROPELLER CIRCUIT



# Propeller Professional Development Board Schematic Rev. B

Updated August 30, 2012 © Parallax, Inc.

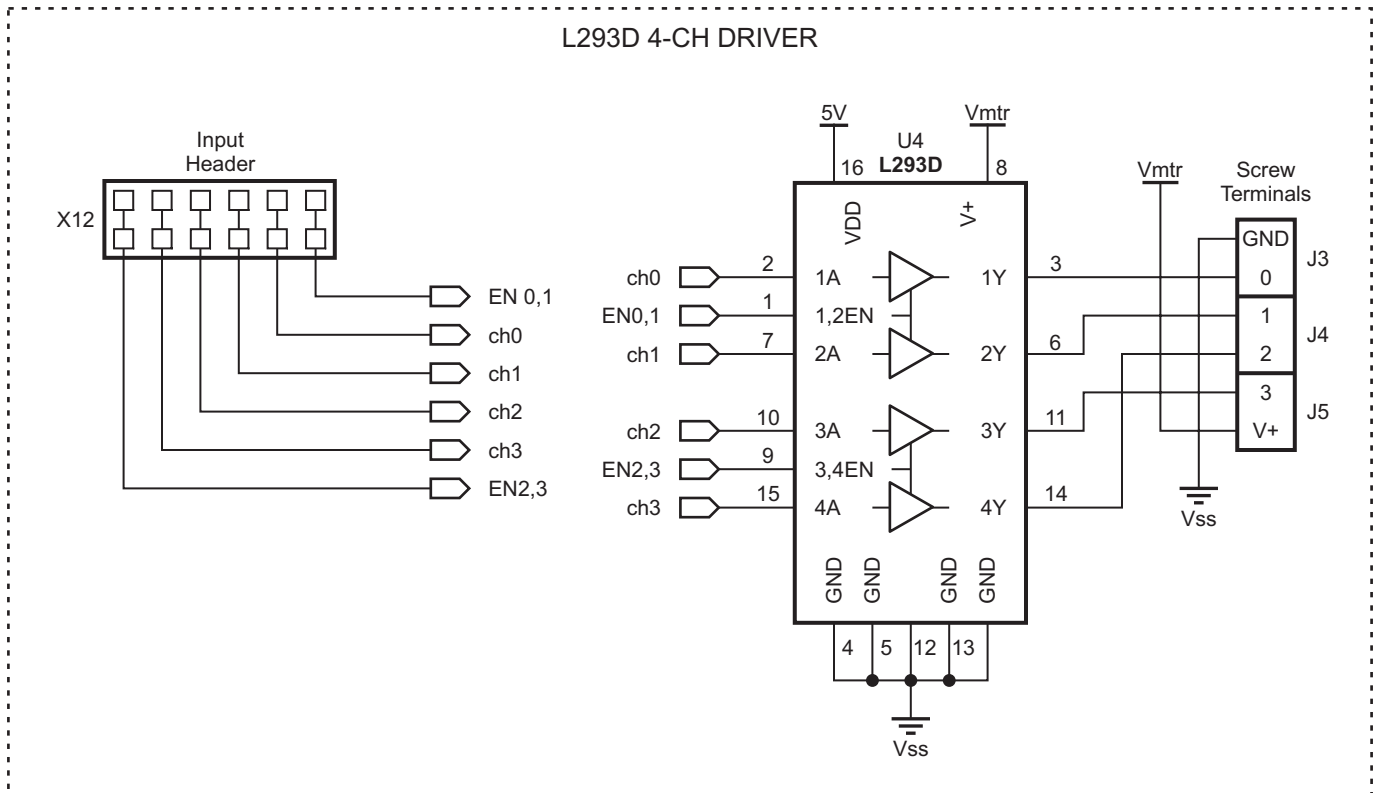
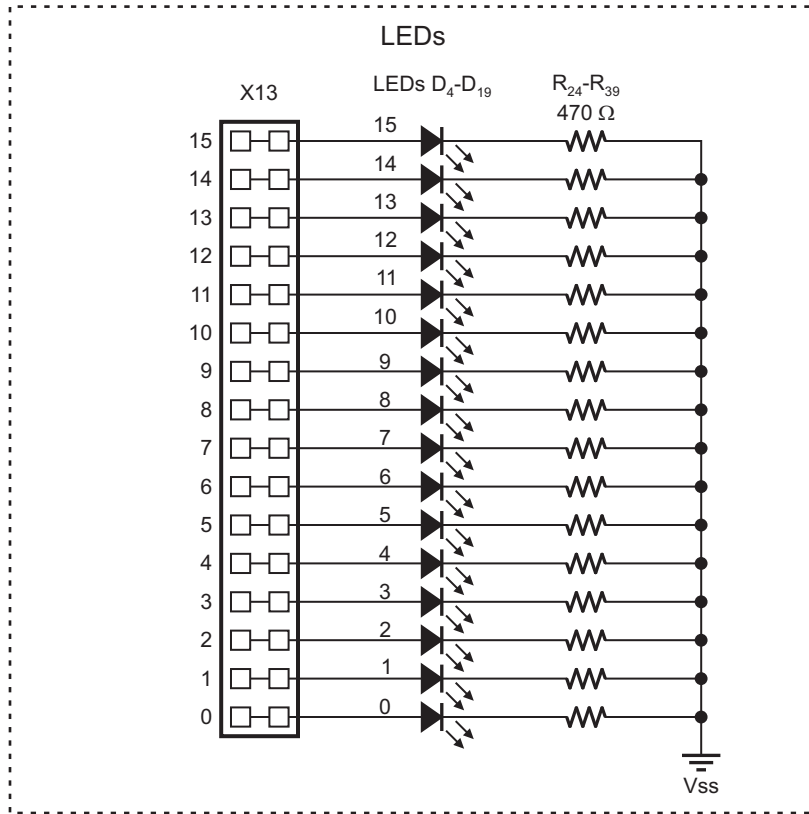
## SIXTEEN SEGMENT DISPLAYS



Pin Locations  
(common cathode)

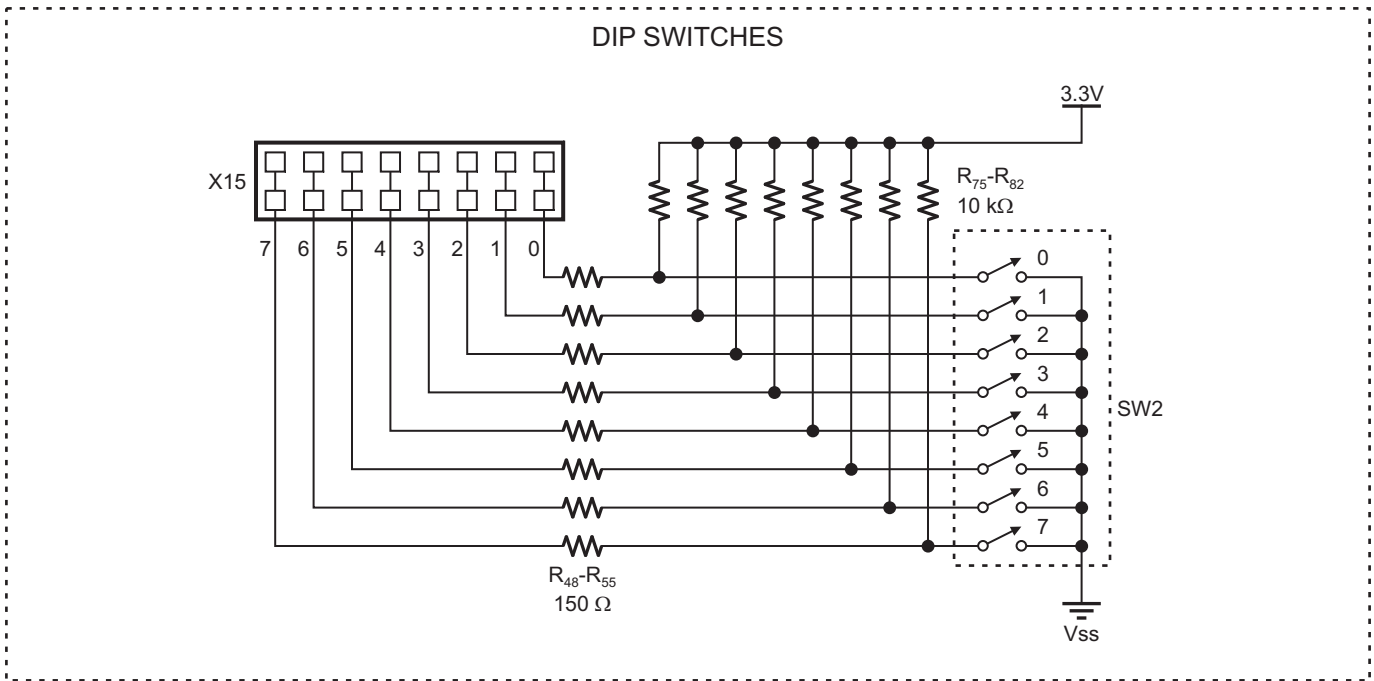
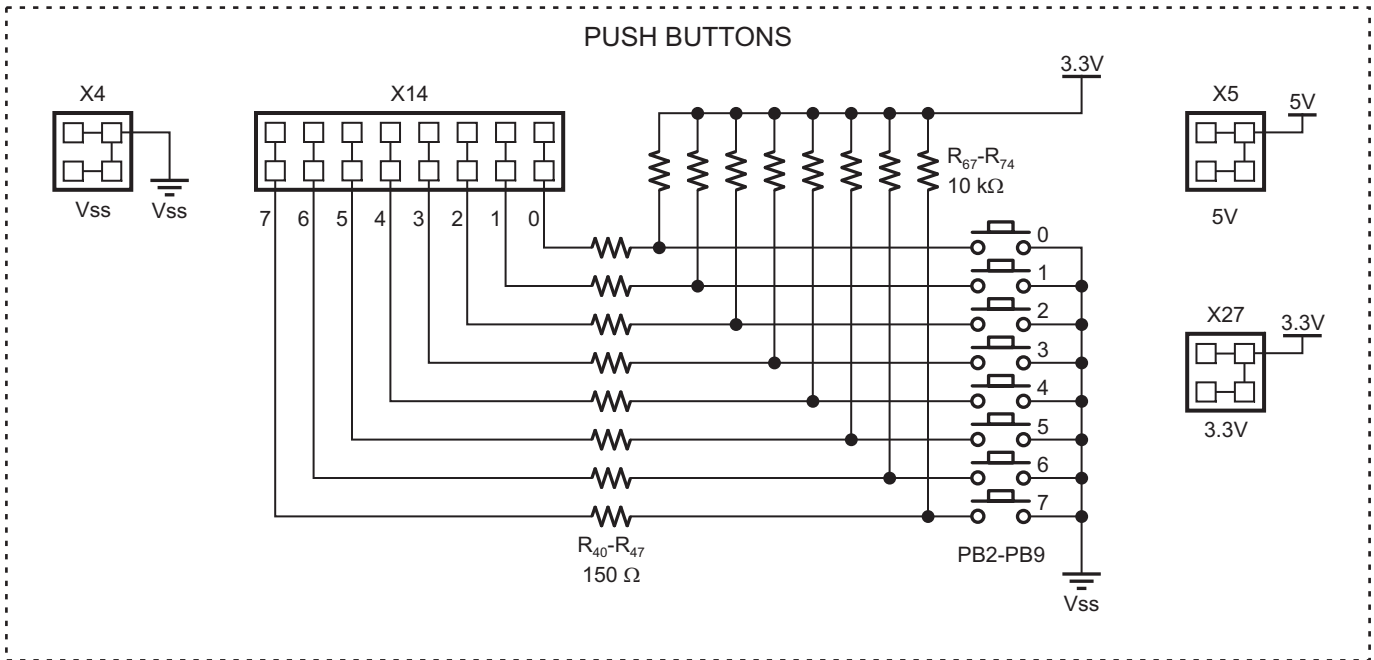
# Propeller Professional Development Board Schematic Rev. B

Updated August 30, 2012 © Parallax, Inc.



# Propeller Professional Development Board Schematic Rev. B

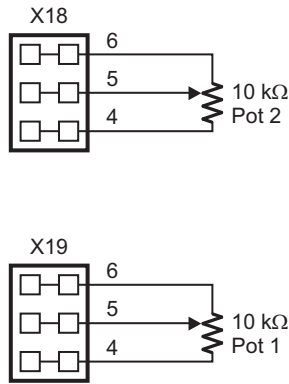
Updated August 30, 2012 © Parallax, Inc.



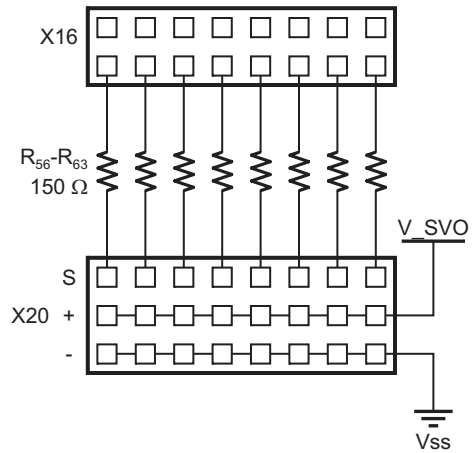
## Propeller Professional Development Board Schematic Rev. B

Updated August 30, 2012 © Parallax, Inc.

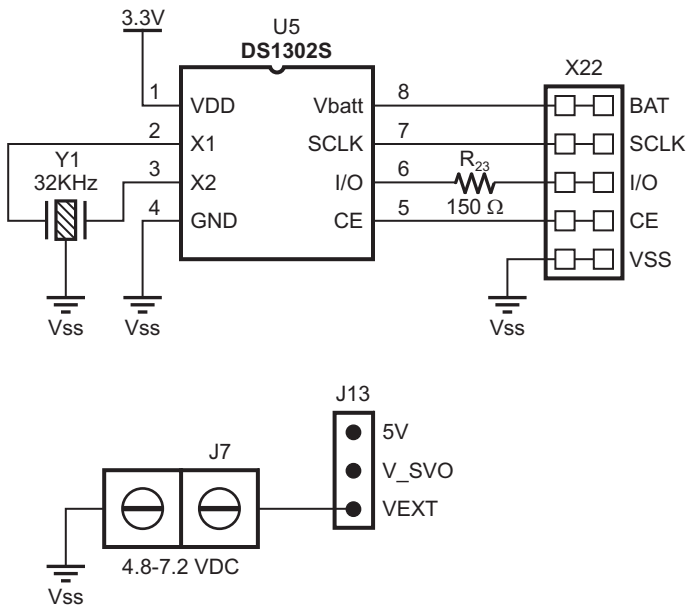
### 10K POTS



### SERVOS

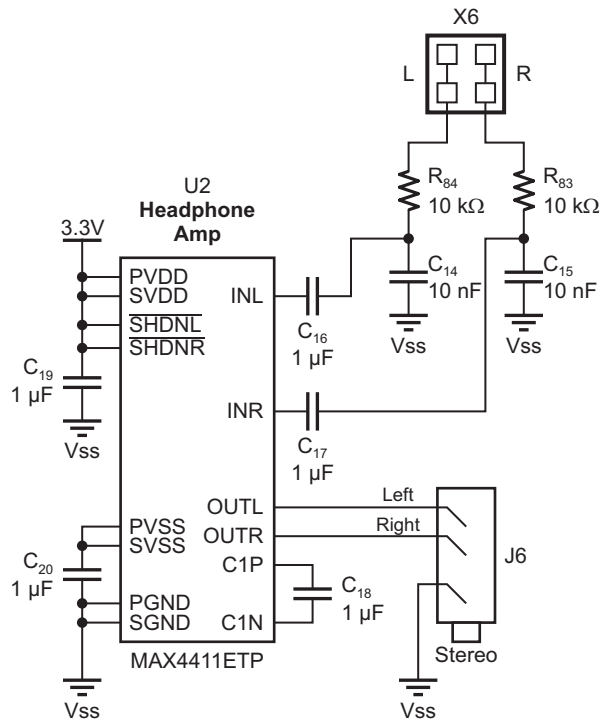


### REAL TIME CLOCK



(J7 = Screw Terminal)  
 (J13 = HDR 1x3 male)

### HEADPHONES



## Propeller Professional Development Board Schematic Rev. B

Updated August 30, 2012 © Parallax, Inc.

