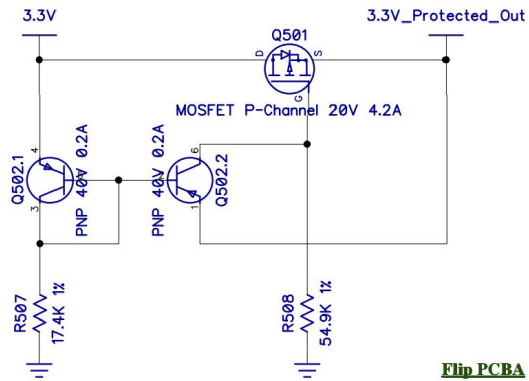
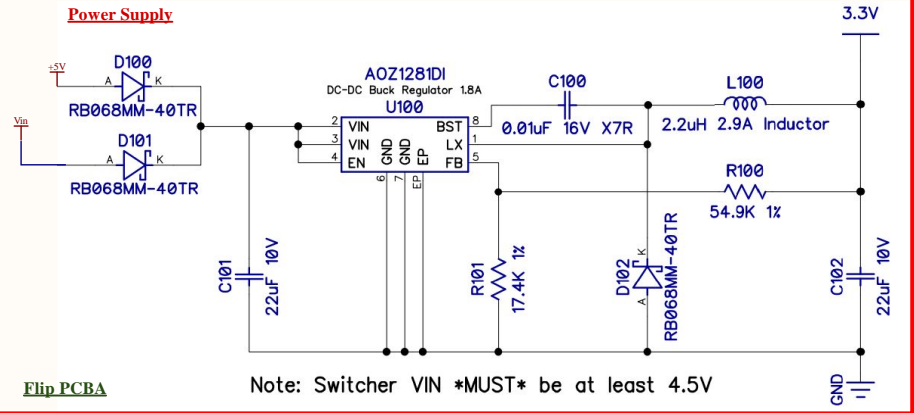


3.3Vout Reverse Polarity Protection



Flip PCBA

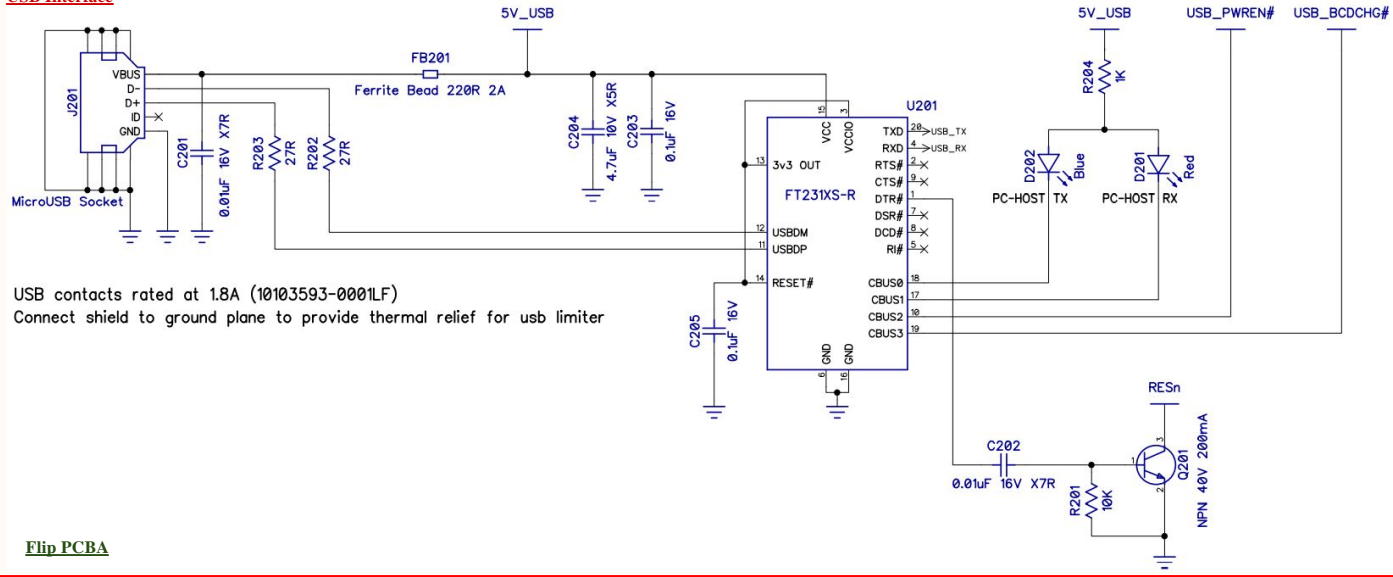
Power Supply



Note: Switcher VIN *MUST* be at least 4.5V

Flip PCBA

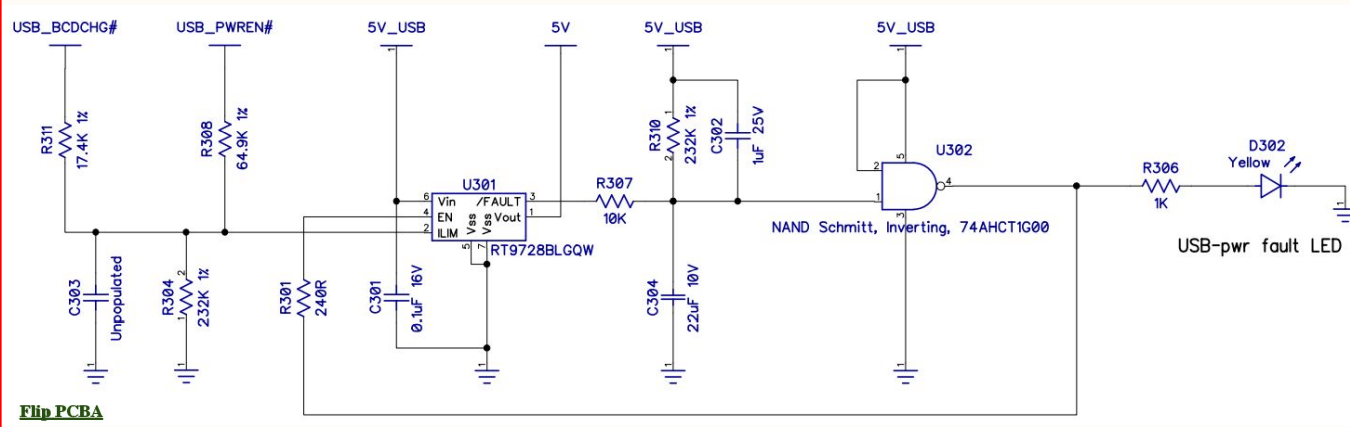
USB Interface



USB contacts rated at 1.8A (10103593-0001LF)
Connect shield to ground plane to provide thermal relief for usb limiter

Flip PCBA

USB Current Limiting



Flip PCBA

Title LifeCuff Device		
Size: B	Number: 1	Revision: 1.1
Date: 5/30/2020	Time: 1:53:52 PM	Sheet 3 of 3
File: C:\Users\Public\Documents\Altium\Projects\TML\TML_Sheet3.SchDoc		

LifeCuff Technologies Inc.
NJ
USA

