

A

B

C

D

E

F

1

2

3

4

A

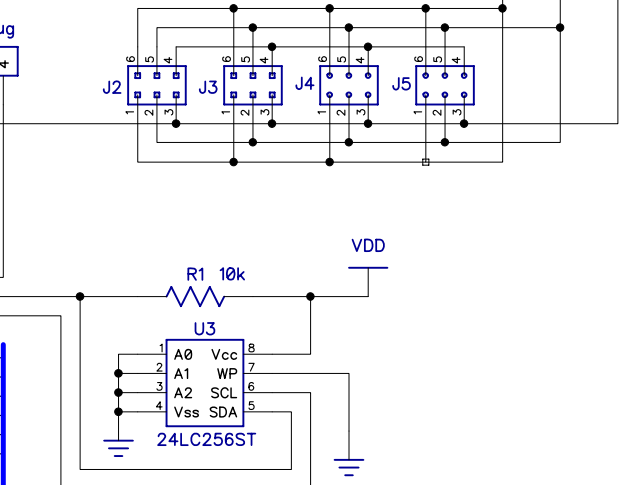
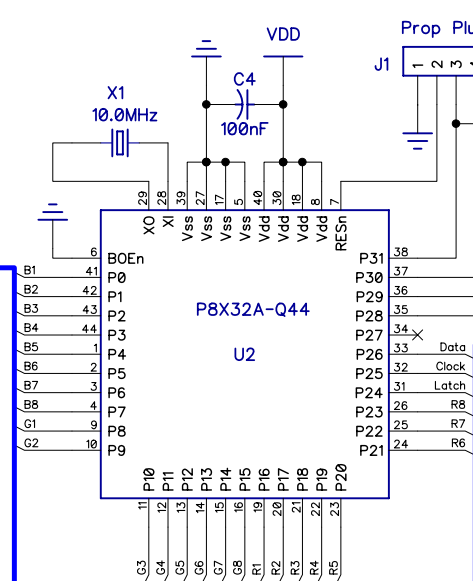
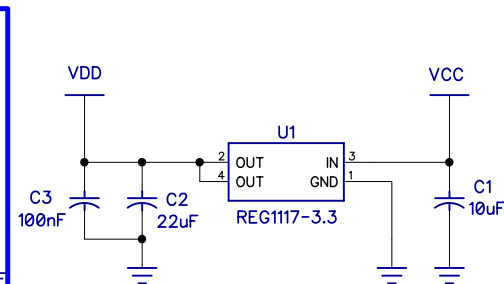
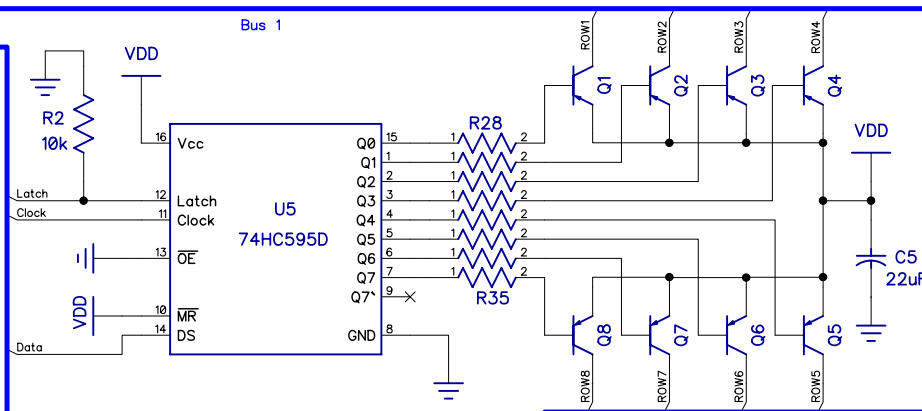
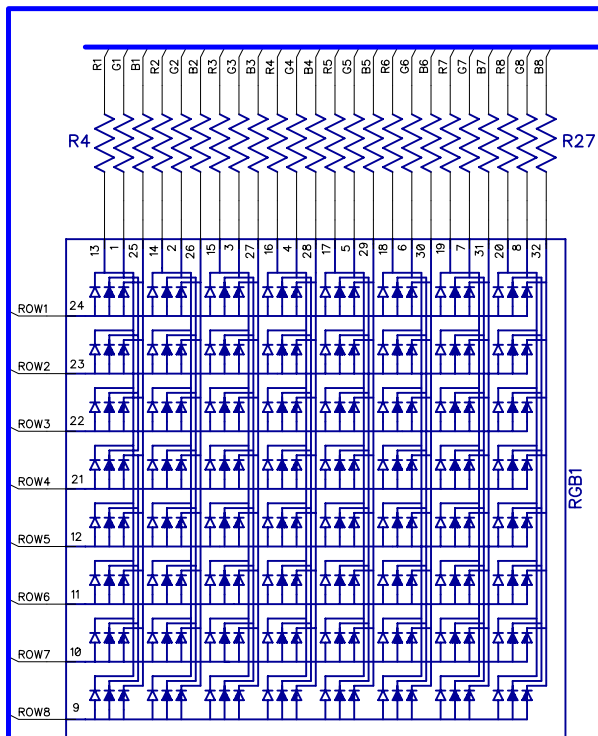
B

C

D

E

F



# 8x8 RGB LED Matrix Display Module

SimplyTronics  
www.simplytronics.com

Part Number: ST-00050	SIZE	FSCM NO.	DWG NO. 1/1	REV A
Date: 29 July 2012	SCALE	Sheet 1		