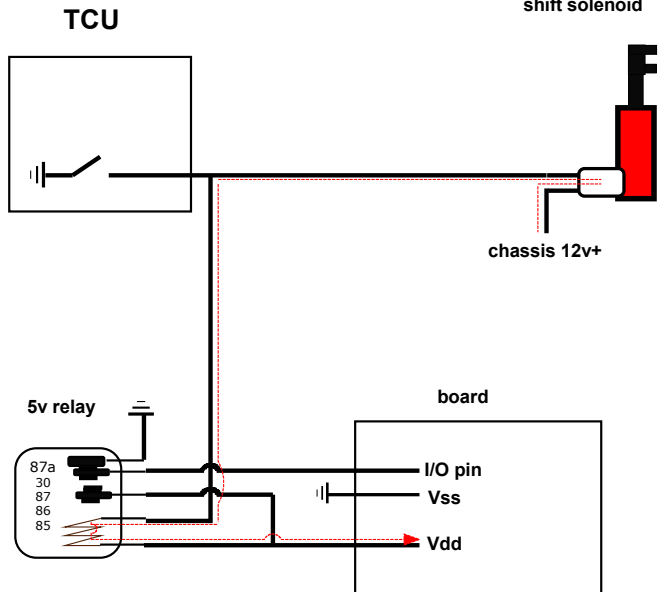


4L60-e actual gear indication

GEAR	1-2 SOLENOID	2-3 SOLENOID
Park, Reverse, Neutral	ON	ON
First	ON	ON
Second	OFF	ON
Third	OFF	OFF
Fourth	ON	OFF

The 'A' model (bad idea!)



The 'B' model

