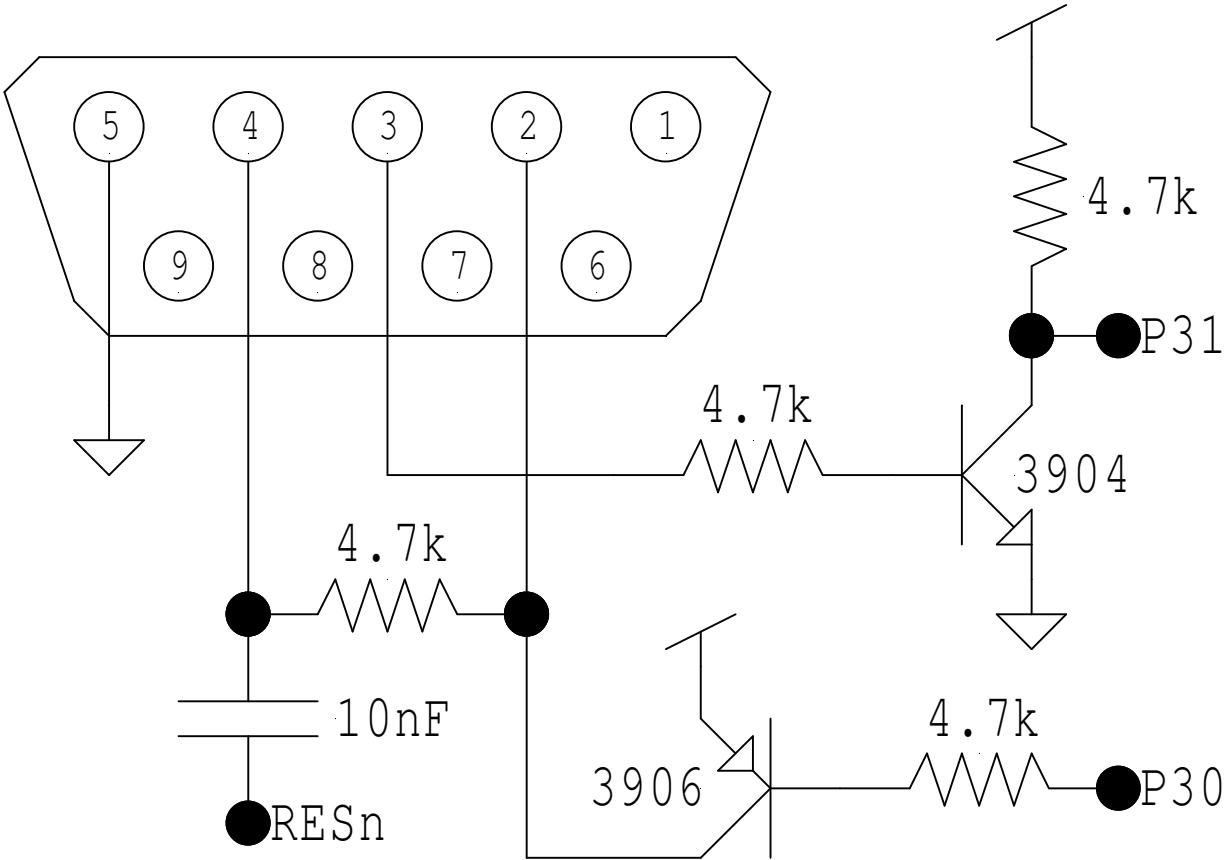



Propeller SERIAL Interface



Connect BOEn to VSS.

 = 3.3V