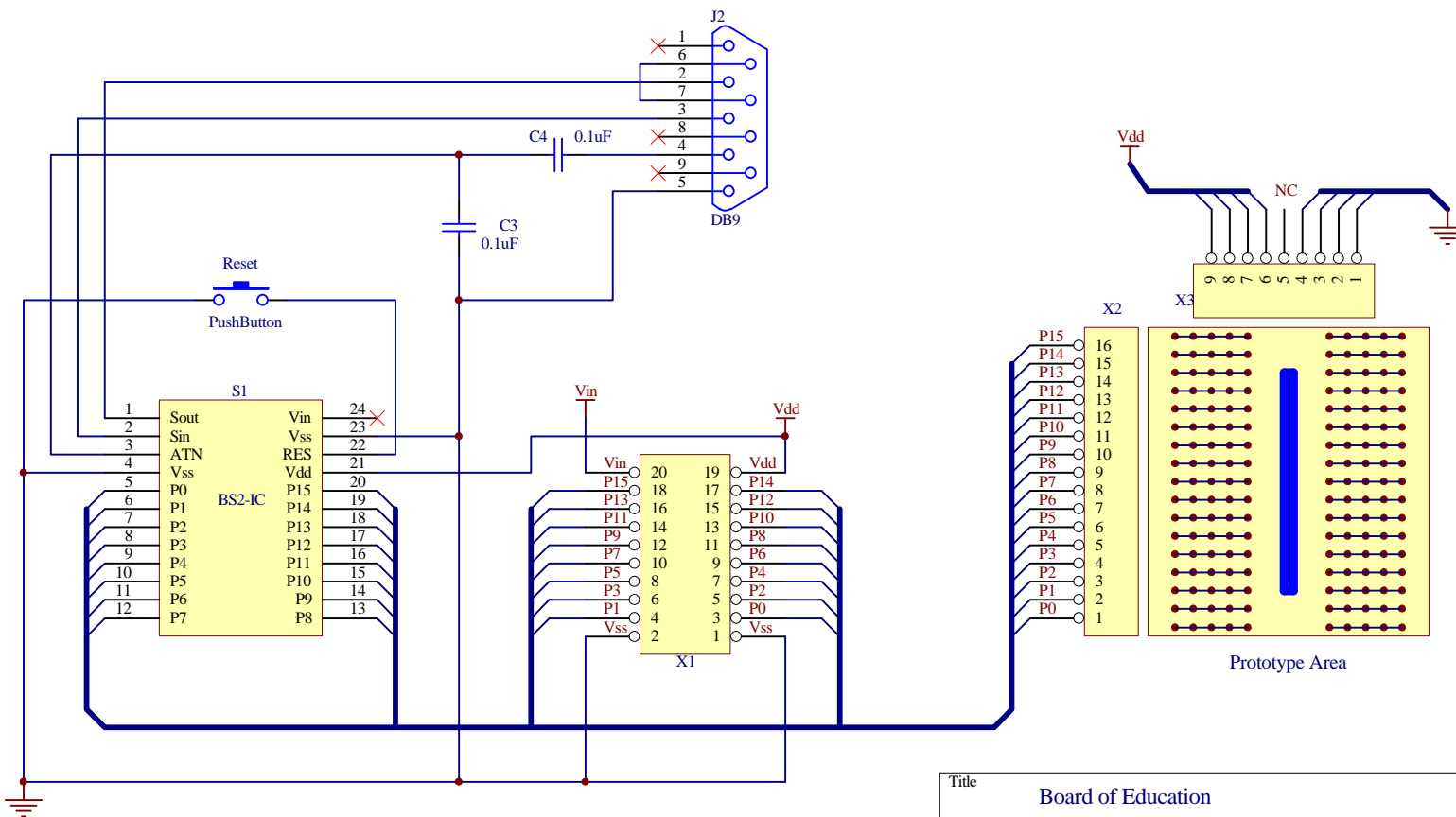


Note: The power jack and the battery are mechanically interlocked to assure they are used mutually exclusively.



Title		
Board of Education		
Size	Number	Revision
A		A
Date:	3-Aug-2004	Sheet 1 of 1
File:	P:\Engineering\...\BOE.sch	Drawn By: John Barrowman