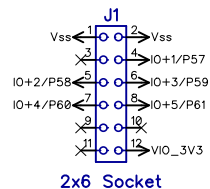
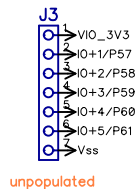


# Schematic

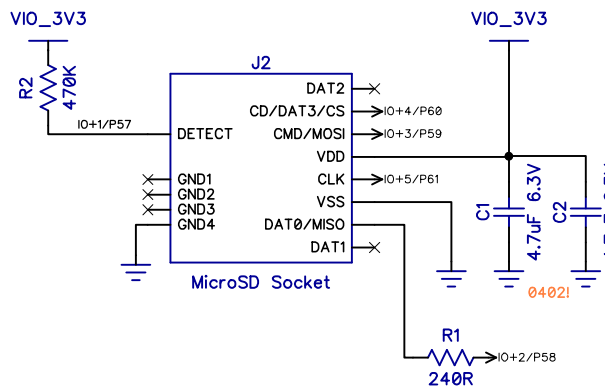
Edge expansion socket



Optional SIP header pads



microSD socket



Mounting holes



BOM only - mfg



Parallax Inc.  
599 Menlo Drive  
Rocklin, CA 95765  
  
(916) 624-8333  
<http://www.parallax.com/>

## microSD Add-on Board (P2 socket and SIP option)

Copyright 2021 Parallax Incorporated. All Rights Reserved.  
This is Open Source Hardware. This work is licensed under a Creative Commons Attribution-ShareAlike 4.0 International License. The full text of the license is available from: <http://creativecommons.org/licenses/by-sa/4.0>

Part Number: 64009  
Revision: A

Last Update: 31 Jan 2021 (MM)