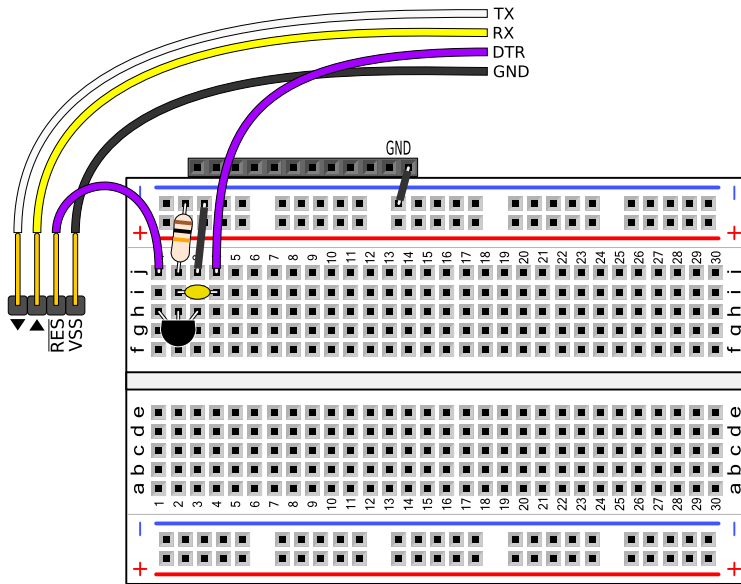




USB to 3.3V TTL



 10K

 0.1uF

 2N3904 or 2N7000