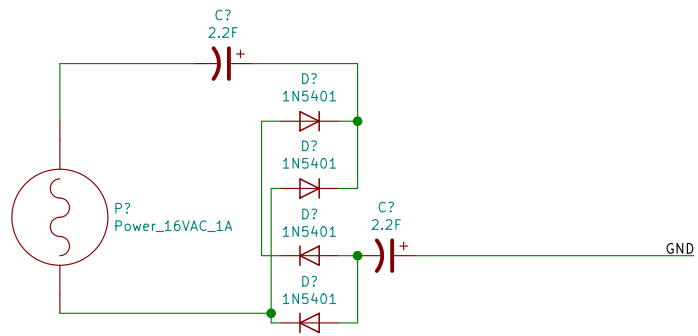
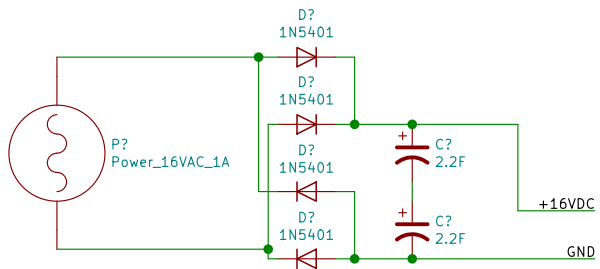


Bachmann version:



My version:



Sheet: /
File: 16vRectifier.sch

Title:

Size: A4 Date:
KiCad E.D.A. kicad (5.1.4)-1

Rev:
Id: 1/1