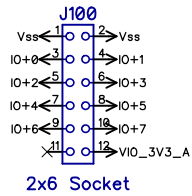
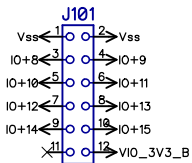


HyperRAM and HyperFLASH

Edge expansion socket (Dual)

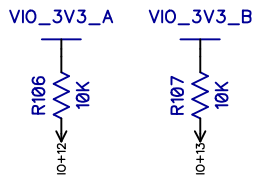


2x6 Socket

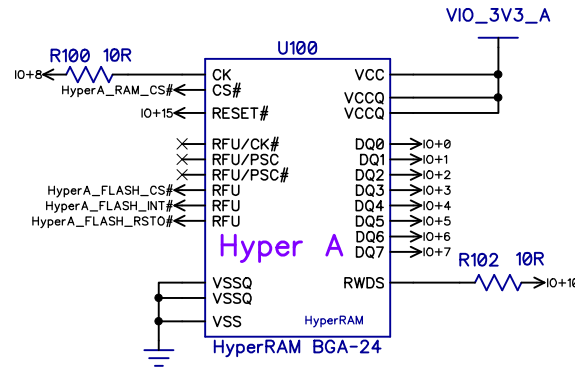


2x6 Socket

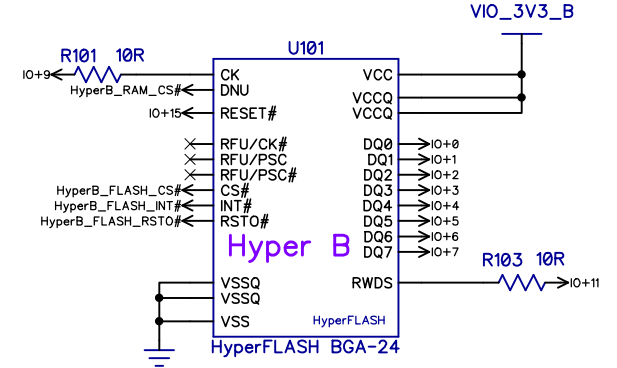
Pullups / Pulldowns



16MB HyperRAM

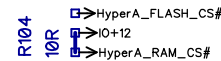


32MB HyperFLASH

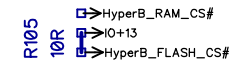


Hyper channel A/B configuration

Select RAM or FLASH for channel A



Select RAM or FLASH for channel B



Each footprint will accept HyperRAM or HyperFLASH. (One of each supplied with PN 64004-ES)

Parallax Inc.
599 Menlo Drive
Rocklin, CA 95765

(916) 624-8333
<http://www.parallax.com/>

P2-ES Eval HyperRAM/Flash Add-on Board

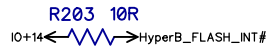
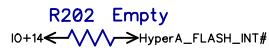
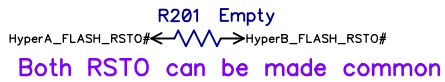
Copyright 2019 Parallax Incorporated. All Rights Reserved.
This is Open Source Hardware. This work is licensed under a Creative Commons Attribution-ShareAlike 4.0 International License. The full text of the license is available from: <http://creativecommons.org/licenses/by-sa/4.0>

Part Number: 64004-ES
Revision: A

Last Update: 21 Jul 2019 (MM)

Decoupling and Breakouts

Optional FLASH and DUAL memory configuration

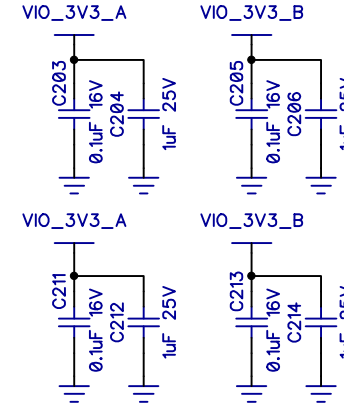


Both INT can go to IO14, or split

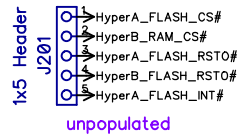


RESET pulled down, or controlled by RESn
(Default Setting: Set IO+15 HIGH to enable memory)

VCCQ decoupling



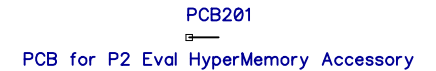
Optional breakout of memory device pins



Mounting holes



BOM only - mfg



Parallax Inc.
599 Menlo Drive
Rocklin, CA 95765

(916) 624-8333
<http://www.parallax.com/>

P2-ES Eval HyperRAM/Flash Add-on Board

Copyright 2019 Parallax Incorporated. All Rights Reserved.
This is Open Source Hardware. This work is licensed under a Creative Commons Attribution-ShareAlike 4.0 International License. The full text of the license is available from: <http://creativecommons.org/licenses/by-sa/4.0>

Part Number: 64004-ES
Revision: A

Last Update: 21 Jul 2019 (MM)

BOM

RefDes	Quantity	Value	Name	Manufacturer
C203, C205, C211, C213	4	0.1uF 16V	200-11203 : CAP-CER,0.1uF,X7R,16V,0402	Murata : GRM155R71C104KA88J
C204, C206, C212, C214	4	1uF 25V	213-01011 : Cap-Cer,1uF,25V,X5R,0402	Taiyo : TMK105BJ105MV-F
J100, J101	2	2x6 Socket	450-01902 : CON-SCKT,2X6,0.1",PT,SMT	Harwin : M20-7810645R
J201	1	1x5 Header	Unpopulated	
J202	1	1x2 Header	Unpopulated	
MH201	1	Mounting Hole Vss	Unpopulated	
PCB201	1	PCB for P2 Eval HyperMemory Accessory	300-64004-ES : Raw PCB P2-ES Memory Bd	
R100, R101, R102, R103, R104, R105, R203	7	10R	150-11018 : RES,10,5%,0603	Panasonic : ERJ-3GEYJ100V
R106, R107, R204	3	10K	150-11031 : RES,10K,5%,0603	Panasonic : ERJ-3GEYJ103V
R201, R202	2	Empty	Unpopulated	
U100	1	HyperRAM BGA-24	602-10034 : 16MB/128Mb HyperRAM BGA-24	ISSI : IS66WVH16M8BLL-100B1LI
U101	1	HyperFLASH BGA-24	602-10035 : 32MB/256Mb HyperFLASH BGA-24	ISSI : IS26KL256S-DABLI00
	28			

Parallax Inc.
599 Menlo Drive
Rocklin, CA 95765

(916) 624-8333
<http://www.parallax.com/>

P2-ES Eval HyperRAM/Flash Add-on Board

Copyright 2019 Parallax Incorporated. All Rights Reserved.
This is Open Source Hardware. This work is licensed under a Creative Commons
Attribution-ShareAlike 4.0 International License. The full text of the license is
available from: <http://creativecommons.org/licenses/by-sa/4.0>

Part Number: 64004-ES
Revision: A

Last Update: 21 Jul 2019 (MM)