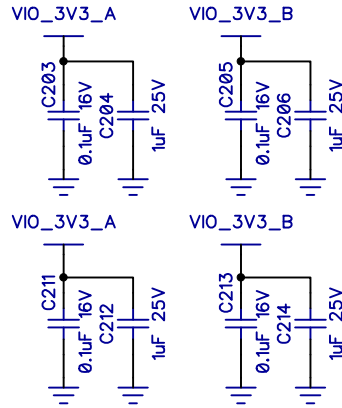
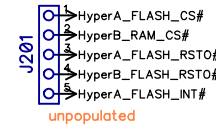
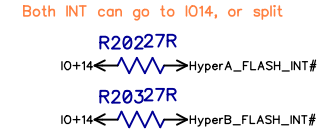
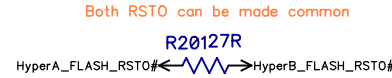


Decoupling and Breakouts

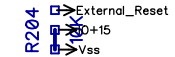
VCCQ Decoupling



Optional FLASH and DUAL Memory configuration



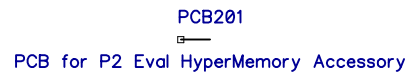
RESET pulled down, or controlled by RESn



Mounting holes



BOM only - mfg



Parallax Inc.
599 Menlo Drive
Rocklin, CA 95765

(916) 624-8333
<http://www.parallax.com/>

Parallax P2X8C4M64P-ES HyperMemory Accessory

ENGINEERING SAMPLE - NOT FOR RESALE
PRE-PRODUCTION EVALUATION

Copyright 2019 Parallax Incorporated. All Rights Reserved.

Part Number: 64004-ES
Revision: A

Last Update: 26 Jun 2019 (MM)