

Printed circuit board holder

"series 20 000"

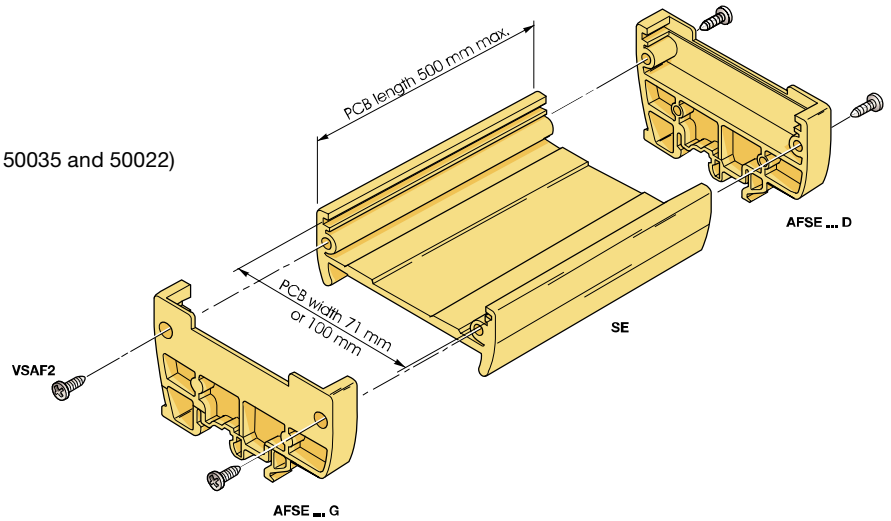
Features

The extruded PVC serie 20 000 holders allow :

- 2 PCB width : 71 mm or 100 mm
- PCB length : 60 mm to 500 mm
- PCB thickness : 1,6 mm
- Assembly snaps onto DIN 1 or DIN 3 (EN 50035 and 50022)

Complete assembly includes :

- 1 body 71 or 100 mm
- 1 left foot section
- 1 right foot section
- 4 screws per foot



Actual PCB width	71 mm 2.795"		100 mm 3.937"		Std packaging
Body L = 500 mm	SE 71	1SNA 103 868 R0600	SE 100	1SNA 103 885 R1000	1 m
Left foot section	AFSE 71 G	1SNA 103 797 R2700	AFSE 100 G	1SNA 103 969 R0300	10
Right foot section	AFSE 71 D	1SNA 103 796 R2600	AFSE 100 D	1SNA 103 968 R0200	10
Screw for foot	VSAF 2	1SNA 178 135 R2100	VSAF 2	1SNA 178 135 R2100	100

Material

Body : (delivered in 1000 mm length)
PVC rigid extruded class M2, orange

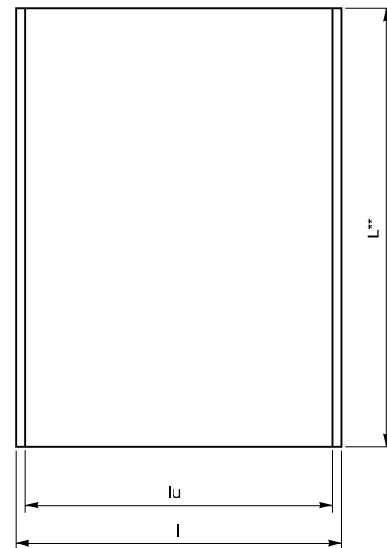
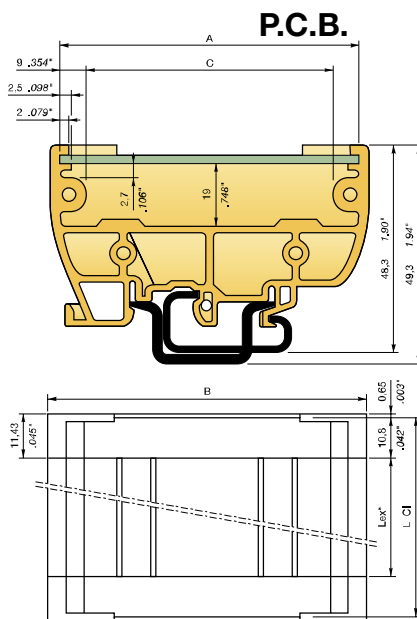
End plate and mounting foot :
Molded polyamide UL 94 V0 orange

Working temperature: -20 °C to +70 °C

Storage temperature: -20 °C to +70 °C

Dimensions

Holder



Extruded rail length $L_{ex} = L_{Cl} - 21,2$ (0,4 mm theoretic clearance between P.C.B. and mounted support)
* Rail length margin $L : + 0,5 .020'' + 0,2 .008''$

** P.C.B. length margin $L : 0 .000'' + 0,2 -.008''$
(1) : For component pins less than 2 mm.
(2) : For component pins longer than 2 mm.

	SE 71		SE 100	
	mm	inch.	mm	inch.
A	71	2.79"	100	3.94"
B	75	2.96"	104	4.09"
C	57,8	2.28"	86,5	2,95"

	SE 71		SE 100	
	mm	inch.	mm	inch.
l	71	2.79"	100	3.94"
lu (1)	66	2.60"	95	3.74"
lu (2)	57,8	2.28"	86,5	2,95"

Overall dimensions = P.C.B. length + 1,5 mm