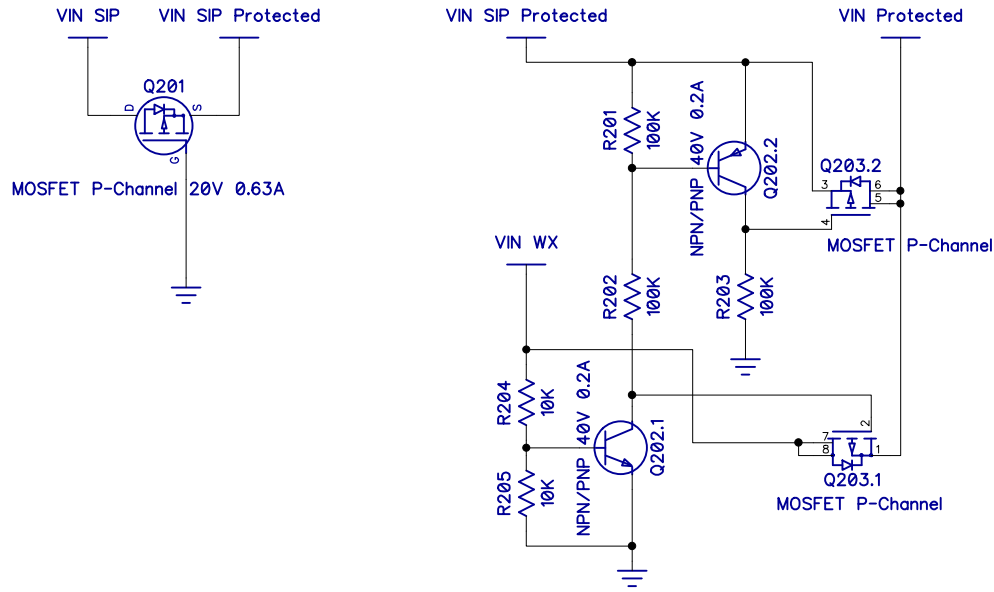
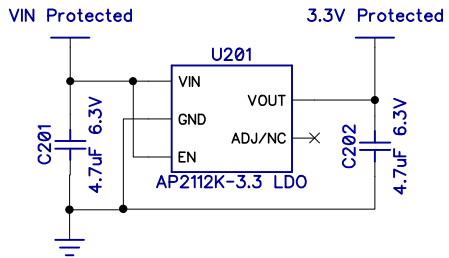


# Power

## VIN Polarity Protection and Voltage Source Selection



## LDO Voltage Regulator



- Power connected to VIN DIP (WX socket) automatically preferred
- VIN DIP is 3.3V
- VIN SIP can be 3.3V - 5V range
- Power source to VIN must provide 500mA
- Buffered I/O Logic High levels set by VIN

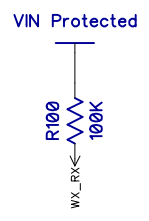
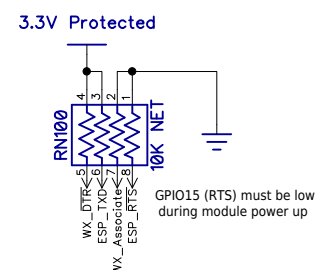
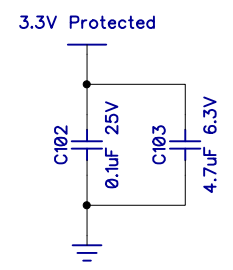
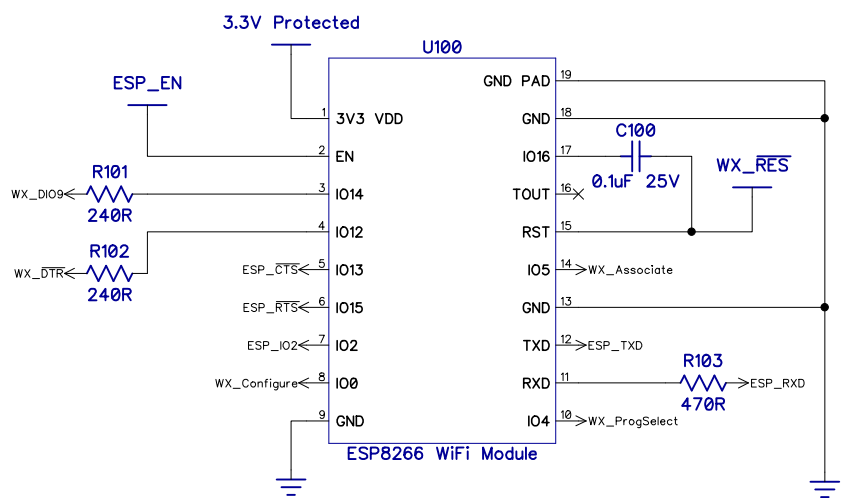
Parallax Inc.  
 599 Menlo Drive  
 Rocklin, CA 95765  
 (916) 624-8333  
<http://www.parallax.com/>

**Parallax WX ESP8266 WiFi Module**

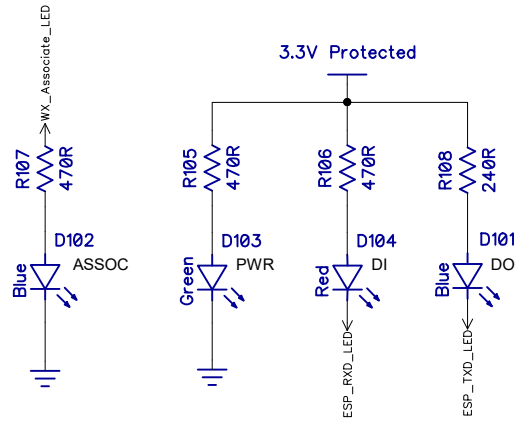
Copyright 2016 Parallax Incorporated. All Rights Reserved.  
 This work is licensed: <http://creativecommons.org/licenses/by-nc-sa/4.0>  
 Creative Commons Attribution-NonCommercial-ShareAlike 4.0 International License

Part Number: 32420  
 Revision: A  
 Updated: 10 May 2016  
 MM

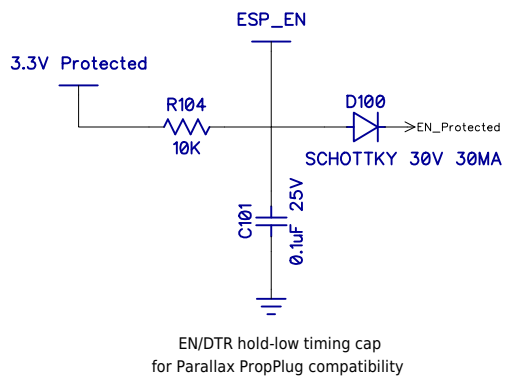
# WiFi Module



## Signal status LED's



## Reset feature



WX\_Configure (aka PGM) pin function:  
 OPEN/HIGH = Normal load/run mode  
 GND = Bootloader programming mode

Parallax Inc.  
 599 Menlo Drive  
 Rocklin, CA 95765

(916) 624-8333  
<http://www.parallax.com/>

## Parallax WX ESP8266 WiFi Module

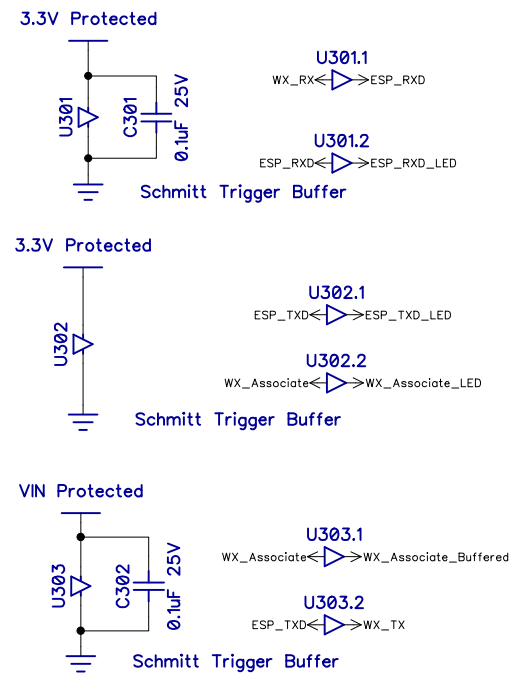
Copyright 2016 Parallax Incorporated. All Rights Reserved.  
 This work is licensed: <http://creativecommons.org/licenses/by-nc-sa/4.0>  
 Creative Commons Attribution-NonCommercial-ShareAlike 4.0 International License

Part Number: 32420  
 Revision: A

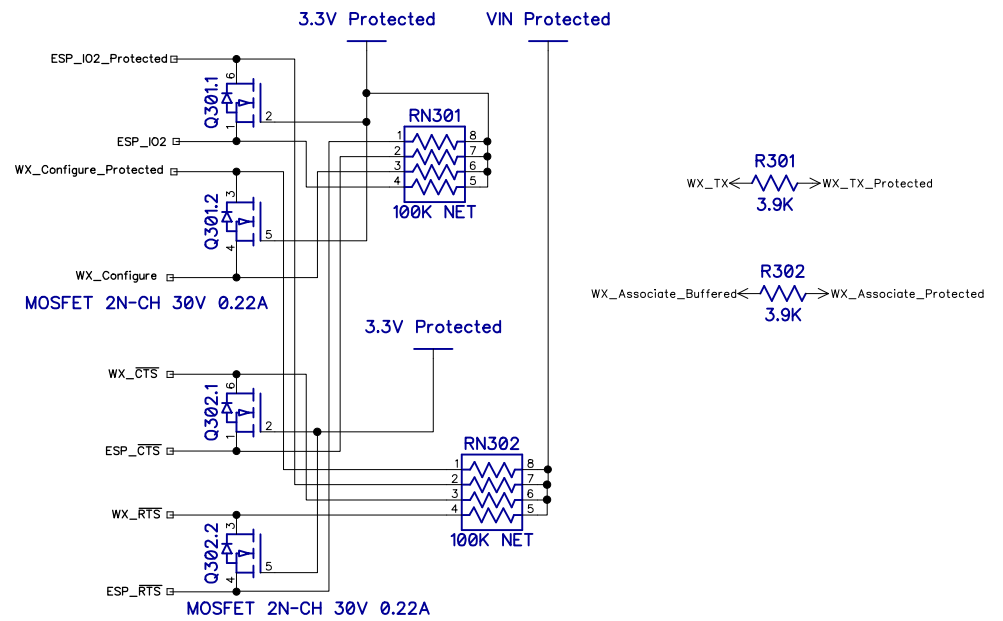
Updated: 10 May 2016  
 MM

# Buffers / IOs

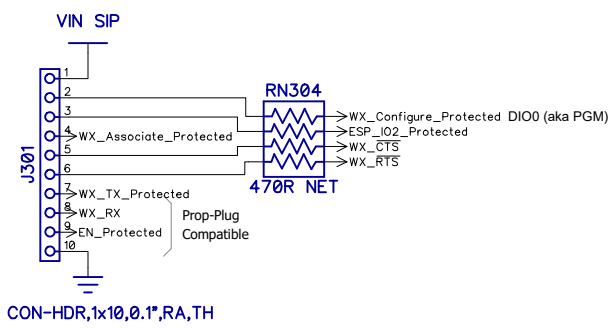
## Buffered TX/RX, Associate LED



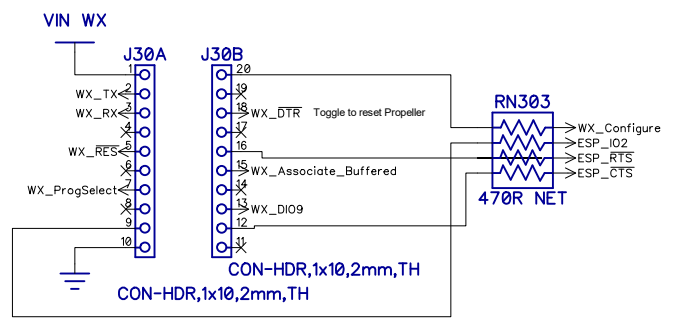
## Bi-directional Level Shifters (DBG, PGM, CTS, RTS)



## SIP 0.1" Breakout pads



## WX Socket



Parallax Inc.  
599 Menlo Drive  
Rocklin, CA 95765

(916) 624-8333  
<http://www.parallax.com/>

# Parallax WX ESP8266 WiFi Module

Copyright 2016 Parallax Incorporated. All Rights Reserved.  
This work is licensed: <http://creativecommons.org/licenses/by-nc-sa/4.0>  
Creative Commons Attribution-NonCommercial-ShareAlike 4.0 International License

Part Number: 32420  
Revision: A

Updated: 10 May 2016  
MM