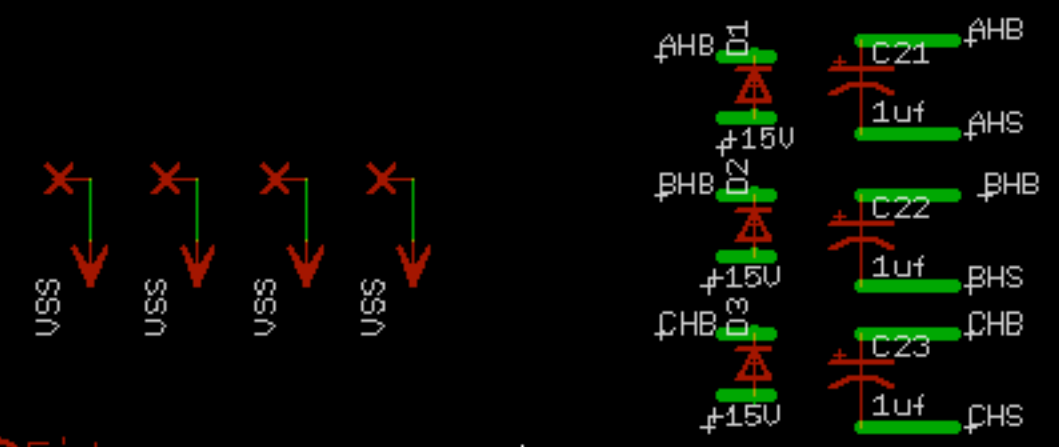
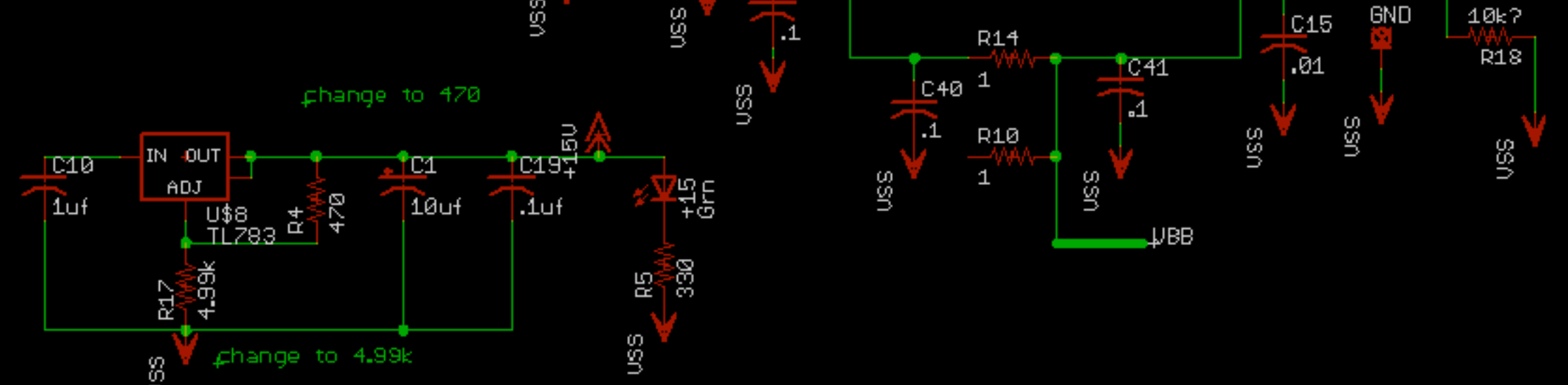
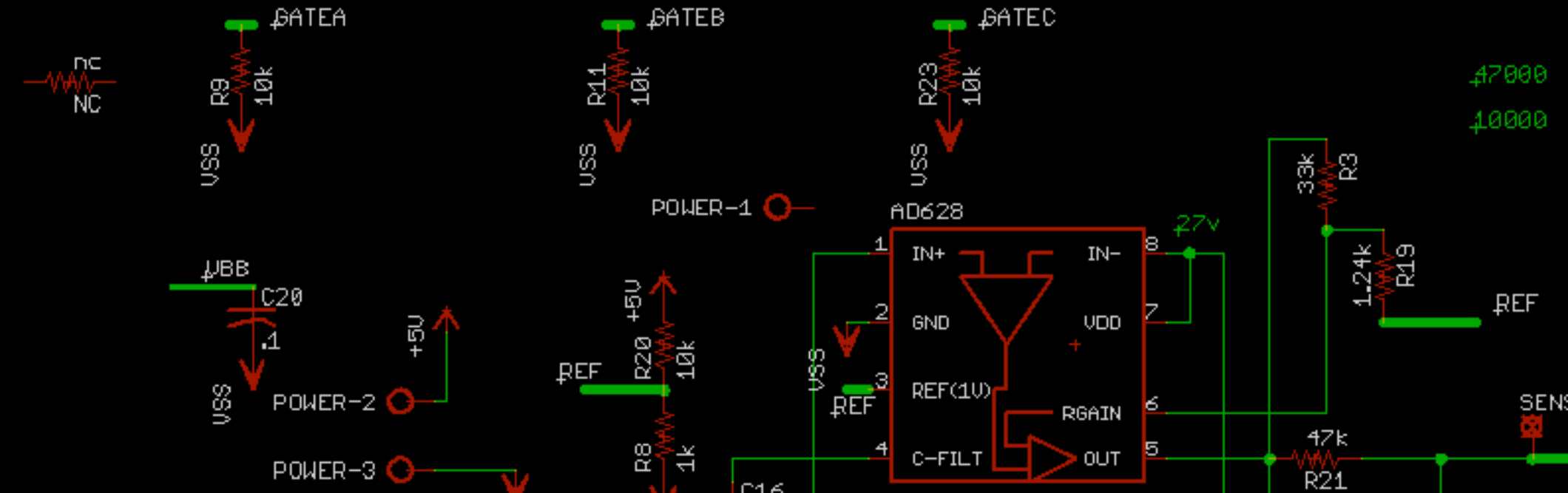
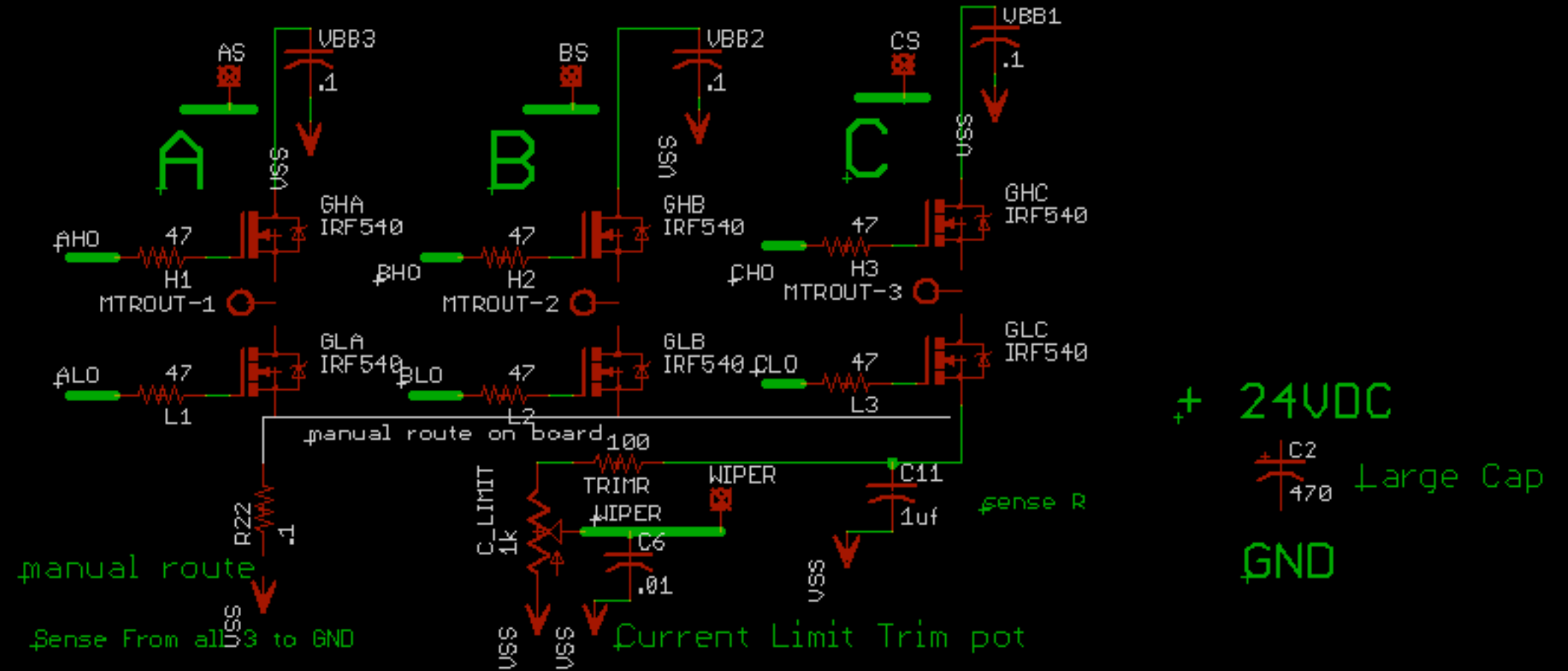
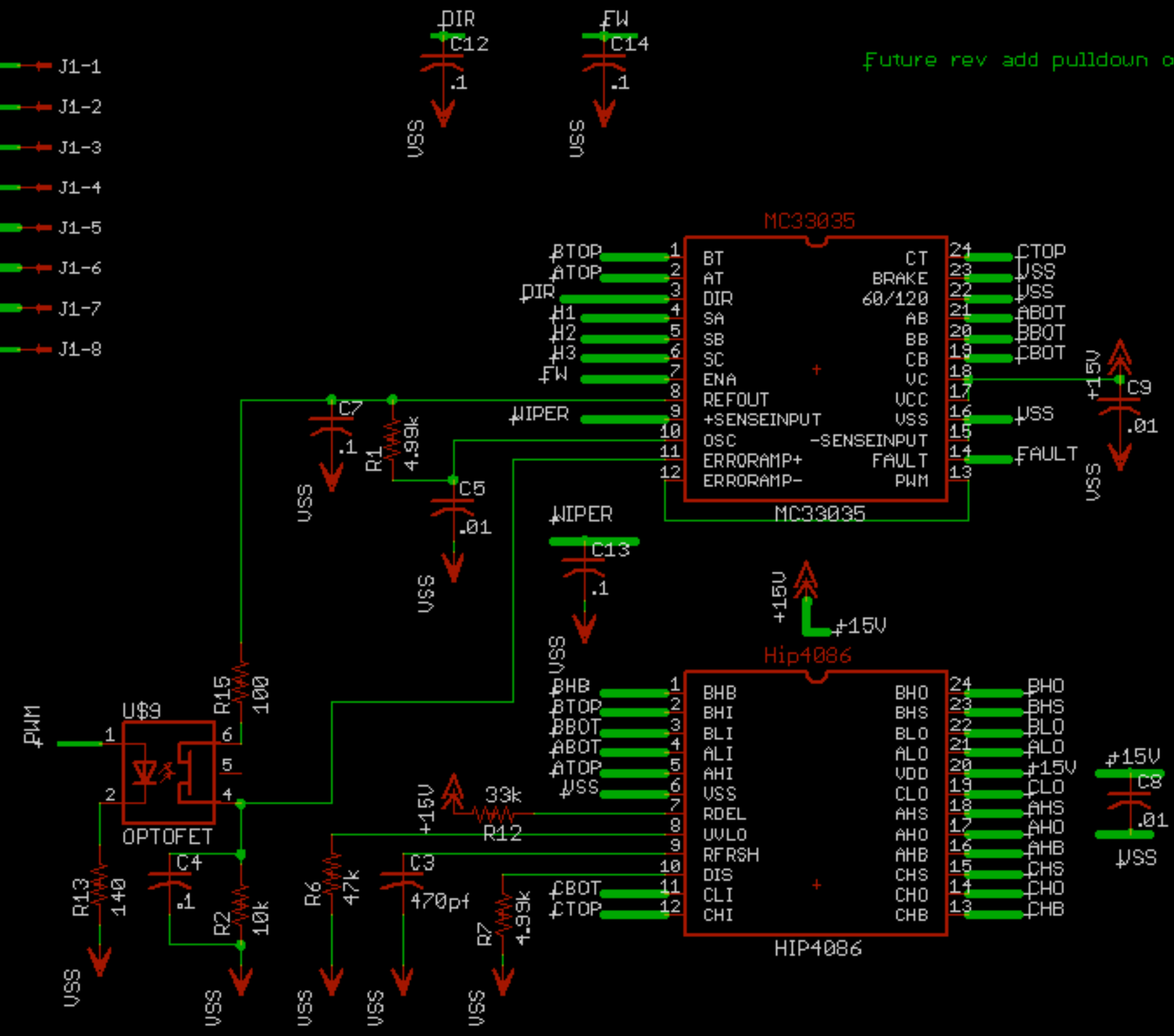


- FW → J1-1
- DIR → J1-2
- NTSNS → J1-3
- PWM → J1-4
- H1 → J1-5
- H2 → J1-6
- H3 → J1-7
- U_{SS} → J1-8

future rev add pulldown on fet ins



Fid Fid