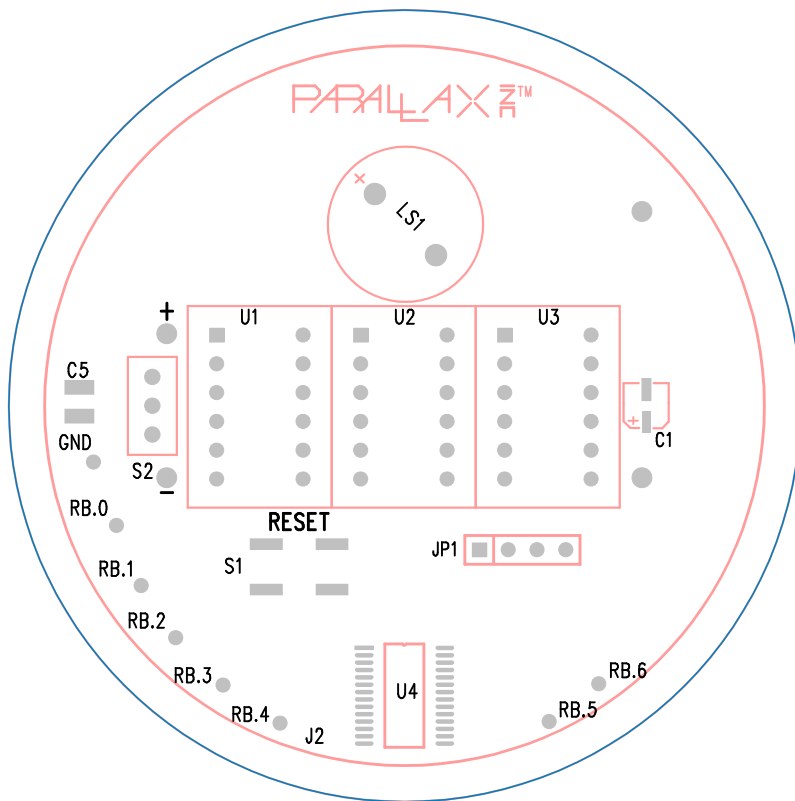


ROBO_B1

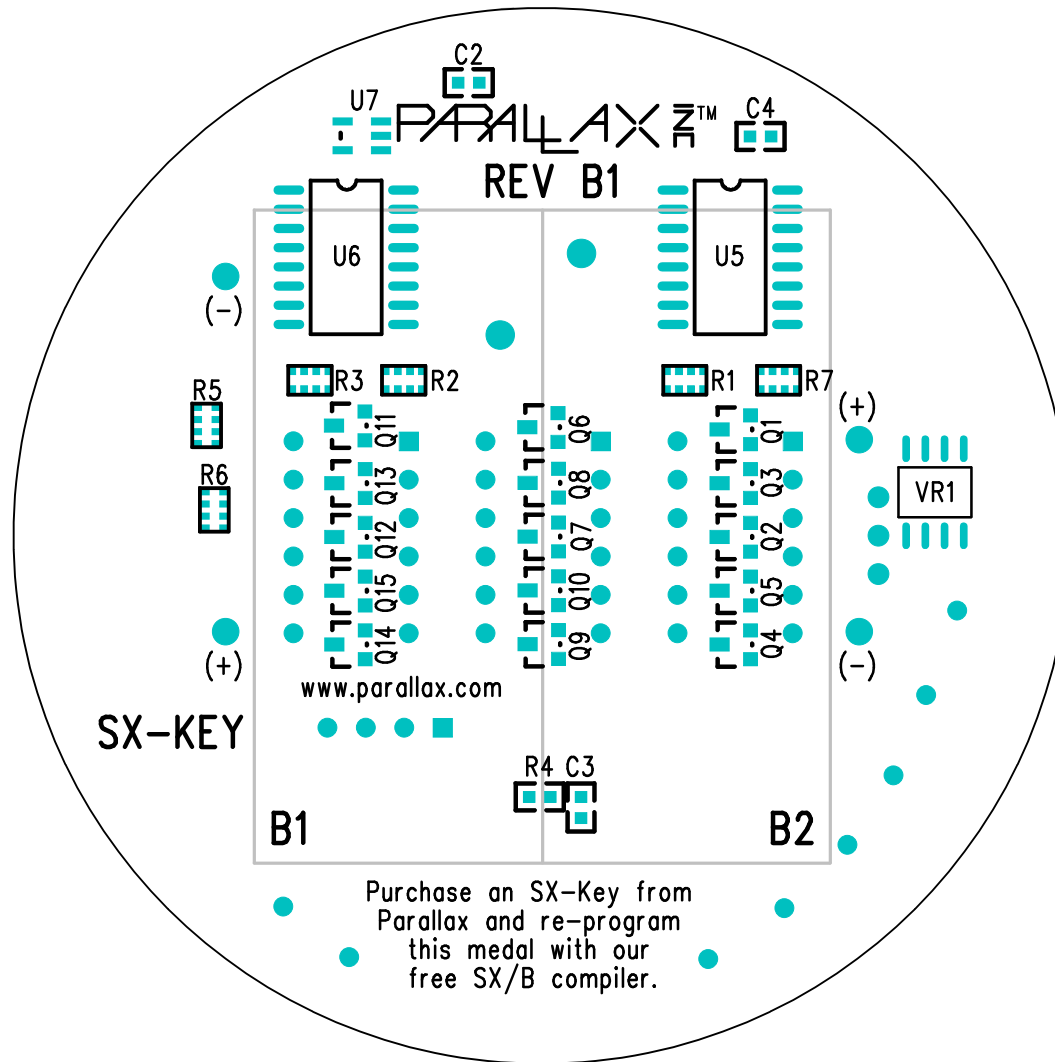


Parts List

- B1,B2 = BATT HOLDER, (BH-CR123A)
- C1 = CAP B SIZE, 10uF, 16V (EEV-HA1C100R)
- C2-C4 = CAP 0603, 0.1uF, 16V (200-11041)
- C5 = CAP A SIZE, 10uF, 16V (216-01060)
- Q1-Q15 = XSTR SOT23, NPN 2.2K (SMBT3904E6327)
- JP1 = HEADER, SIP4 (DO NOT STUFF)
- LS1 = SPEAKER, PIEZO1 (900-00001)
- R1-R3,R7 = RES NTWRK 0603, 220 Ohms (EXB-V8V221JV)
- R4 = RES 0603, 10K (150-11031)
- R5,R6 = RES NTWRK 0603, 22 Ohms (EXB-V8V220JV)
- S1 = SWITCH SMT 6.2mm, SPST (400-10002) (ITT KSC221J)
- S2 = SWITCH, SPDT (OS102011MS2QS1)
- U1-U3 = DISP, DOT MATRIX, 5x7 RED (LTP-757KR)
- U4 = IC SSOP28, SX-28AC/SS (PARALLAX)
- U5,U6 = IC S08W, DECODER BCD to DEC (CD4028BNSR)
- U7 = IC SOT-25, MAX828 INVERTER (SN74AHC1G04DBVR)
- VR1 = IC REGULATOR 5V, (216-01060) (LT1121ACS8-5)

ASSEMBLY INSTRUCTIONS

- 1) Solder parts per IPC-A-610D.
- 2) Finished product to be clean of all flux and foreign material.



BOTTOM ASSEMBLY (MIRRORED)